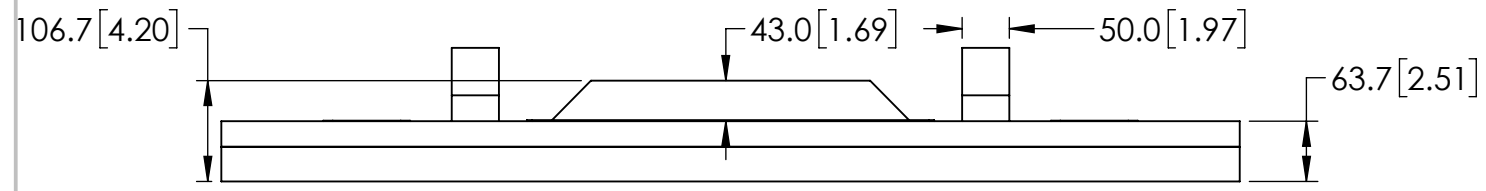


4

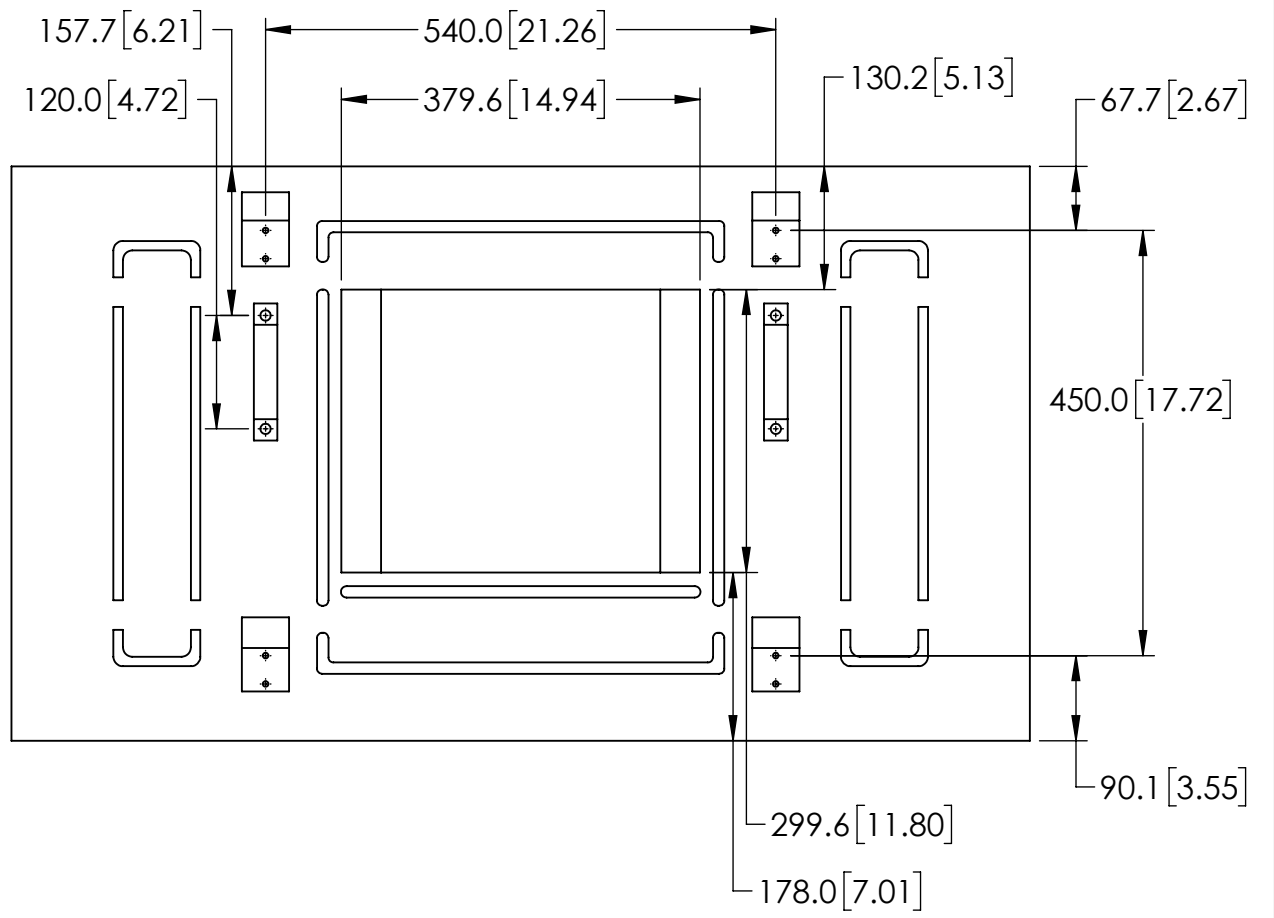
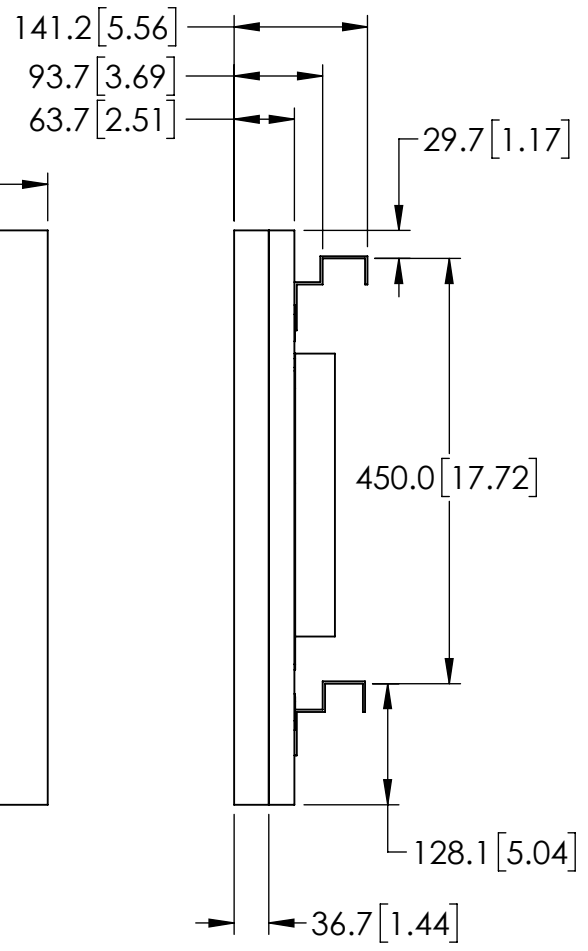
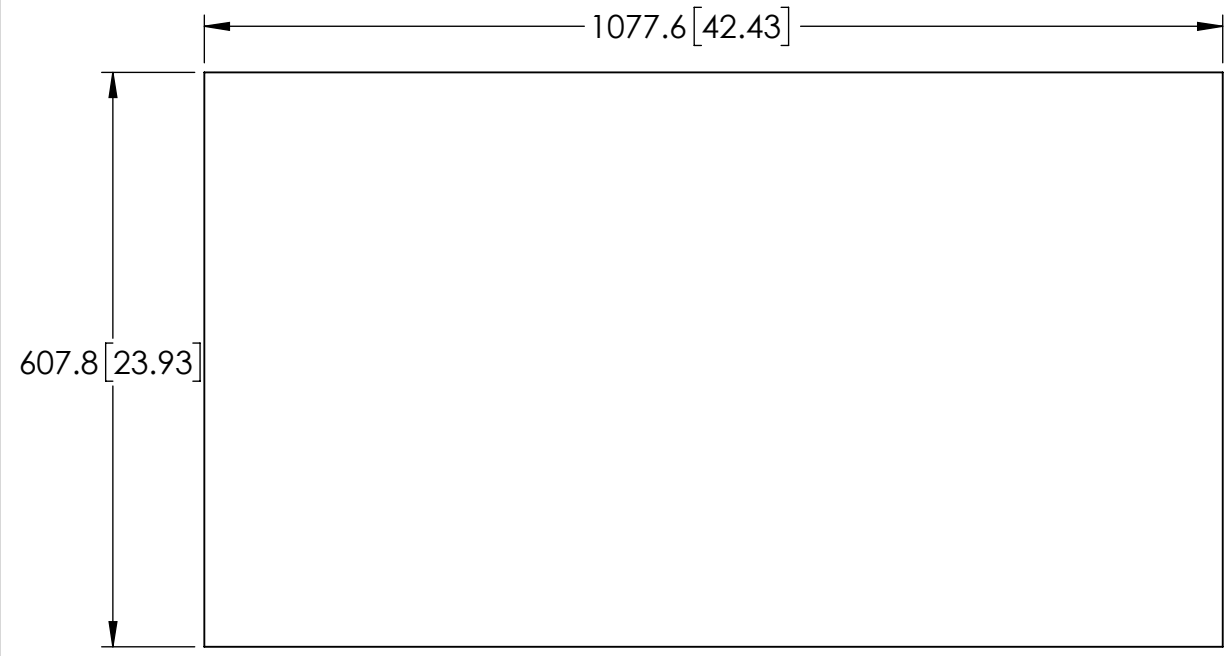
3

2

1

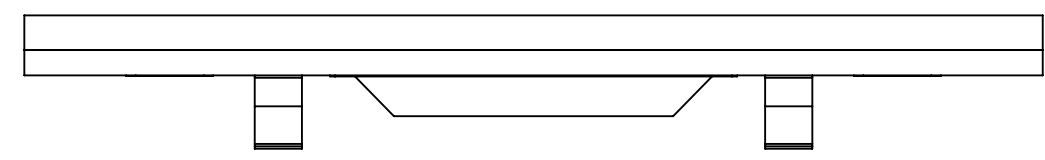


B



B

A



A

PROPRIETARY AND CONFIDENTIAL
 THE INFORMATION CONTAINED IN THIS DRAWING IS THE SOLE PROPERTY OF <INSERT COMPANY NAME HERE>. ANY REPRODUCTION IN PART OR AS A WHOLE WITHOUT THE WRITTEN PERMISSION OF <INSERT COMPANY NAME HERE> IS PROHIBITED.

		UNLESS OTHERWISE SPECIFIED:		NAME	DATE				
		DIMENSIONS ARE IN INCHES		DRAWN	Hamza	4/19/22			
		TOLERANCES:		CHECKED			TITLE:		
		FRACTIONAL ±		ENG APPR.			BL-VW-DISPLAY-49-35MM		
		ANGULAR: MACH ± BEND ±		MFG APPR.			SIZE DWG. NO. REV		
		TWO PLACE DECIMAL ±		Q.A.			B		
		THREE PLACE DECIMAL ±						SCALE: 1:10 WEIGHT: SHEET 1 OF 1	
		INTERPRET GEOMETRIC TOLERANCING PER:							
		MATERIAL							
		FINISH							
NEXT ASSY	USED ON								
APPLICATION		DO NOT SCALE DRAWING							

4

3

2

1