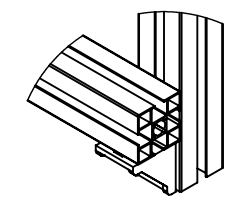
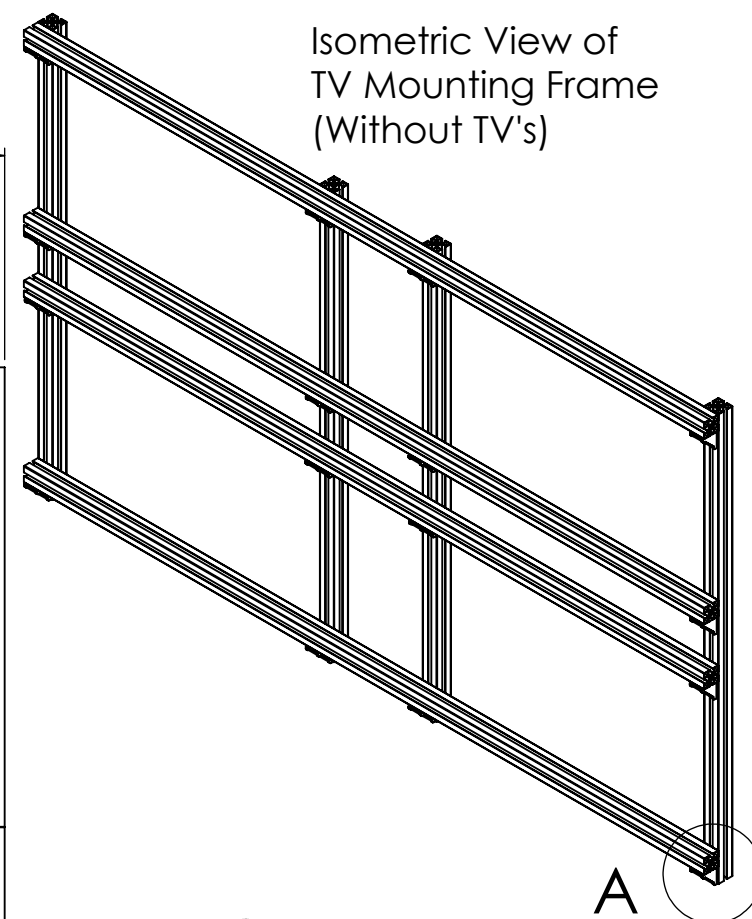
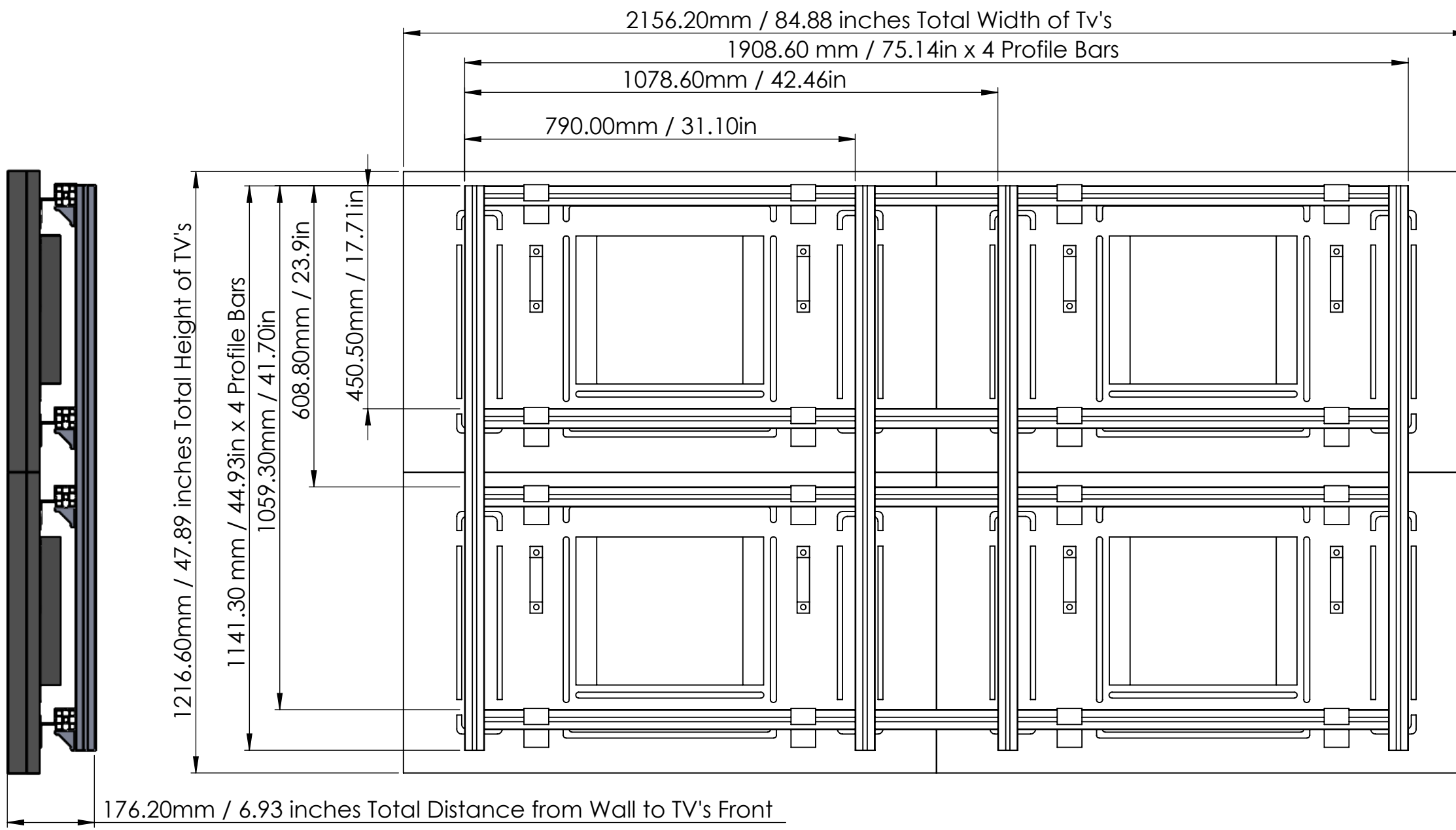


2x2, 49 Inch TV's



Brackets will be used to secure the profile bars on their exact position. Total of 16 such Brackets will be used.

DETAIL A

SCALE 1 : 5

PROPRIETARY AND CONFIDENTIAL
 THE INFORMATION CONTAINED IN THIS DRAWING IS THE SOLE PROPERTY OF <INSERT COMPANY NAME HERE>. ANY REPRODUCTION IN PART OR AS A WHOLE WITHOUT THE WRITTEN PERMISSION OF <INSERT COMPANY NAME HERE> IS PROHIBITED.

		UNLESS OTHERWISE SPECIFIED:		NAME	DATE
		DIMENSIONS ARE IN INCHES		DRAWN	Aeyron 5/31/21
		TOLERANCES:		CHECKED	
		FRACTIONAL ±		ENG APPR.	
		ANGULAR: MACH ± BEND ±		MFG APPR.	
		TWO PLACE DECIMAL ±		Q.A.	
		THREE PLACE DECIMAL ±		COMMENTS:	
		INTERPRET GEOMETRIC TOLERANCING PER:		All the dimensions are in mm.	
		MATERIAL		TITLE: TV Mounting Frame Assembly (2x2 , 49" TV's Back View)	
		FINISH		SIZE	DWG. NO.
NEXT ASSY	USED ON			B	REV
APPLICATION		DO NOT SCALE DRAWING		SCALE: 1:10 WEIGHT:	
				SHEET 1 OF 1	