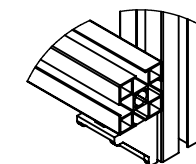
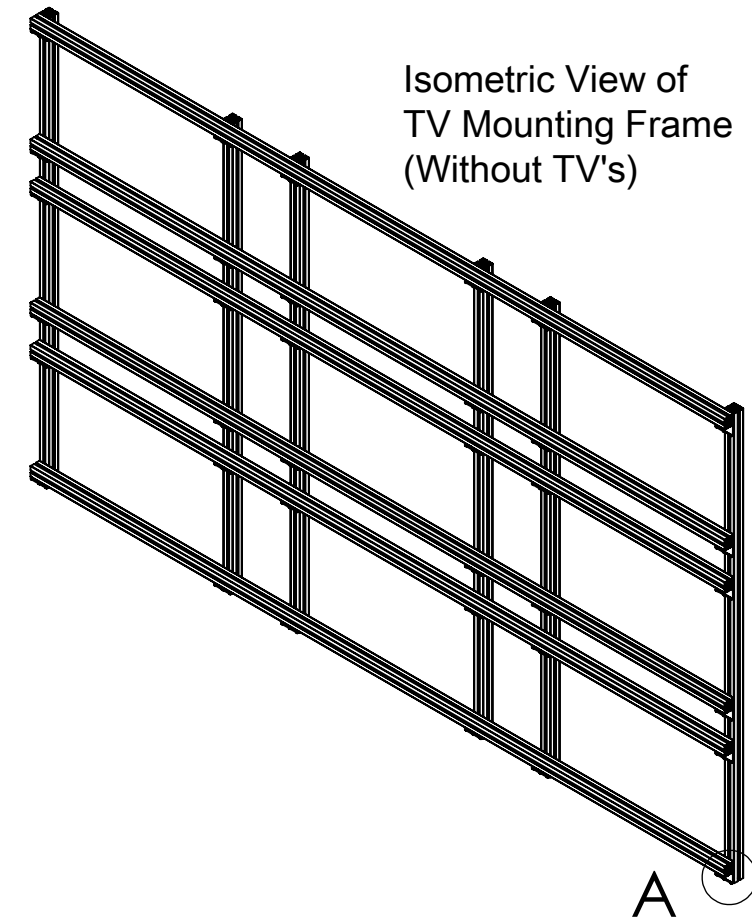
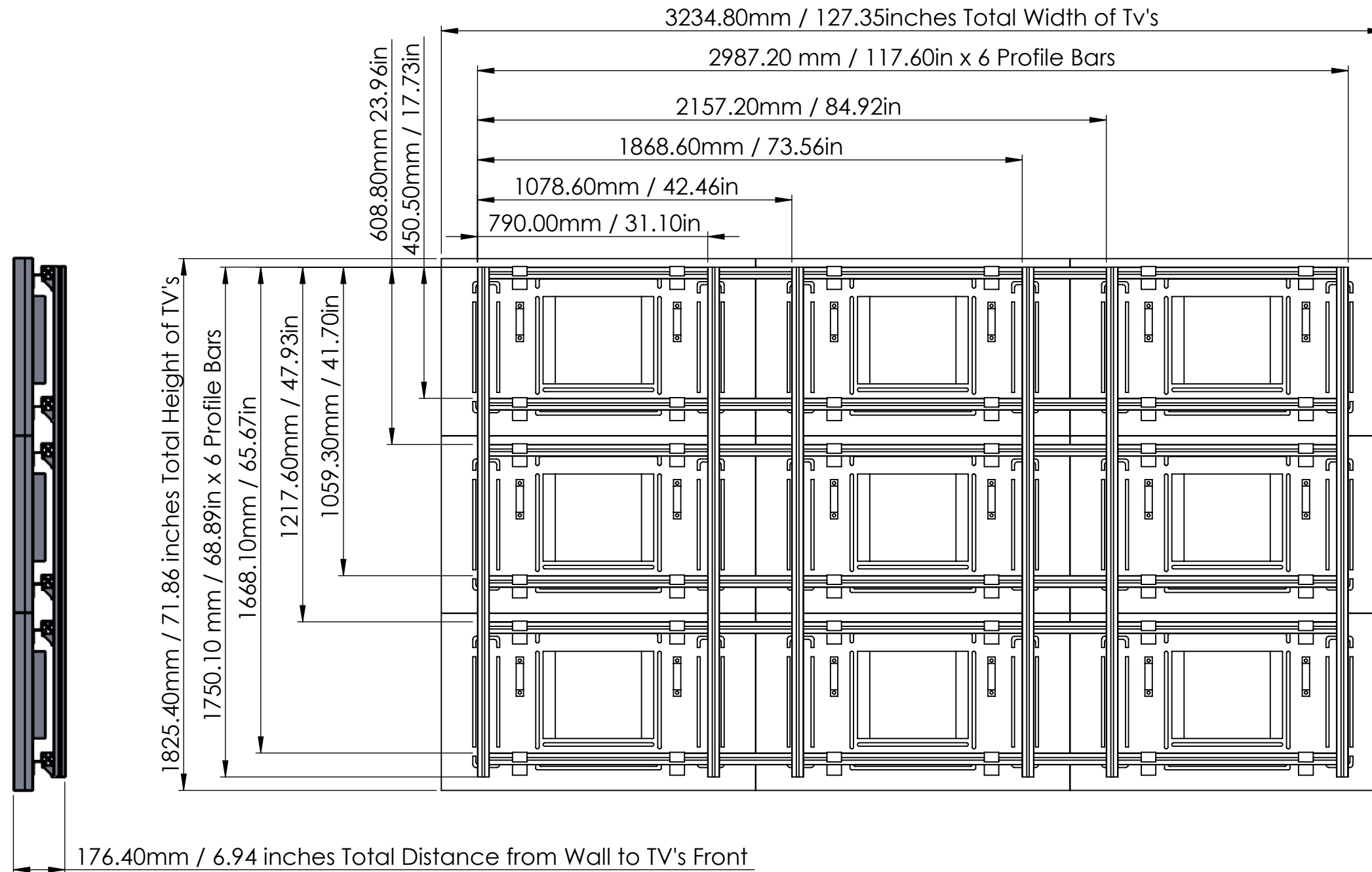


3x3, 49 inch TV's



DETAIL A
SCALE 1 : 5

Brackets will be used to secure the profile bars on their exact position. Total of 36 such Brackets will be used.

PROPRIETARY AND CONFIDENTIAL
THE INFORMATION CONTAINED IN THIS DRAWING IS THE SOLE PROPERTY OF <INSERT COMPANY NAME HERE>. ANY REPRODUCTION IN PART OR AS A WHOLE WITHOUT THE WRITTEN PERMISSION OF <INSERT COMPANY NAME HERE> IS PROHIBITED.

		UNLESS OTHERWISE SPECIFIED:		NAME	DATE
		DIMENSIONS ARE IN INCHES		DRAWN	Aeyron 5/30/21
		TOLERANCES:		CHECKED	
		FRACTIONAL ±		ENG APPR.	
		ANGULAR: MACH ± BEND ±		MFG APPR.	
		TWO PLACE DECIMAL ±		Q.A.	
		THREE PLACE DECIMAL ±		COMMENTS:	
		INTERPRET GEOMETRIC TOLERANCING PER:		All the dimensions are in mm.	
		MATERIAL		TITLE: TV Mounting Frame Assembly (3x3 , 49" TV's Back view)	
		FINISH		SIZE	DWG. NO.
NEXT ASSY	USED ON			B	
APPLICATION		DO NOT SCALE DRAWING		SCALE: 1:20	WEIGHT:
				REV	
				SHEET 1 OF 1	