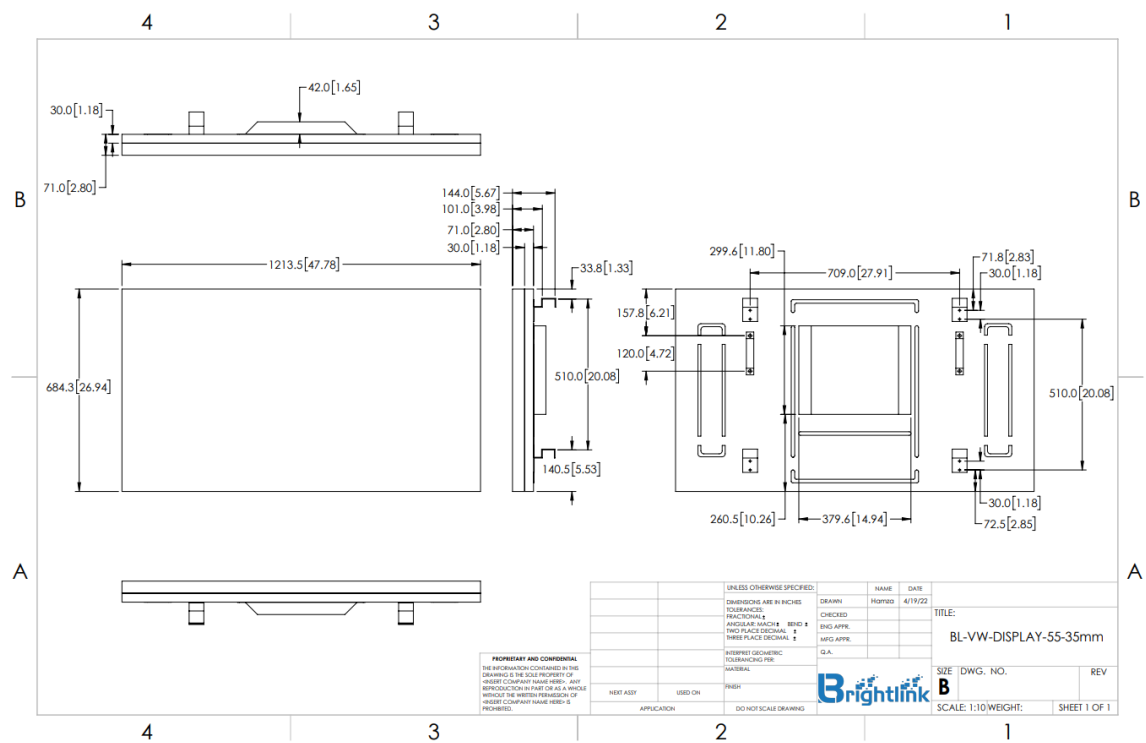


BRIGHTLINK L.G 55" 3.5MM VIDEO WALL DISPLAYS

SKU: BL-VW-DISPLAY-55-35mm



| | | |
|-----------------|--------------------------------------|----------------------|
| LCD Panel | Screen diagonal (Inch/cm) | 55 |
| | Panel brand | LG |
| | Model No. | LD55 |
| | Backlight | LED |
| | resolution | 1920*1080 |
| | Brightness | 500cd/m ² |
| | Contrast | 4000: 1 |
| | Typical reaction time | 8 ms |
| | Pixel pitch | 0.5415*0.5415mm |
| | Visual Angle horizontal/vertical (°) | 178°/178° |
| | Display active screen size | 1210*681 |
| | Colours displayed | 16.7M |
| Net weight (kg) | 16.0KG | |
| Power | Power Supply | 100-240V, 50-60Hz |
| | Power Consumption (W) | ≤240W |

| | | |
|----------------------|-----------------------------|------------------------|
| | Stand-By Consumption (W) | 0.5W |
| Environment | Operating Temperature (°C) | 0°C~50°C |
| | Humidity Range (RH) | 10%~90% |
| | Storage Temperature | -20°C~60°C |
| | Storage Humidity Range (RH) | 10%~90% |
| External Connector | USB | 1 |
| | RS232input | 1 |
| | RS232output | 2 |
| | HDMI | 1 |
| | VGA | 1 |
| | DVI | 1 |
| | IR | 1 |
| Operation/Mechanical | Housing (mm) | 1213.50*684.30*71.02mm |
| | Case color | Black |
| | Combine bezel | 3.5mm |
| accessories | User manual | 1 |
| | Power cable | 1 |
| | network cable | 1 |
| | Remote | 1 |
| | Case color | Case color |
| | Combine bezel | Combine bezel |
