

2x2, 55 Inch TV's

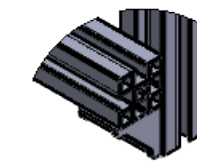
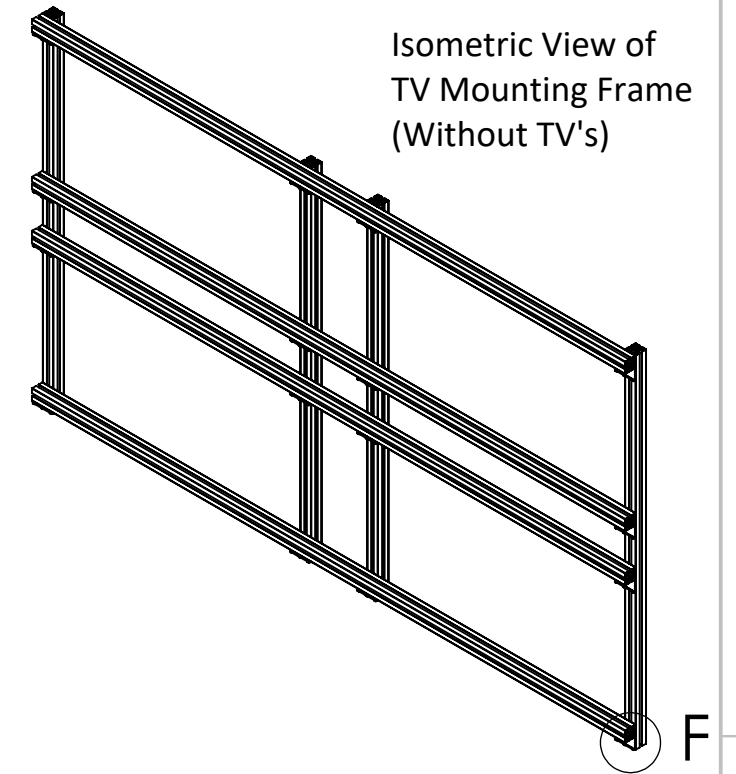
2428.00mm / 95.59 inches Total Width of Tv's

2218.63 mm / 87.34in x 4 Profile Bars

1214.50mm / 47.81in

964.13mm / 37.95in

Isometric View of TV Mounting Frame (Without TV's)



Brackets will be used to secure the profile bars on their exact position. Total of 16 such Brackets will be used.

DETAIL F

SCALE 1 : 5

1369.60mm / 53.92 inches Total Height of TV's

1277.30 mm / 50.2 in x 4 Profile Bars

685.30mm / 26.98in

510.00mm / 20.07in

181.20 mm / 7.13 inches Total Distance from Wall to TV's Front

PROPRIETARY AND CONFIDENTIAL
THE INFORMATION CONTAINED IN THIS DRAWING IS THE SOLE PROPERTY OF <INSERT COMPANY NAME HERE>. ANY REPRODUCTION IN PART OR AS A WHOLE WITHOUT THE WRITTEN PERMISSION OF <INSERT COMPANY NAME HERE> IS PROHIBITED.

UNLESS OTHERWISE SPECIFIED:		NAME	DATE	TITLE: TV Mounting Frame Assembly (2x2 , 55" TV's Back view)	
DIMENSIONS ARE IN INCHES		DRAWN	Aeyron		5/25/21
TOLERANCES: FRACTIONAL ±		CHECKED			
ANGULAR: MACH ± BEND ±		ENG APPR.			
TWO PLACE DECIMAL ±		MFG APPR.			
THREE PLACE DECIMAL ±		Q.A.			
INTERPRET GEOMETRIC TOLERANCING PER:		COMMENTS:	All the dimenisons are in mm		
MATERIAL			SIZE	DWG. NO.	
FINISH			B	REV	
NEXT ASSY	USED ON		SCALE: 1:20	WEIGHT:	
APPLICATION	DO NOT SCALE DRAWING			SHEET 1 OF 1	