



Interactive Flat Panel

Instruction

CONTENTS

01	Device features
02	Security warning and precautions
06	Installation and Connection
10	Remote control
11	Important Statement about Online Services
12	Simple Troubleshooting
14	FAQ
15	Wall mount installation instruction
18	Names and quantity of toxic and hazardous substances and elements within the product

01/ Device Features



Equipped with Android 8.0 intelligent operating system and unique UI design



3GB RAM + 64GB ROM, faster operating speed and larger storage space



Adopt zero bonding technology, the distance between the glass and the screen is 0.5mm, which reduces air refraction and enhances the display effect



Support 6-point writing, 20-point touch; support refined recognition, the minimum pen point diameter recognition can reach 1.6mm



High-performance writing software, supports single-point, multi-point writing and brushstroke writing effects, etc.



Anti-glare screen to protect your eyes



Front USB interface available for dual system, easy to operate



Front Type-C interface, support type-c source transmission



Built-in 8-channel array microphone for more convenient and efficient teleconferencing



Built-in NFC function, with the smart pen, the whiteboard can be called out at any time; support NFC mobile phones transmission at a touch (support Huawei, Samsung, OPPO and other mobile phones, built-in screen transfer software is required)



Dual network port design, LAN-IN+LAN-OUT, can realize exchange functions



Built-in dual network card, support the simultaneous use of wireless Internet and WIFI hotspot, both WIFI and Bluetooth antenna adopt front hidden design



Support Bluetooth function, can be connected with Bluetooth devices such as mobile phones/stereos for wireless data transmission




Wireless screen mirroring, can realize multichannel mirroring, reverse control, remote snapshot, wireless speech, wireless remote control and other functions

02/ Security warning and precautions

Thank you for purchasing our high-performance, multi-functional LED backlight interactive flat panel. During the design process, we thought carefully about how to make sure that this product is safe, and put this product through rigorous tests before allowing it to leave the factory. However, improper installation or use of this product could lead to electrical shock or fire. To ensure the safe and long-term use of this product, and achieve optimal device performance, please carefully read and become familiar with this product's instructions and nameplate labels. Carefully follow the safety precautions provided below and retain these instructions for future

If the following circumstances occur

- Power outages or voltage instability.
- The device is producing unusual sounds or smells.
- The AC cable is damaged.
- The Conference IFP has been damaged by falling, hitting, or collision.
- Any liquid or foreign objects have entered the device's housing.

 If there is leakage of gas or flammable substances, do not plug in or unplug the Conference IFP or other electrical devices. You should immediately close the gas valve and open a window.



Unplug the power plug as shown, and contact authorized professional maintenance personnel in time for maintenance.

Warning(Could cause casualties)

- DO NOT use a power source that is not 100-240V or 50/60HZ.
- All interface cables must be plugged and unplugged when the power is off.
- DO NOT place the Conference IFP in an unstable location, or the device could fall and become damaged, or possibly cause fire.
- DO NOT place the Conference IFP in the following environments:
 1. environments that are exposed to direct light, humid, excessively hot, cold, or dusty;
 2. environments where flammable materials are stored or used;
 3. environments that contain flammable or corrosive gases;
 4. bathroom, kitchen, or similar environments.
- DO NOT connect too many plugs in parallel in the same outlet, or excessive power consumption could cause fire.
- DO NOT place the Conference IFP near open flames (for example, when lighting a candle), or electrical shock or fire may result.
- To avoid contact with water droplets or splashes of water, DO NOT place containers that are filled with liquid on top of the Conference IFP, or electrical shock or fire may result.
- To avoid short-circuiting and product damage, DO NOT insert any sharp objects, metal, or liquids into the signal connector or heat vents, or allow sharp objects, metal, or liquids to come into contact with the signal connector or heat vents, or electrical shock may result.
- DO NOT use damaged or incorrect plugs; ensure that plugs are securely connected to the sockets.
- DO NOT allow the power plug or outlets to become covered in dust or metal deposits.
- DO NOT damage the power cable:
 1. DO NOT modify the power cable;
 2. DO NOT place heavy object on the cable;
 3. Keep the power cables away from heat sources;
 4. When unplugging the power plug, do not pull the power cord.
- MHL function HDMI port output current: 500MA
- USB2.0 port output current: 500MA
- USB3.0 port output current: 1A

- OPS port output voltage: $\leq 130W$
- The holes on the device's housing are designed for ventilation, to ensure long-term reliability of the device's internal components, and prevent the device from overheating. When placing this device somewhere, ensure that the device's vents are not obstructed.
- DO NOT touch the plug if your hands are wet, or you may experience electrical shock.

- DO NOT use the Smart Conference IFP during a storm, especially if there is lightning. If such weather occurs, immediately unplug the power supply and antenna, to prevent damage from lightning strikes.
- DO NOT in any way disassemble the Conference IFP, or electrical shock or fire may result. All repairs should be completed by a professional technician.

CAUTIONS(May cause bodily harm or property damage)

- DO NOT place the device in a place that is humid or exposed to dripping liquid.
- DO NOT insert anything inside the device's housing.
- DO NOT place heavy objects on the device.
- DO NOT place the device in a location that is unstable or slanted.
- DO NOT place the device in a location that is exposed to direct sunlight, an electric heater, or near other sources of strong heat or light.
- DO NOT place the device near devices that emit strong radiation.
- DO NOT allow children to climb on the Smart Conferencing Tablet.

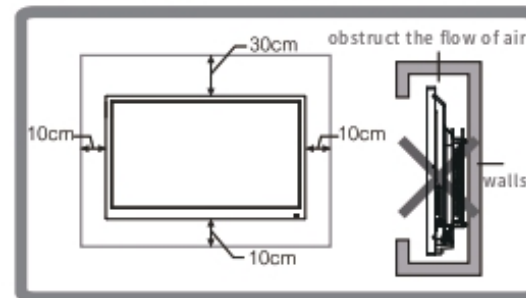
- Place small accessories in places that are out of reach of children, to minimize the risk of choking.
- If you will not be using the Conference IFP for an extended period of time, unplug the power cable.
- If you are changing the location or angle of the Conference IFP, unplug all power cables and move the device slowly to avoid dropping it.
- DO NOT wipe or tap the device 's LCD screen with hard objects, or forcefully twist or press the LCD screen.
- DO NOT immediately use the device after transporting it from a low temperature environment to a high temperature environment, or condensation could occur on the device's internal components, causing the device to malfunction.

- When cleaning the Conference IFP, unplug the power source and wipe it using a soft cloth. Do not use any industrial chemical reagents, and prevent foreign objects from entering the device's housing. Improper cleaning (such as the use of detergent, water, etc.) could damage the product's exterior, remove content printed on the device's surface, or enter the device and damage its internal components, causing the display to be unable to function.
- If the same image or text is displayed device's screen for long periods of time, this may cause screen ghosting, which may not disappear for a long period of time after the device is powered off. Please note that this is not covered by the warranty.
- Unplugging this device's power cable can disconnect the Conference IFP from a power source.
- If the LCD screen is cracked and the screen's liquid splashes on your skin, immediately rinse your skin with clean water for 15 minutes and consult a doctor.
- When moving the Conference IFP with your bare hands, please grab the device's four corners and hold the bottom; do not exert pressure on the tablet.
- The power cable should be completely plugged into the power outlet. A loose power cable could cause sparks or fire.
- This device disconnects with a power cable or appliance coupler, which should be easy to disconnect without excessive force.

- Healthy use of the Conference IFP: please use the Conference IFP under suitable lighting conditions. Using the Conference IFP in an environment with insufficient lighting for long periods of time could damage your vision.
- All technical specifications included in this instruction manual or printed on the product packaging may be subject to change without notice. If there are differences between the instruction manual and the actual product, refer to the actual device operation.

Ventilation

- Please maintain sufficient space around the Conference IFP as shown below.
- DO NOT obstruct the device's vents or insert any objects into the device's housing.
- To ensure that the device remains properly ventilated, DO NOT place this device in an area with limited space, such as on a bookshelf or embedded shelf. The Conference IFP's surroundings should be properly ventilated.



Installation on a wall
(Sketch Map)

03/ Installation and Connection

Installation Tips

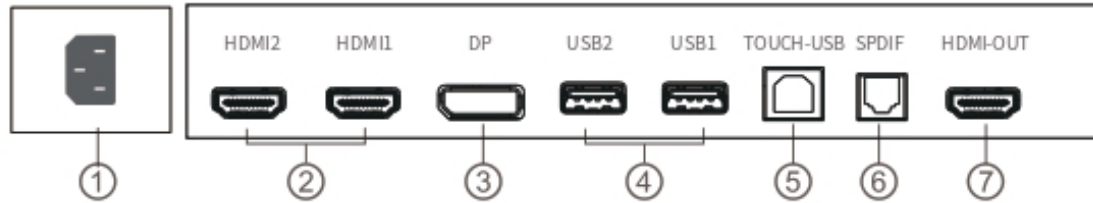
- The conference panel should be installed near an easy-to-plug AC power outlet.
- To ensure safety, we recommend that you use an approved Conference IFP wall mount or base.
- To avoid injury, place this device on a level surface or attach it securely to a wall.
- When installing the device on a wall, ask for help from a professional technician. Improper installation may cause the Conference IFP to be unstable.
- DO NOT install the Conference IFP in a place that may be disturbed by mechanical vibrations.
- DO NOT install the Conference IFP in a location that is directly facing an air conditioner, or condensation may occur, causing the device to malfunction.
- DO NOT install the Conference IFP in a place where strong magnetic fields are present, or this could interfere with or damage the device.



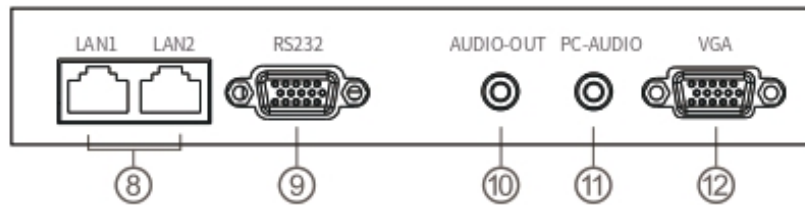
Please note

If you have any questions about how to operate, adjust, or connect this touch device, please contact the dealer; if the device is not working properly, immediately unplug the power cable and consult a dealer. This is a “Class A” product and may produce radio interference during regular use. Under these circumstances, the user may need to take practical measures.

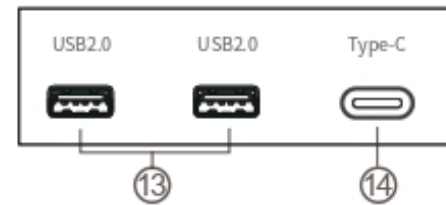
Ports



(Right side of the back)



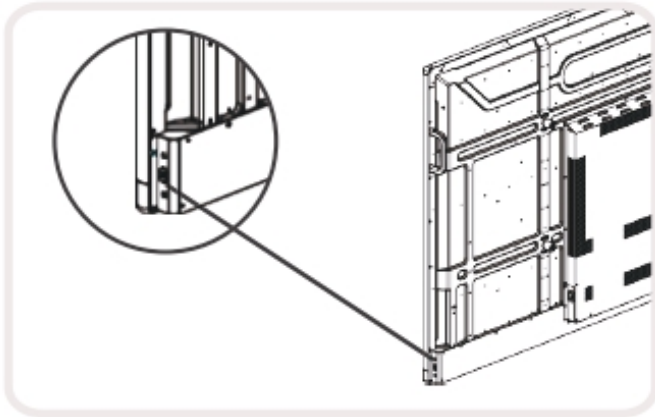
(Lower right side of the back)



(Front interfaces)

- | | | | |
|---------------------------|------------------|------------------|---------------|
| ① Power supply input port | ⑤ TOUCH-USB port | ⑨ RS232 port | ⑬ USB2.0 port |
| ② HDMI port | ⑥ SPDIF port | ⑩ AUDIO-OUT port | ⑭ Type-C port |
| ③ DP port | ⑦ HDMI-OUT port | ⑪ PC-AUDIO port | |
| ④ USB port | ⑧ LAN port | ⑫ VGA port | |

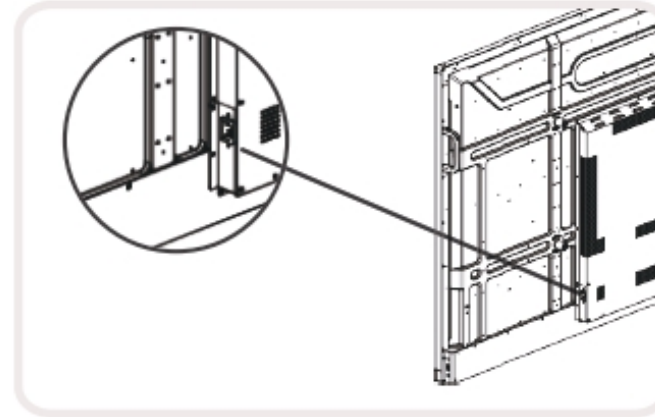
Tablet Control Buttons



1

Standby button

controls the device's back light and powers the device on/off

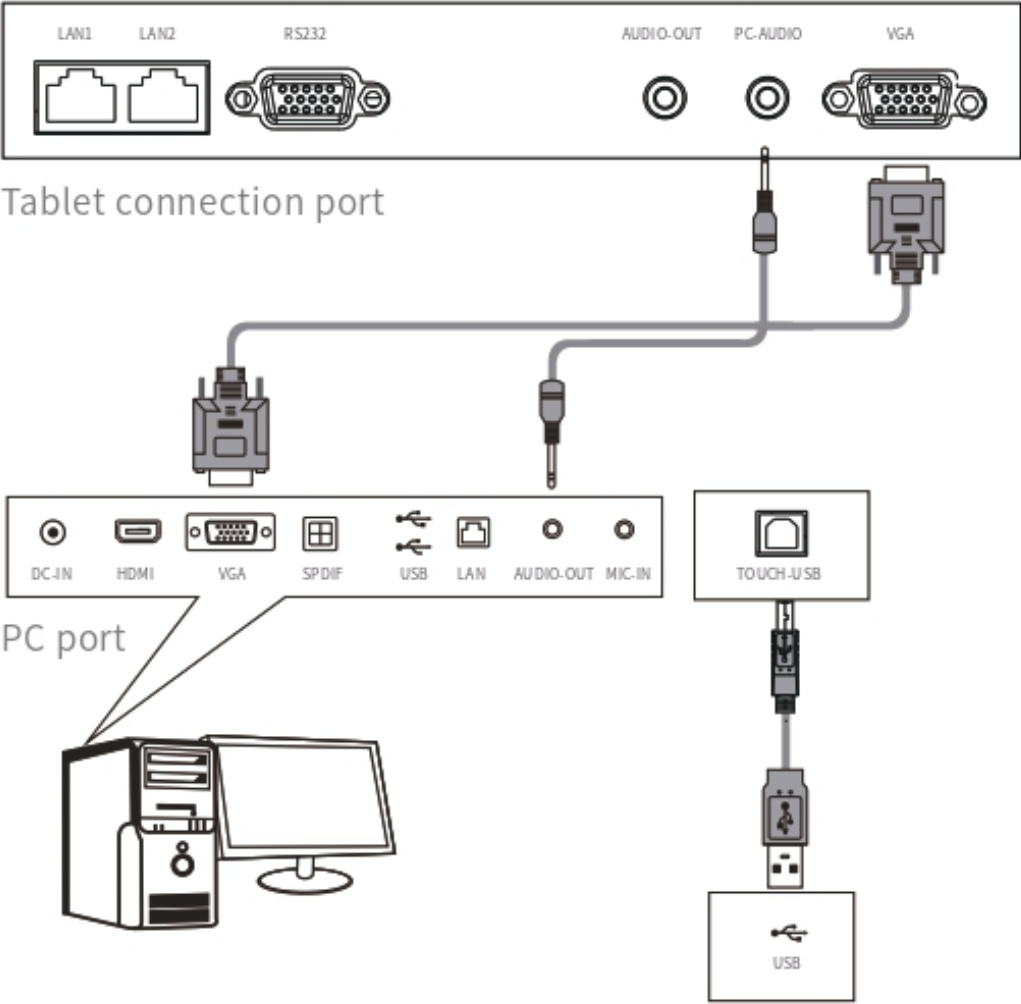


2

Power outlet

device main power supply port (port location may vary for device models with different dimensions.)

Connection Diagram

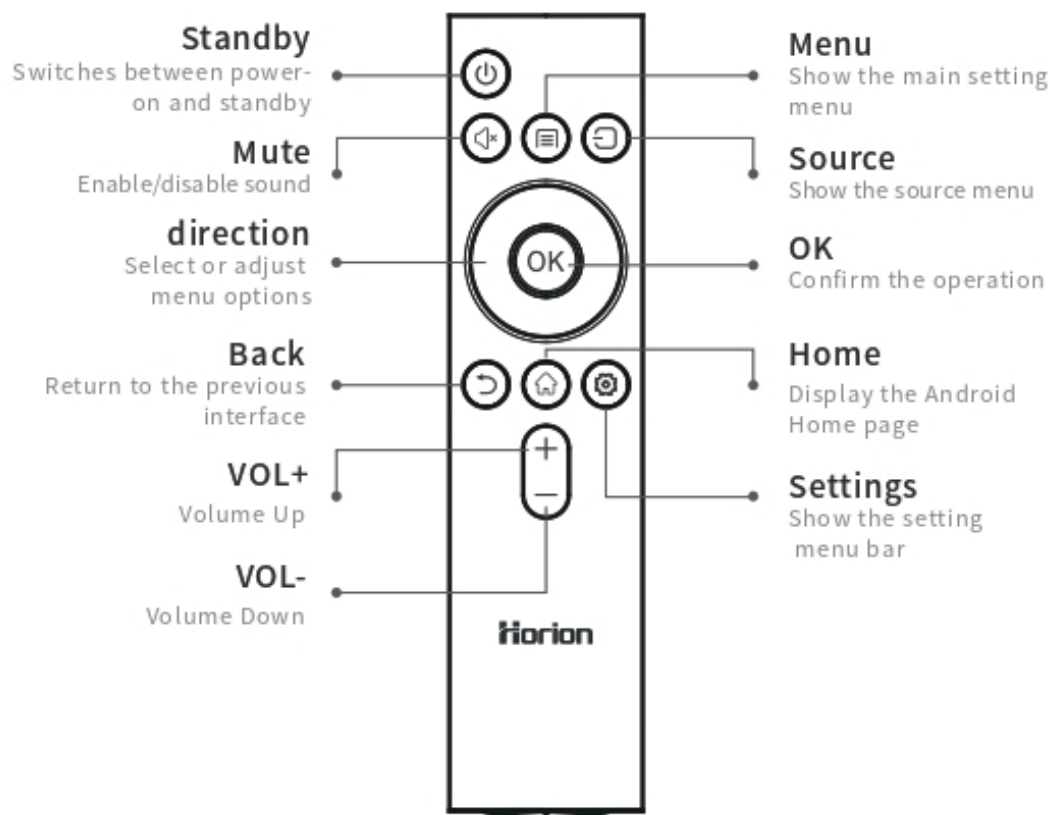


(PC and Tablet Connection Diagram)

! Note

Unplug the device's power cable before installing or removing this device!(The PC connection diagram included in this manual is for reference only. The actual product may vary.)

04/ Remote control



Note: The actual appearance of the remote control may be different from the picture, please refer to the actual product.

Installing Remote Control Batteries

Remove the battery compartment casing on the back of the remote control (forcefully press downwards on the indentation located on the back of the remote control's casing), insert two AAA batteries (No. 7, 1.5V). Ensure that the battery's positive and negative nodes are properly aligned with the "+" and "-" symbols inside the battery compartment "-", and close the battery casing.

Remote Control Precautions

- When using the remote control, be sure to point it towards the signal receptor. Items placed between the remote control and the remote control signal receptor may affect normal operation.
- DO NOT subject the remote control to intense vibrations. In addition, DO NOT place the remote control in direct sunlight, or the heat may cause the remote control to warp.
- If the device's remote control signal receptor is placed

- If the device's remote control signal receptor is placed in direct sunlight or intense light, the remote control may malfunction. If this occurs, changing the lighting conditions or the angle of the device, or move the remote closer to the remote control signal receptor.
- DO NOT dispose of the batteries in a fire or attempt to recharge or disassemble batteries. DO NOT attempt to recharge, short circuit, disassemble, heat, or burn used batteries. Please dispose of used batteries in accordance with environmental regulations. DO NOT expose batteries to direct sunlight, heat sources, or excessively hot environments.
- DO NOT use different battery types. DO NOT mix old batteries with new batteries. Always replace all batteries at the same time.
- Low battery can shorten the remote control's effective distance. If this occurs, replace the remote control's batteries. If you will not be using the remote control for a long period of time or if the remote control's batteries are exhausted, remove the batteries to prevent battery leakage or corrosion in the remote control which could damage the remote control and make it unusable.

05/ Important Statement about Online Services

Any content or services obtained using this device belong to third parties, and is protected by copyright, patent, trademark, and other intellectual property laws. These content and services are provided to you for personal, non-commercial use. You may not use any of these content or services unless given commercial authorization by the owner of the content or services.

If you or a third party experiences any direct, indirect, or sudden loss or damages when using this device to visit any content, services, information, or third party software, Horion will assume no responsibility, under any circumstances.

Third party services may change, be removed, or cease without providing any prior notice. Horion does not guaranty that any of these services or content will remain available at any time.

Horion is not responsible for services related to services or content, and will assume not responsibility for customer service. For any questions or requests regarding services or content, please directly contact the corresponding content or service provider.

06/ simple Troubleshooting

Symptom	Possible Cause	Solution
The screen is not displaying anything, there is no sound, and the indicator lights are not on	The power cable is loose or disconnected	Check to see if the power cable is properly connected
The Conference IFP's whiteboard image has spots and lines or stripe interference	There is signal interference caused by vehicles, neon, hair dryers, etc.	Do not use a hair dryer near the device; adjust the antenna direction to reduce interference
The computer display image is offset, does not fill the screen, exceeds the screen's boundaries, or is hazy.	<ol style="list-style-type: none"> 1.Improper adjustment 2.The display mode is incorrect 	<ol style="list-style-type: none"> 1.Use an automatic adjustment tool 2.Enter the "PC Screen Adjustment" interface to adjust the horizontal or vertical position 3.Use the recommended mode
Remote control distance is shortened and the remote is unresponsive	<ol style="list-style-type: none"> 1.The device's remote control signal receptor is blocked 2.The remote control's battery is exhausted 	<ol style="list-style-type: none"> 1.Remove the obstructing object to avoid obstructing the device's remote control's receptor 2.Replace the battery
The device is freezing, crashing, or cannot be operated	<ol style="list-style-type: none"> 1.Too many applications are running 2.Interference in the external environment (such as flashing lights or static electricity, etc.) is preventing the device from operating normally 	Unplug the device's power source, wait for 1-2 minutes before plugging the device back in, and then power on the device
The touch screen is reacting slowly or malfunctioning	Too many applications are running	Close large application or restart the device
The OPS cannot boot normally, does not display, and does not respond to touch	The OPS is not properly fixed	Re-install the OPS computer

Symptom	Possible Cause	Solution
Touch is offset	This is caused by the computer's coordinates system, and must be corrected	Enter the control panel and select correction processing
The external computer touch is not working	1.The signal source is not matched with the USB port that the touch USB cable is plugged into 2.The touch USB cable is too long or of poor quality	1.Inspect and replace the touch USB cable's corresponding port 2.Replace the cable with a touch USB cable that is shorter or of higher quality
While the device is turned on, it will automatically shut down in an abnormal way	1.Is the Sleep function enabled? 2.See if the input source's channel has signal	1.Refer to the general computer to check item troubleshooting 2.Access signal test
The indicator light is red, and the device will not turn on	The indicator light is red, and the device will not turn on	Use the remote control or press the "On" button
Computer function is abnormal: the Conferencing Device cannot display content on an external computer screen;	Channels are not paired	Check if the current channel you are on is correct
The sound function is abnormal: the device's screen has no sound	If the user is connected to a computer, check if the sound channel is correctly connected or if the mute function is enabled on the external device or the current unit	Check the sound channel and try adjusting volume using the VOL+/- buttons
The touch handwriting function is not working	There are other objects on the touchscreen, like paper, or you sleeve, etc.;	The stylus or your finger are contacting the touchscreen at a 90 degree angle

07/FAQ

1. Why does the screen often appear foggy?

To ensure the safety of the screen, a layer of tempered glass has been added onto the screen's exterior. A small gap is left to allow heat to dissipate between the screen and the protective glass, and reserve a channel for airflow. Fogging usually occurs when there is a large temperature difference between the screen and the environment. When hot air comes into contact with the lower-temperature glass surface, condensation will cause fog to appear. Fog will not prevent the device from functioning normally, and will usually disappear after the device has been turned on for a few

2. Why is the startup time different for different conference rooms?

Generally, viruses from external USB drives or the internet, insufficient hard disk space, or system disc damage will slow the device's booting time. For further details, please call our nation-wide service hotline at 4006-818-999 to receive remote diagnosis and assistance from a professional technician.

3. Why does the external notebook device have no sound?

If the device is connected with a VGA cable, only images are being transmitted. You must connect the device to a sound channel. Similarly, if you connect an audio-only cable, the cable will be unable to transmit both images and sound. You must connect both a VGA cable and an audio cable, and recognize the VGA channel, or use an HDMI cable.

4. I need more writing pens than the amount provided with the device. Is there anything that works as an effective substitute for the writing pen without damaging the screen?

Try writing with your finger or a capacitor/electromagnetic pen; if necessary, you can purchase by contacting the sales staff or calling our nationwide service hotline: 4006-818-999.

5. After using the device for a short while, the screen seems to overheat. Is that normal? Will that negatively impact the device? conference rooms?

It is normal for the screen to heat up (dissipate heat), and this will not impact device performance. This device features the industry's leading heat dissipation design, which is an industry benchmark, and meets national recommended standards.

6. Will using the device for a long period of time damage my eyesight?

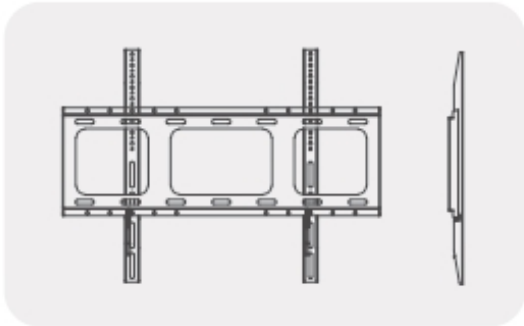
The human eye can recognize flashing lights of up to 50Hz, and will detect anything under 50Hz. Constantly adapting to flashing lights will cause the eye to feel fatigued. Our device's LCD screen uses flashing lights in the range of 60Hz-120Hz, so the eye does not detect screen flashes. As a result, our product will cause users to feel less fatigue than other products.

08/ Wall Mount Installation Instruction

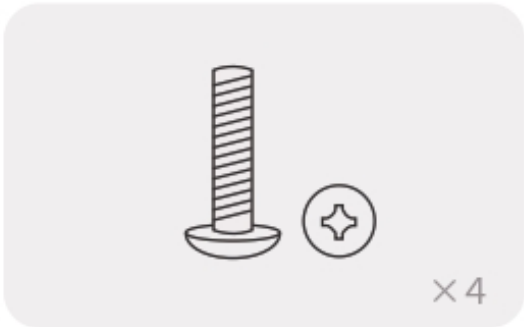
Installation Precautions

- At least two professional technicians should work together to install the wall mount, and users should not install it themselves to avoid injury or incorrect installation which could impact device performance.
- A professional technician should help to decide the installation location, to ensure that the wall and the attached mount are strong enough to support the total weight of this device, and to ensure that it has sufficient strength to withstand external forces. The hanging point should place weight directly onto the wall, and not be installed on decorative or weak plasterboard.
- To prevent this device from encountering external damage or causing physical injury, please do not mount the device in a place that is within easy reach of children.
- This device should be installed on a vertical surface, not an inclined surface or facing upwards, or the device could fall and cause injury.
- When the included screws or components become loose or are lost, turn off and unplug the device, and request assistance from a professional service technician.
- When installing this device, avoid direct exposure to strong electricity or strong magnetic fields, places that are noisy or exposed to vibration, and areas that are exposed to leaks of flammable substances.
- To allow this device to be viewed normally, avoid locations that are exposed or back-lit by strong sunlight, or viewers may experience eyesight fatigue. Install the device in a place that is not exposed to strong light.
- To prevent fire, avoid installing the device in locations that are subject to harsh conditions, such as oily smoke, wind and sand, humidity, or heat sources.
- During the installation process, ensure that the screw are firmly secured and not overly loose, which could cause the device to drop and cause physical injury.
- Carefully read, understand, and strictly follow the contents of this instruction manual. Horion will not assume responsibility for injury or damages caused by improper installation or operation of this device.

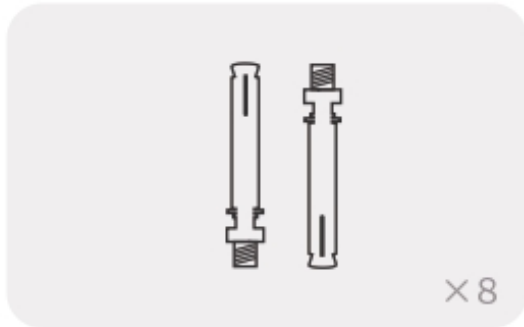
Wall Mount Item List



wall mount set

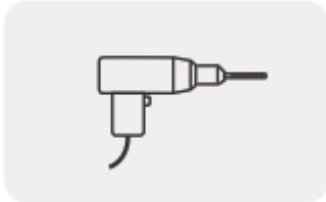


Four M8 (M6) mechanical screws

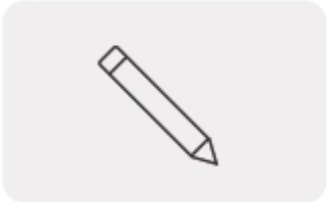


Eight M8 expanding screws

Tool Parameters(Installation personnel shall be equipped with the following additional tools)



Impact drill



pencil



screwdriver

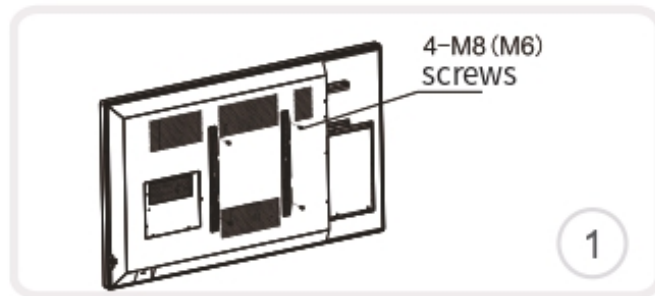


hammer

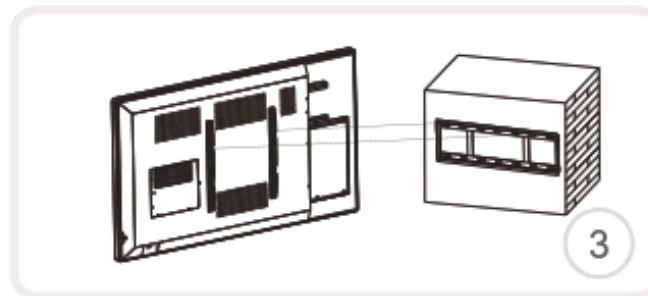


wrench

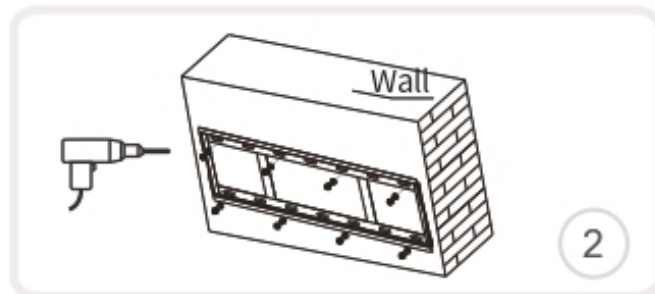
Installation Method



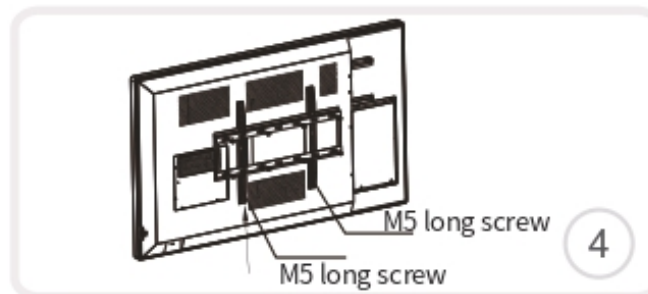
- As shown in the figure: based on the size of the device's VESA holes, select a corresponding screw size and use four M8 (M6) to lock the two vertical wall brackets on the corresponding VESA holes of the whiteboard.



- As shown in the figure: Hang the Whiteboard with the wall brackets locked on the wall mount components and adjust it to the left or right as required.



- As shown in the figure: secure the crossbeam on an appropriate wall, using M8.0mm expanding bolts to enter the wall (there should be a minimum of four bolts securing the crossbeam, at both the top and bottom positions). The client can select different bolt lengths depending on the wall. We generally recommend using a bolt length of M8.0X80mm, with wall hole diameters of 10mm), and tighten the bolt with a nut.



- As shown in the figure: after the device is mounted, screw the two M5 long screws into the base of the device until they are tightly secured, so that the device cannot be easily removed by others.

Caution

- To ensure that this mount is properly installed, carefully read the instruction manual during the installation process.
- Installation of this mount should be completed by a professional installation company.
- When reading or using these instructions, if there are any parts that are unclear, please contact Horion.

09/ Names and quantity of toxic and hazardous substances and elements within the product

Name of part	Toxic/hazardous substance or element					
	Lead(Pb)	Mercury(Hg)	Cadmium (Cd)	Hexavalent Chromium (Cr ⁺⁶)	Polybrominated biphenyl (PBB)	Polybrominated diphenyl ether (PBDE)
Display panel	×	○	○	○	○	○
Outer casing	○	○	○	○	○	○
Electronic circuit board components*	×	○	○	○	○	○
Power cord and connection cables	×	○	○	○	○	○
Metallic parts	○	○	○	○	○	○
Packaging material*	○	○	○	○	○	○
Remote control	×	○	○	○	○	○
Speakers	×	○	○	○	○	○
Appendix*	○	○	○	○	○	○

This table is created in accordance with GB/T26572-2011 standards.

- ★ The circuit board components, including the PCB and its electrical components; Packaging materials, including the box, polystyrene, etc.; Other accessories including the instruction manual, etc.;
 - Indicates that the amount of toxic substance in the material used in a particular component does not exceed the limit requirements established in the standard GB/T26572-2011.
 - ×
- Indicates that the amount of toxic substance in the material used in a particular component exceeds the limit requirements established in the standard GB/T26572-2011.

This table lists the harmful substances contained in this device. The amount is based on the type of material provided by the supplier, and verified by Horion. Some materials contain hazardous substances that cannot be substituted with existing technology. We are working hard to improve this.

This product's environmental protection use period is 10 years; restrictions of hazardous substance use are shown in the figure on the right.



The product's use period only applies when the user uses the product in accordance to what is considered normal in the user's manual.

HDMI, the HDMI High Definition Multimedia Interface, and the HDMI logo are trademarks or registered trademarks of HDMI Licensing Administrator, Inc. in the United States or other countries.

Reminder regarding the “Regulation on the Administration of the Recovery and Disposal of Waste Electrical and Electronic Products”

In order to better protect the environment, when the user no longer needs this product or the product is at the end of the product's life, please follow the relevant laws and regulations stipulated in the “Regulation on the Administration of the Recovery and Disposal of Waste Electrical and Electronic Products” and hand the product to nationally approved and qualified recycling handler for processing and recycling.

Thank you for your continuous support of our company's products. If you encounter any issues that you are unable to solve while using this product, please call our company hotline at 4006-818-999 for assistance. The contents of this instruction manual are not official instructions, and may be subject to periodic updates without further notice.



The terms HDMI and HDMI High-Definition Multimedia Interface, and the HDMI Logo are trademarks or registered trademarks of HDMI Licensing Administrator, Inc. in the United States and other countries.