

4

3

2

1

D

D

C

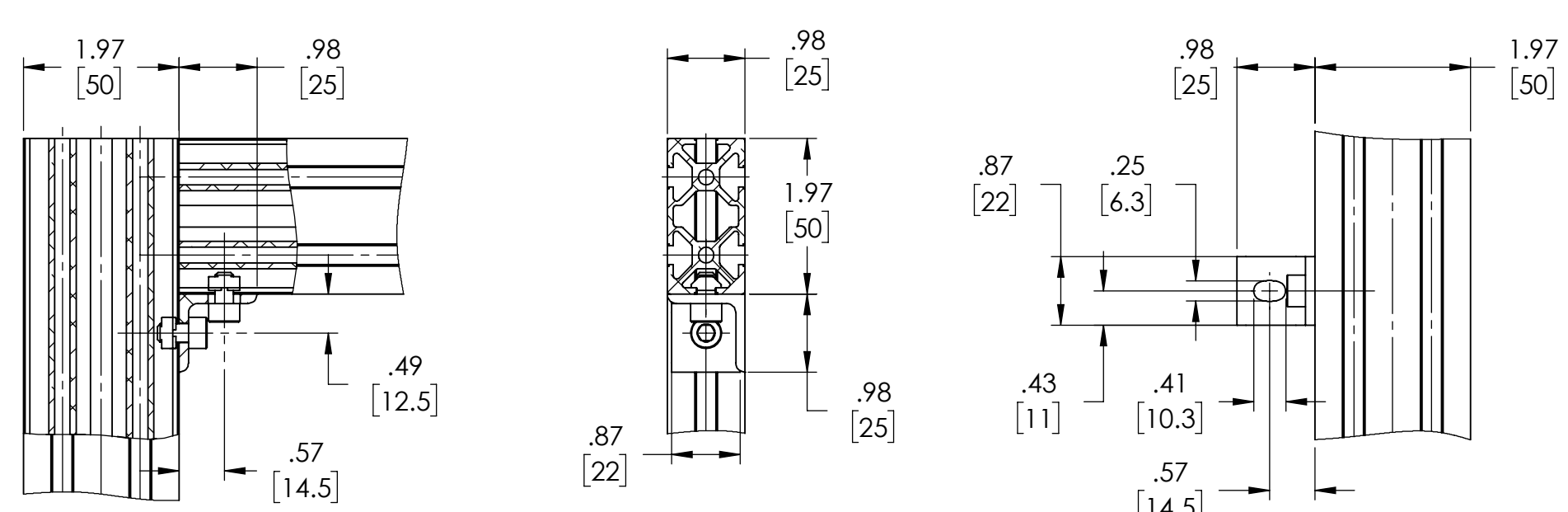
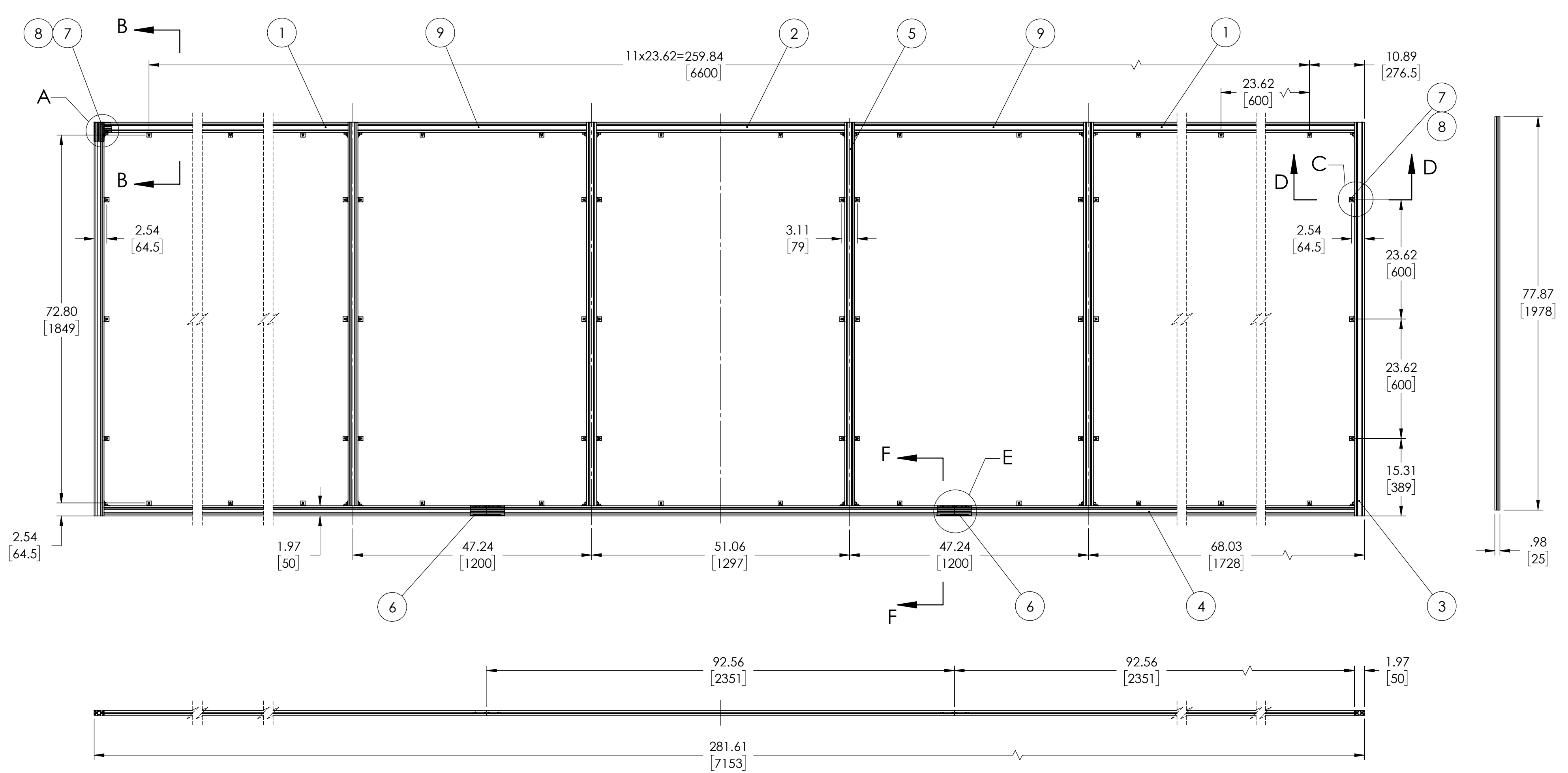
C

B

B

A

A



ITEM NO.	Part NO	Description	Material	Weight	Q-ty
9	L=45.28"/1150mm	Profile	T-Slotted Profile OB2550A	3.16	2
8		Screw/Nut	Fastening Kit M6 For T-Slotted Framing	0.02	94
7	6174	Bracket	Bracket For T-Slotted Framing	0.02	74
6		Connector	Inside Connector For T-Slotted Framing	0.04	4
5	L=75.91"/1928mm	Profile	T-Slotted Profile OB2550A	5.31	4
4	L=92.56"/2351mm	Profile	T-Slotted Profile OB2550A	6.47	3
3	L=77.87"/1978mm	Profile	T-Slotted Profile OB2550A	5.44	2
2	L=49.09"/1247mm	Profile	T-Slotted Profile OB2550A	3.43	1
1	L=65.08"/1653mm	Profile	T-Slotted Profile OB2550A	4.55	2

NOTES:
1. Dimensions are in inches/[mm].

PROPRIETARY AND CONFIDENTIAL
THIS DRAWING AND THE INFORMATION AND TECHNICAL DATA CONTAINED HEREIN ARE THE EXCLUSIVE PROPERTY OF Brightlink AV LTD. AND SHALL BE RETURNED TO THEM UPON REQUEST. THE DRAWING CONTAINS PROPRIETARY AND CONFIDENTIAL INFORMATION AND IS NOT TO BE REPRODUCED IN WHOLE OR IN PART OR DISCLOSED TO ANYONE ELSE WITHOUT THE EXPRESS WRITTEN CONSENT OF Brightlink AV LTD.

UNLESS OTHERWISE SPECIFIED: DIMENSIONS ARE IN INCHES TOLERANCES: FRACTIONAL: ±1/64 ANGULAR: MACH±.5° ONE PLACE DECIMAL: ±0.1" TWO PLACE DECIMAL: ±0.01" THREE PLACE DECIMAL: ±0.005" MACHINED SURFACE: 125 μin. INTERPRET GEOMETRIC TOLERANCING PER ASME Y14.5M - 2009.		NAME	DATE		
DRAWN	SL.	CHECKED	TE.		TITLE: LED Wall Mounting Frame 294" - 12x6
ENG APPR.		MFG APPR.			SIZE DWG. NO. REV C BL-PS-COB-LED-294-12x6_01
Q.A.	TE.	COMMENTS: 1. THIRD ANGLE PROJECTION			SCALE: 1:15 WEIGHT: 73.29 SHEET 1 OF 2
MATERIAL	ASSEMBLY	FINISH			
NEXT ASSY	USED ON	APPLICATION	DO NOT SCALE DRAWING		

4

3

2

1

4

3

2

1

D

D

C

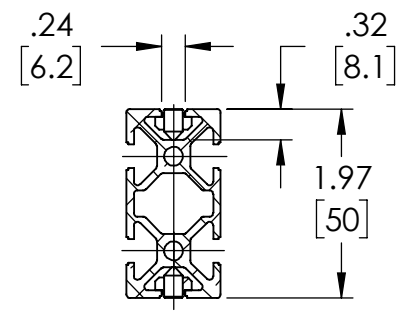
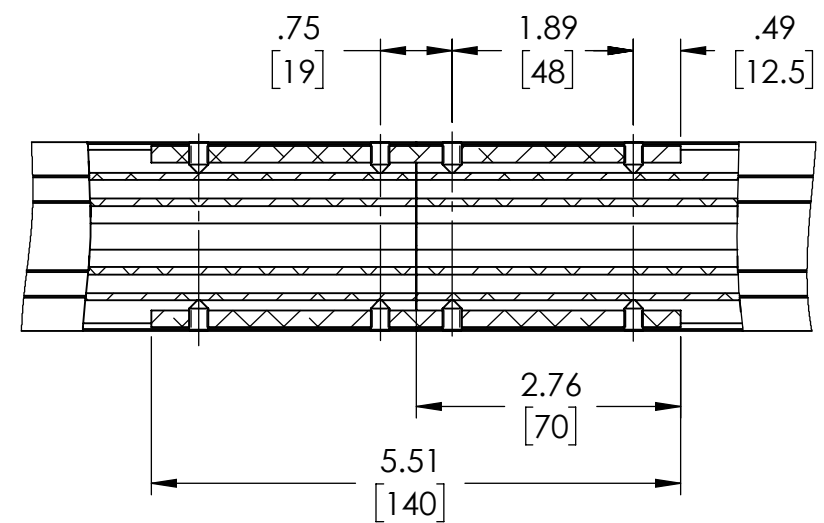
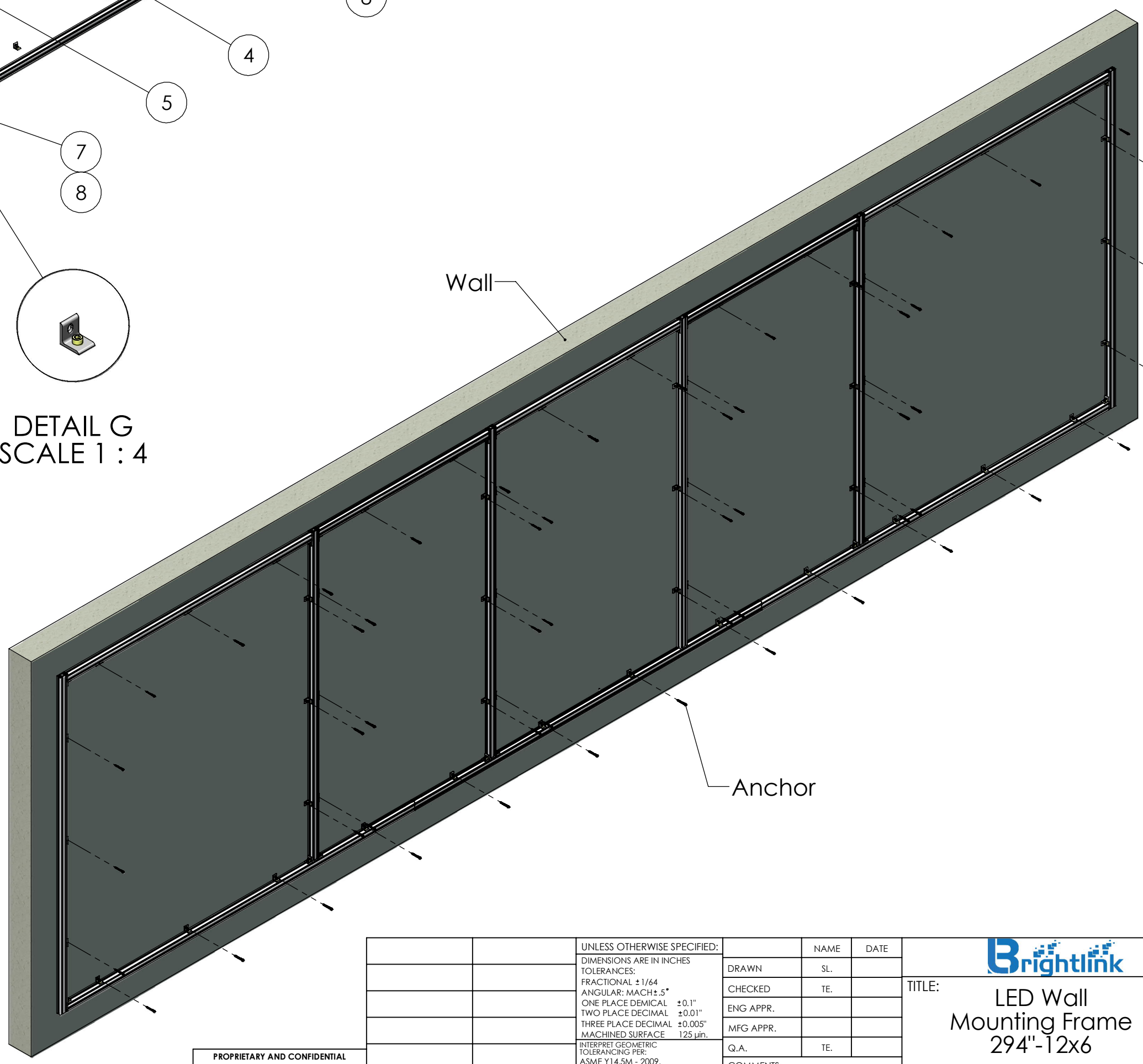
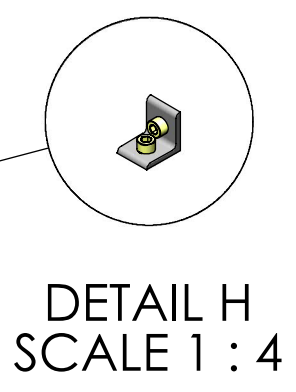
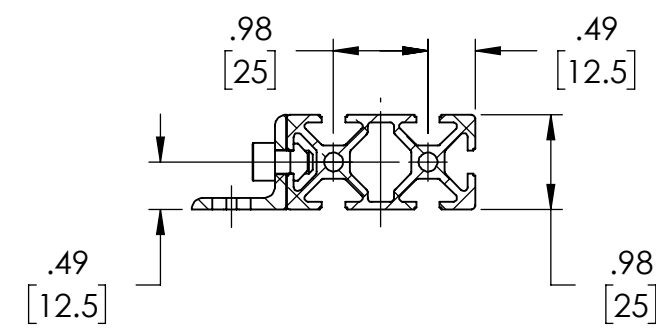
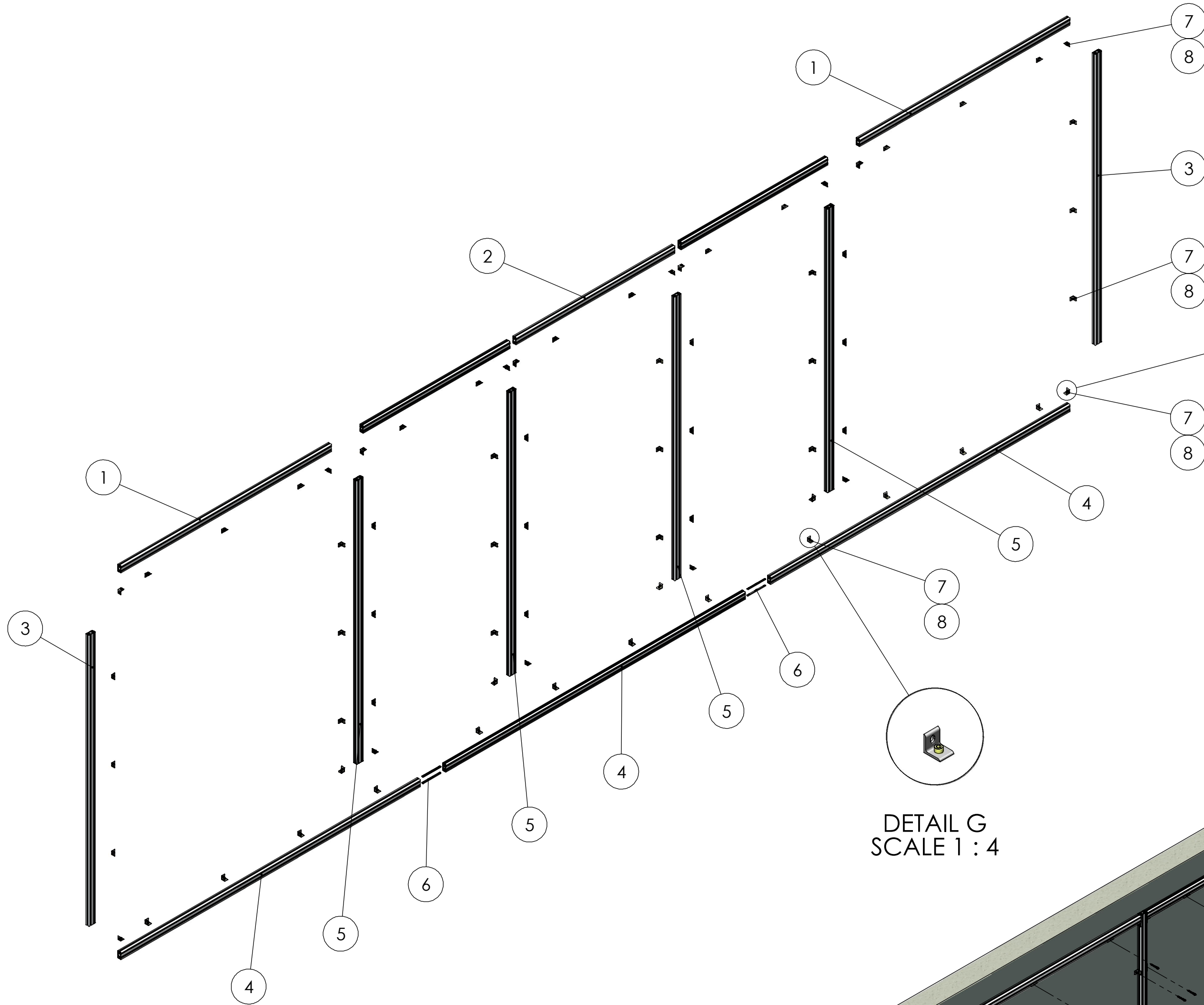
C

B

B

A

A



DETAIL E SCALE 1 : 2

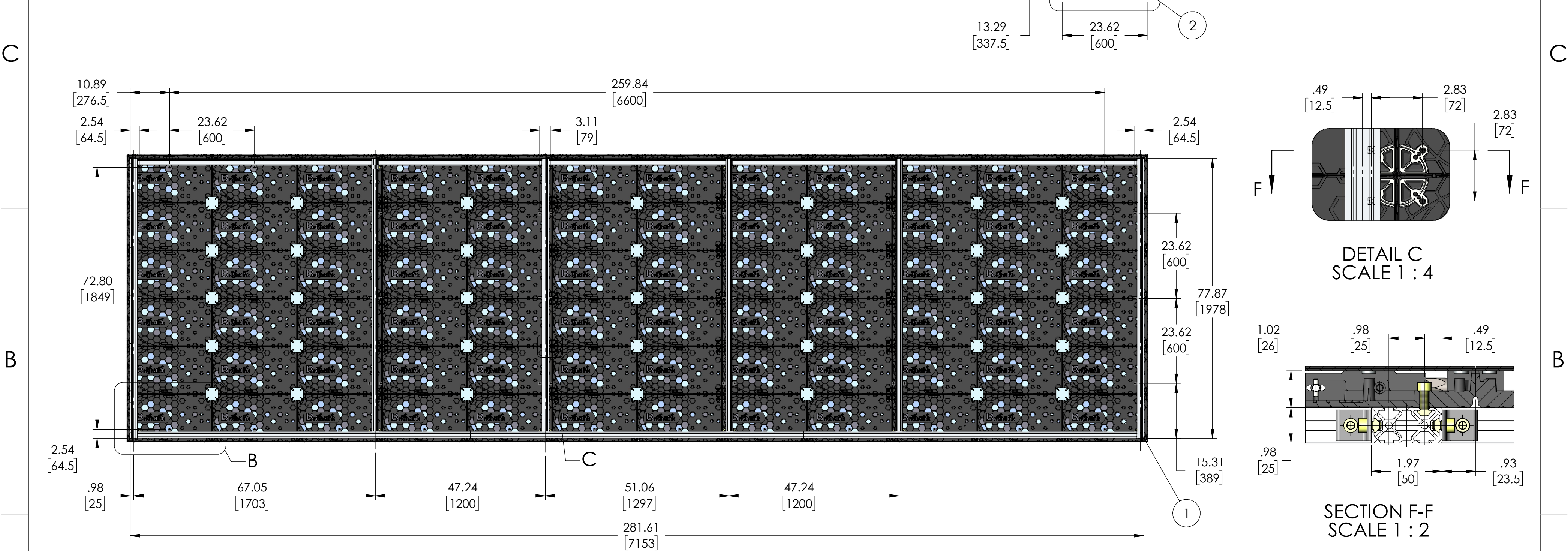
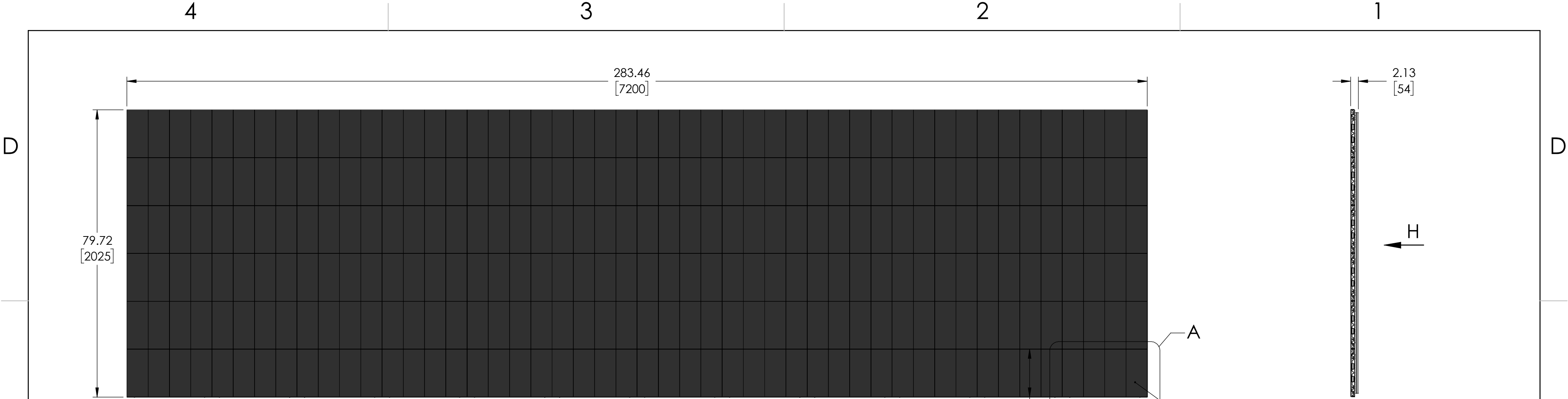
SECTION F-F SCALE 1 : 2

PROPRIETARY AND CONFIDENTIAL

THIS DRAWING AND THE INFORMATION AND TECHNICAL DATA CONTAINED HEREIN ARE THE EXCLUSIVE PROPERTY OF Brightlink AV LTD. AND SHALL BE RETURNED TO THEM UPON REQUEST. THE DRAWING CONTAINS PROPRIETARY AND CONFIDENTIAL INFORMATION AND IS NOT TO BE REPRODUCED IN WHOLE OR IN PART OR DISCLOSED TO ANYONE ELSE WITHOUT THE EXPRESS WRITTEN CONSENT OF Brightlink AV LTD.

UNLESS OTHERWISE SPECIFIED:		NAME	DATE
DIMENSIONS ARE IN INCHES		SL	
TOLERANCES:		TE	
FRACTIONAL: 1/64			
ANGULAR: MACH±.5°			
ONE PLACE DECIMAL ±0.1"			
TWO PLACE DECIMAL ±0.01"			
THREE PLACE DECIMAL ±0.005"			
MACHINED SURFACE 125 μm			
INTERPRET GEOMETRIC TOLERANCING PER ASME Y14.5M - 2009.		Q.A.	TE.
MATERIAL		COMMENTS:	
ASSEMBLY		1. THIRD ANGLE PROJECTION	
FINISH			
NEXT ASSY	USED ON		
APPLICATION		DO NOT SCALE DRAWING	

		TITLE:	
		LED Wall Mounting Frame 294" x 12x6	
SIZE	DWG. NO.	REV	
C	BL-PS-COB-LED-294-12x6_0		
SCALE: 1:20		WEIGHT: 73.29	SHEET 2 OF 2



VIEW H

- NOTES:
- Dimensions are in inches/[mm].
 - Cabinet installation begins from the bottom row.

ITEM NO.	Part NO	Description	Material	Weight	Q-ty
5		Screw	SHCS M6x20	0.017	140
4		Joint Plate	Mild Steel	0.42	35
3		Screw/Nut	Fastening Kit M6 For T-Slotted Framing	0.02	108
2	BL-PS-COB-LED-CABINET	LED Cabinet 600x337.5mm		7.72	72
1	BL-PS-COB-LED-294-12x6_01	LED Wall Mounting Frame 294"-12x6	ASSEMBLY	73.3	1

PROPRIETARY AND CONFIDENTIAL
 THIS DRAWING AND THE INFORMATION AND TECHNICAL DATA CONTAINED HEREIN ARE THE EXCLUSIVE PROPERTY OF Brightlink AV LTD. AND SHALL BE RETURNED TO THEM UPON REQUEST. THE DRAWING CONTAINS PROPRIETARY AND CONFIDENTIAL INFORMATION AND IS NOT TO BE REPRODUCED IN WHOLE OR IN PART OR DISCLOSED TO ANYONE ELSE WITHOUT THE EXPRESS WRITTEN CONSENT OF Brightlink AV LTD.

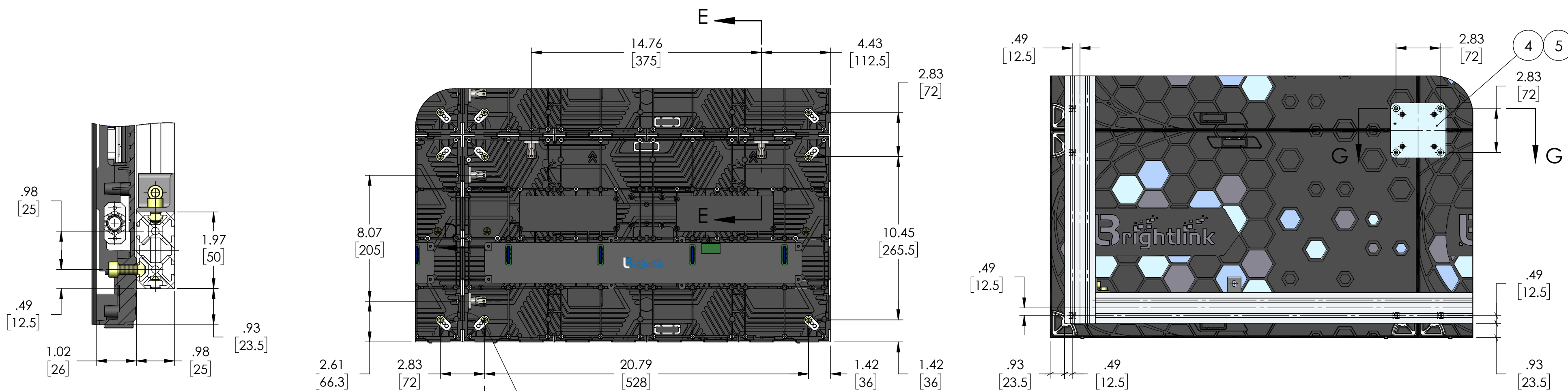
UNLESS OTHERWISE SPECIFIED: DIMENSIONS ARE IN INCHES TOLERANCES: FRACTIONAL: ±1/64 ANGULAR: MACH±.5° ONE PLACE DECIMAL: ±0.1" TWO PLACE DECIMAL: ±0.01" THREE PLACE DECIMAL: ±0.005" MACHINED SURFACE: 125 μm		NAME	DATE		
DRAWN	SL.	CHECKED	TE.		TITLE: LED Wall System 294"-12x6
ENG APPR.		MFG APPR.			SIZE DWG. NO. C BL-PS-COB-LED-294-12x6
Q.A.	TE.	COMMENTS: 1. THIRD ANGLE PROJECTION			REV SCALE: 1:20 WEIGHT:648 SHEET 1 OF 2
NEXT ASSY	USED ON	FINISH	ASSEMBLY		
APPLICATION		DO NOT SCALE DRAWING			

4

3

2

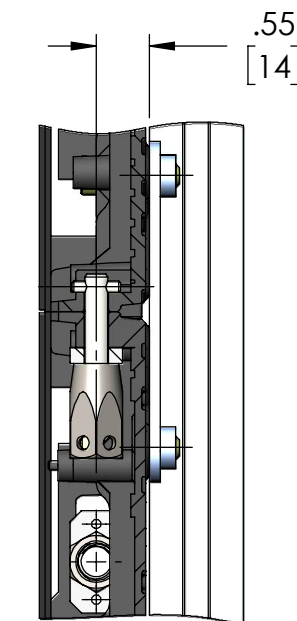
1



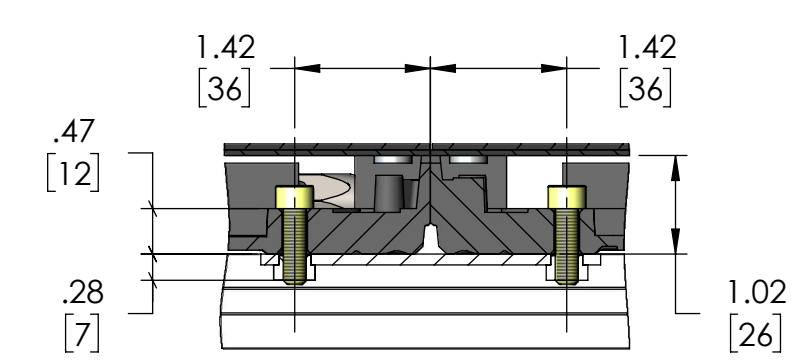
SECTION D-D SCALE 1 : 2

DETAIL A SCALE 1 : 5

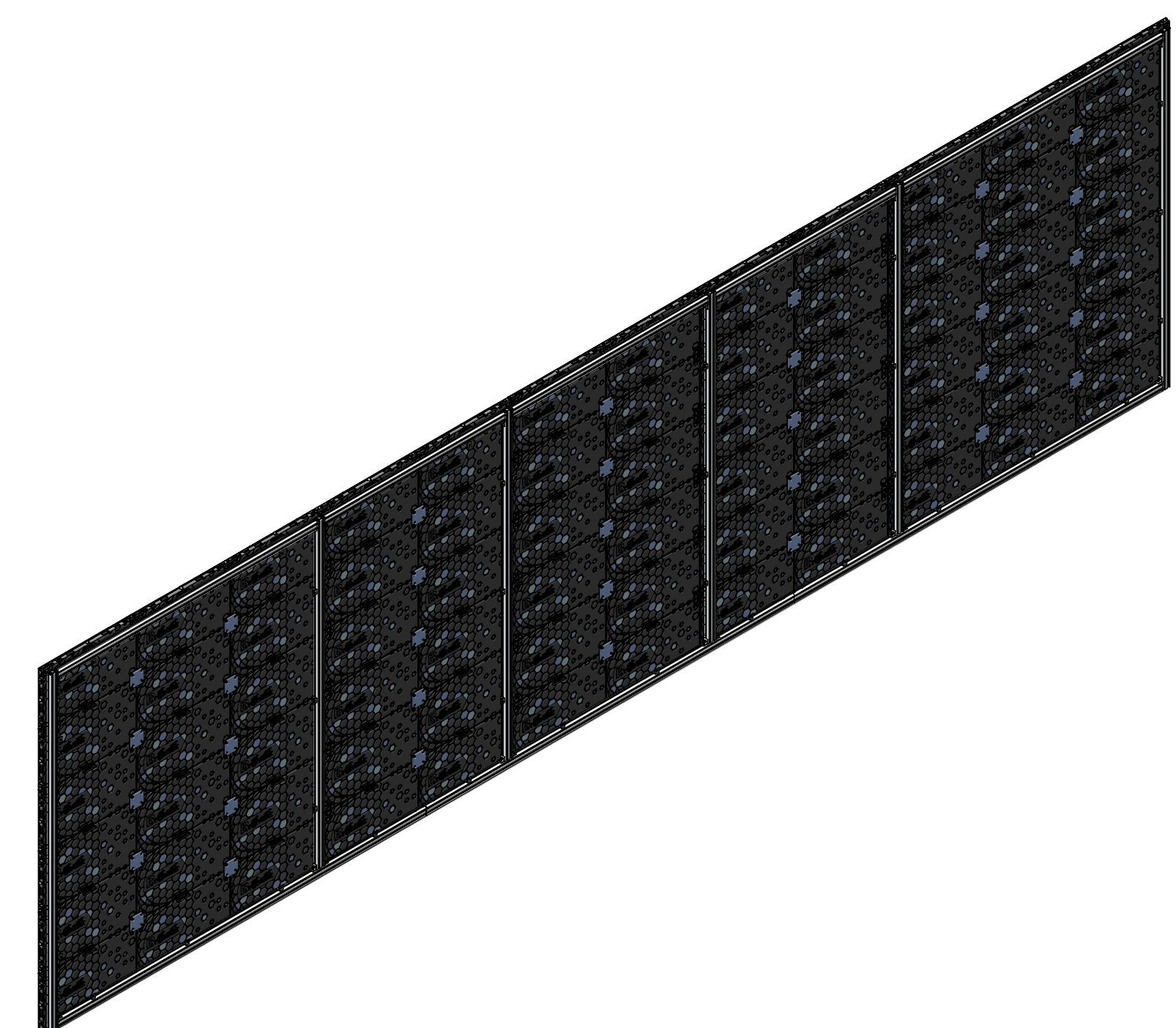
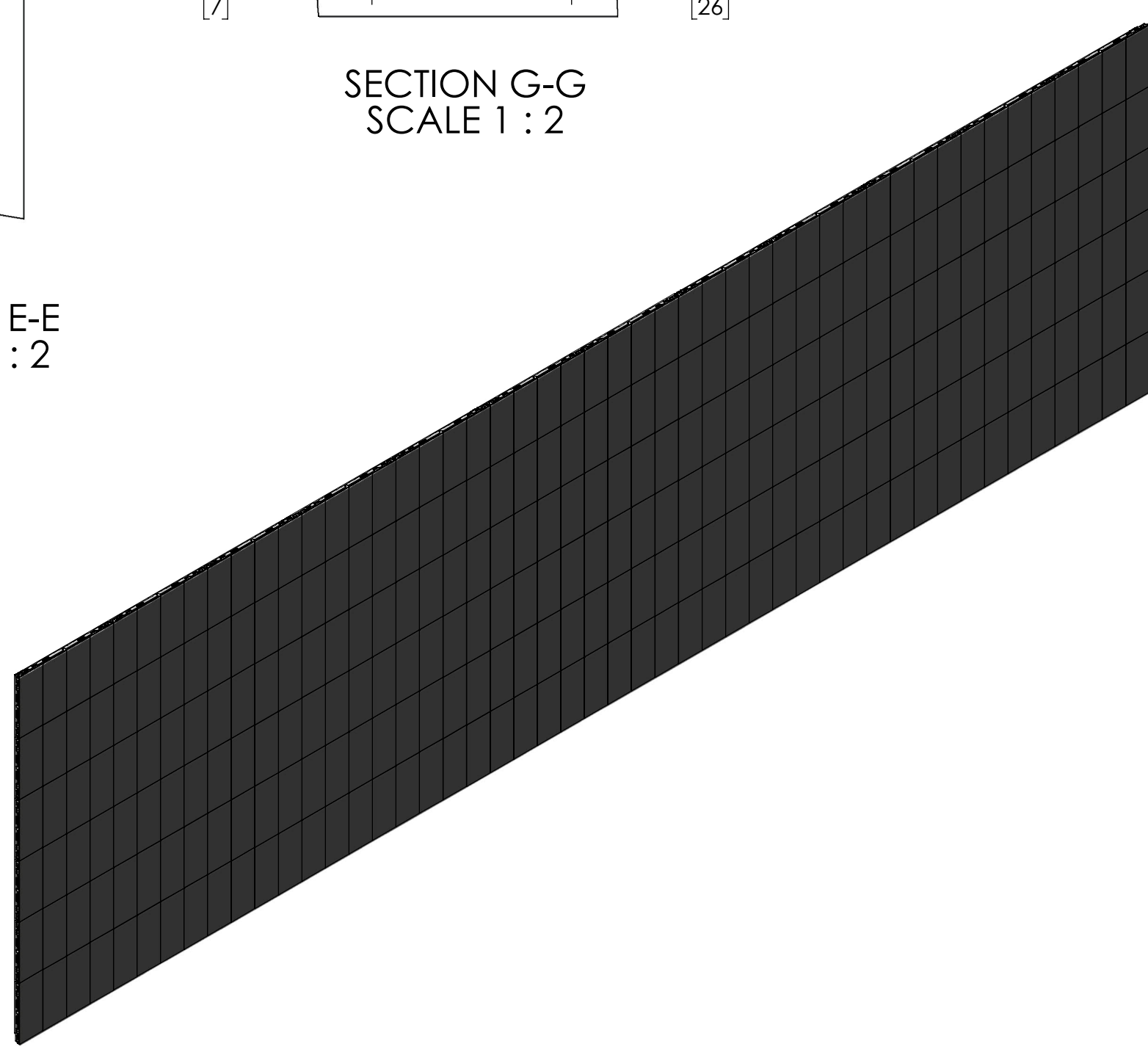
DETAIL B SCALE 1 : 5



SECTION E-E SCALE 1 : 2



SECTION G-G SCALE 1 : 2



PROPRIETARY AND CONFIDENTIAL

THIS DRAWING AND THE INFORMATION AND TECHNICAL DATA CONTAINED HEREIN ARE THE EXCLUSIVE PROPERTY OF Brightlink AV LTD. AND SHALL BE RETURNED TO THEM UPON REQUEST. THE DRAWING CONTAINS PROPRIETARY AND CONFIDENTIAL INFORMATION AND IS NOT TO BE REPRODUCED IN WHOLE OR IN PART OR DISCLOSED TO ANYONE ELSE WITHOUT THE EXPRESS WRITTEN CONSENT OF Brightlink AV LTD.

		UNLESS OTHERWISE SPECIFIED:		DRAWN		NAME		DATE	
		DIMENSIONS ARE IN INCHES		SL.					
		TOLERANCES:		CHECKED		TE.		TITLE:	
		FRACTIONAL: 1/64		ENG APPR.				LED Wall System	
		ANGULAR: MACH±.5°		MFG APPR.				294"-12x6	
		ONE PLACE DECIMAL ±0.1"		Q.A.		TE.		SIZE DWG. NO.	
		TWO PLACE DECIMAL ±0.01"		COMMENTS:		1. THIRD ANGLE PROJECTION		C BL-PS-COB-LED-294-12x6	
		THREE PLACE DECIMAL ±0.005"						REV	
		MACHINED SURFACE 125 µin.						SCALE: 1:25 WEIGHT:648 SHEET 2 OF 2	
		INTERPRET GEOMETRIC TOLERANCING PER ASME Y14.5M - 2009.							
NEXT ASSY		USED ON		FINISH					
APPLICATION				DO NOT SCALE DRAWING					

4

3

2

1