

ITEM NO.	Part NO	Description	Material	Weight	Q-ty
8		Screw/Nut	Fastening Kit M6 For T-Slotted Framing	0.02	60
7	6174	Bracket	Bracket For T-Slotted Framing	0.02	48
6		Connector	Inside Connector For T-Slotted Framing	0.04	2
5	L=75.91"/1928mm	Profile	T-Slotted Profile OB2550A	5.31	2
4	L=103.41"/2626.5mm	Profile	T-Slotted Profile OB2550A	7.23	2
3	L=77.87"/1978mm	Profile	T-Slotted Profile OB2550A	5.44	2
2	L=65.08"/1653mm	Profile	T-Slotted Profile OB2550A	4.55	1
1	L=68.90"/1750mm	Profile	T-Slotted Profile OB2550A	4.82	2



TITLE:
LED Wall Mounting Frame
227"-9x6

SIZE	DWG. NO.	REV
C	BL-PS-COB-LED-227-9x6_01	

SCALE: 1:15 | WEIGHT: 51.99 | SHEET 1 OF 2

PROPRIETARY AND CONFIDENTIAL
THIS DRAWING AND THE INFORMATION AND TECHNICAL DATA CONTAINED HEREIN ARE THE EXCLUSIVE PROPERTY OF Brightlink AV LTD. AND SHALL BE RETURNED TO THEM UPON REQUEST. THE DRAWING CONTAINS PROPRIETARY AND CONFIDENTIAL INFORMATION AND IS NOT TO BE REPRODUCED IN WHOLE OR IN PART OR DISCLOSED TO ANYONE ELSE WITHOUT THE EXPRESS WRITTEN CONSENT OF Brightlink AV LTD.

NOTES:
1. Dimensions are in inches/[mm].

4

3

2

1

4

3

2

1

D

D

C

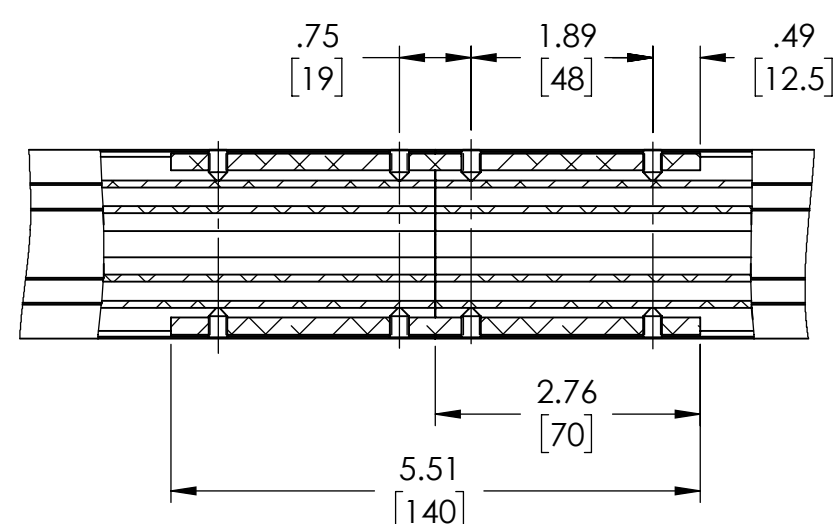
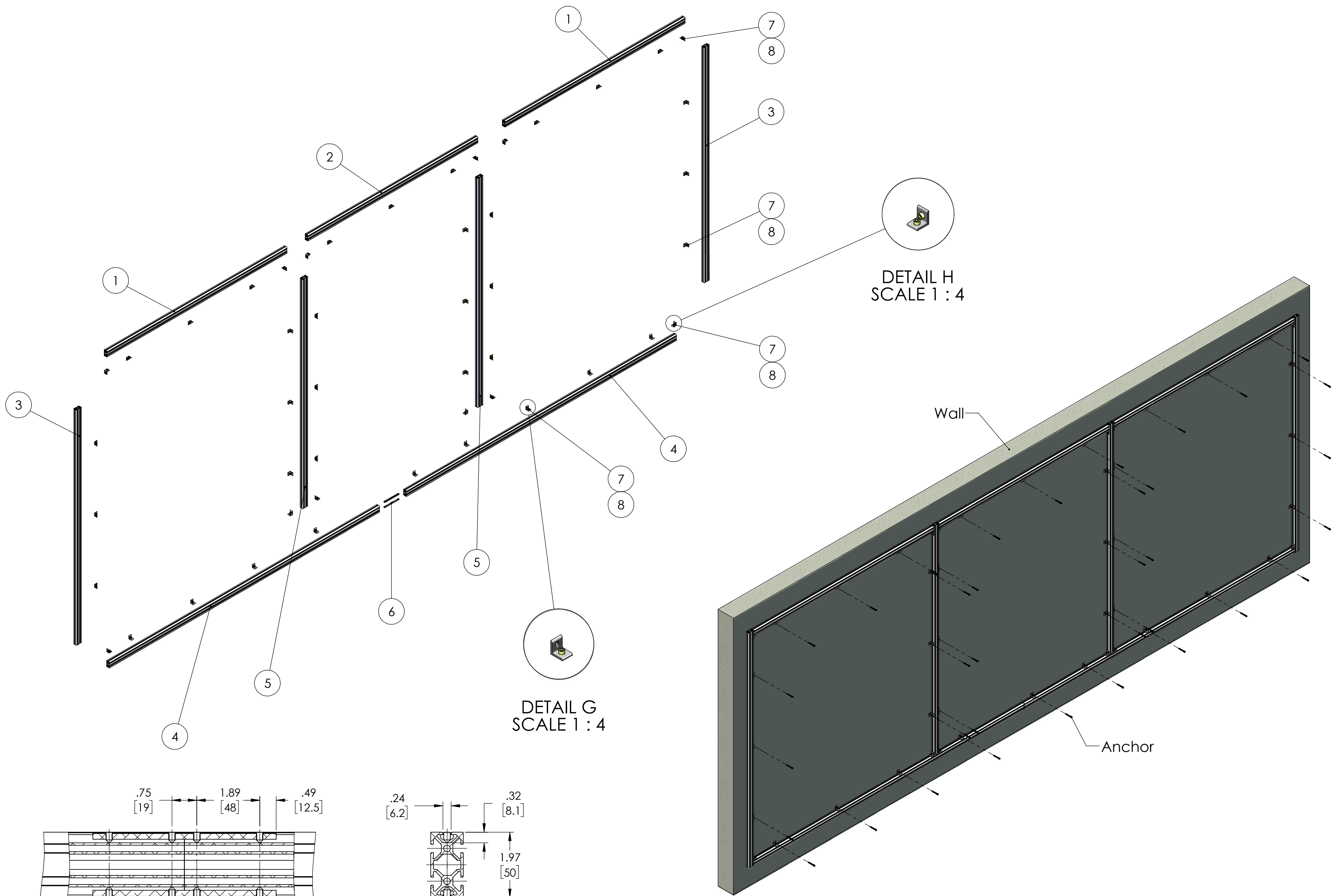
C

B

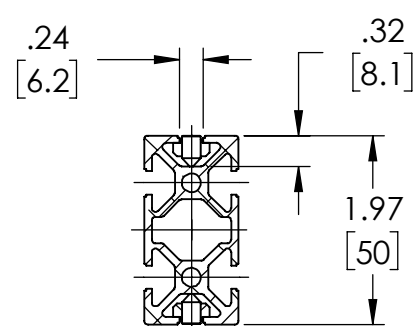
B

A

A



DETAIL E
SCALE 1 : 2



SECTION F-F
SCALE 1 : 2

PROPRIETARY AND CONFIDENTIAL
 THIS DRAWING AND THE INFORMATION AND TECHNICAL DATA CONTAINED HEREIN ARE THE EXCLUSIVE PROPERTY OF Brightlink AV LTD. AND SHALL BE RETURNED TO THEM UPON REQUEST. THE DRAWING CONTAINS PROPRIETARY AND CONFIDENTIAL INFORMATION AND IS NOT TO BE REPRODUCED IN WHOLE OR IN PART OR DISCLOSED TO ANYONE ELSE WITHOUT THE EXPRESS WRITTEN CONSENT OF Brightlink AV LTD.

		UNLESS OTHERWISE SPECIFIED:		DRAWN		NAME		DATE	
		DIMENSIONS ARE IN INCHES		SL.					
		TOLERANCES:		CHECKED		TE.			
		FRACTIONAL: ± 1/64		ENG APPR.					
		ANGULAR: MACH ± .5°		MFG APPR.					
		ONE PLACE DECIMAL ± 0.1"		Q.A.		TE.			
		TWO PLACE DECIMAL ± 0.01"		COMMENTS:					
		THREE PLACE DECIMAL ± 0.005"		1. THIRD ANGLE PROJECTION					
		MACHINED SURFACE 125 µin.							
		INTERPRET GEOMETRIC TOLERANCING PER ASME Y14.5M - 2009.							
		MATERIAL							
		ASSEMBLY							
		FINISH							
NEXT ASSY		USED ON							
APPLICATION		DO NOT SCALE DRAWING							

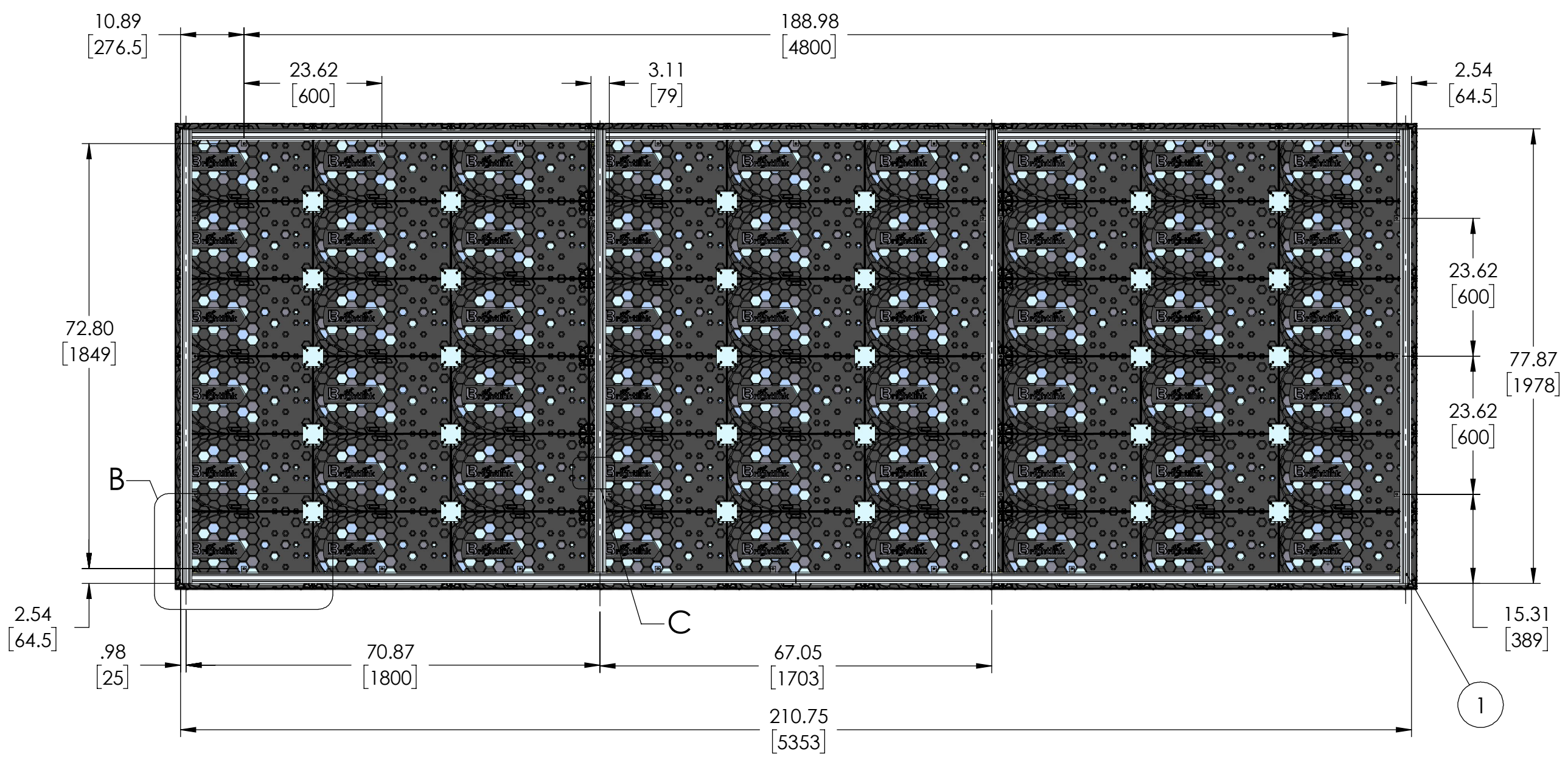
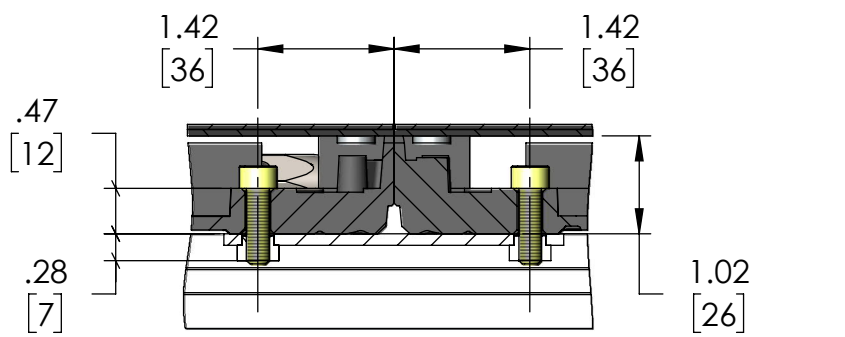
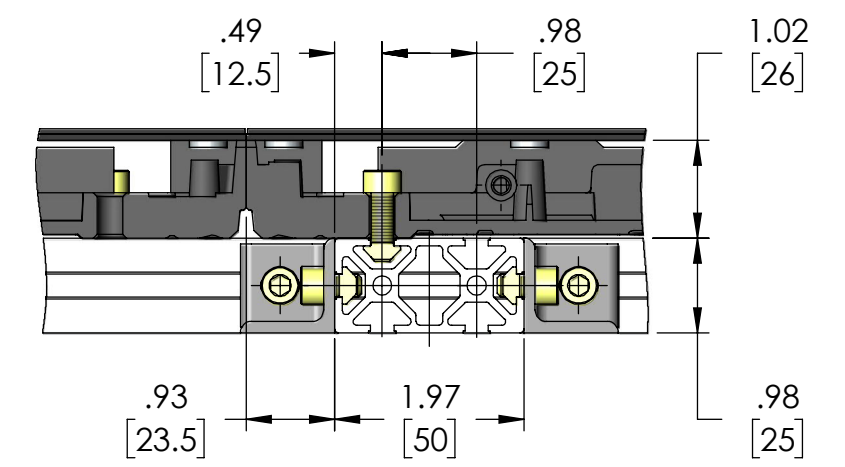
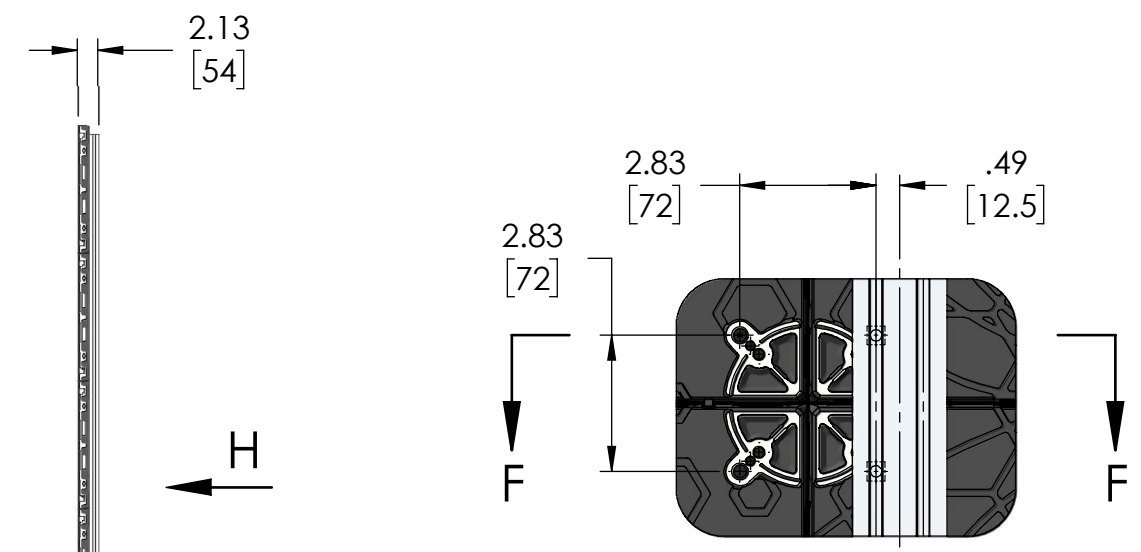
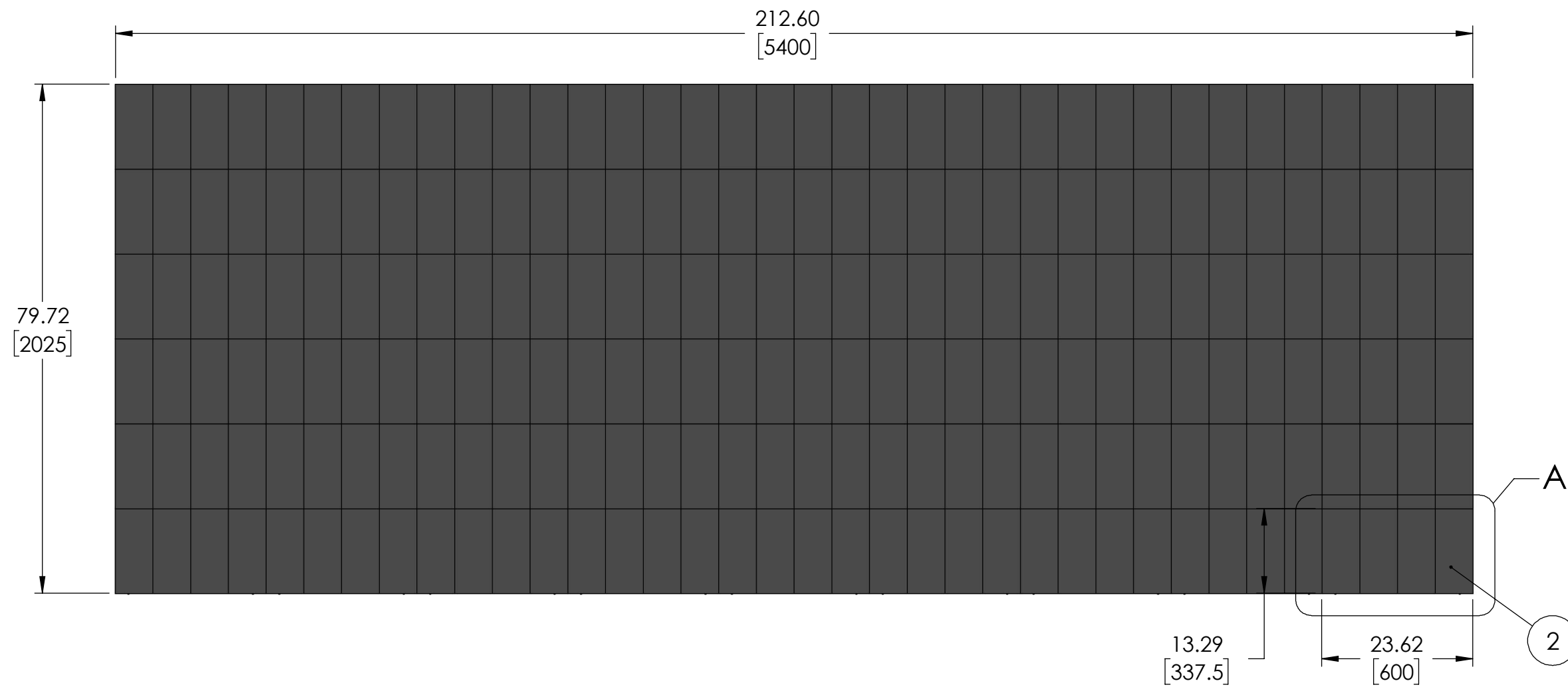
TITLE: LED Wall Mounting Frame 227"-9x6		
SIZE	DWG. NO.	REV
C	BL-PS-COB-LED-227-9x6_01	
SCALE: 1:18	WEIGHT: 51.99	SHEET 2 OF 2

4

3

2

1



VIEW H

NOTES:

1. Dimensions are in inches/[mm].
2. Cabinet installation begins from the bottom row.

ITEM NO.	Part NO	Description	Material	Weight	Q-ty
5		Screw	SHCS M6x20	0.017	120
4		Joint Plate	Mild Steel	0.42	30
3		Screw/Nut	Fastening Kit M6 For T-Slotted Framing	0.02	76
2	BL-PS-COB-LED-CABINET	LED Cabinet 600x337.5mm		7.72	54
1	BL-PS-COB-LED-227-9x6_01	LED Wall Mounting Frame 227"-9x6	ASSEMBLY	51.99	1

PROPRIETARY AND CONFIDENTIAL
 THIS DRAWING AND THE INFORMATION AND TECHNICAL DATA CONTAINED HEREIN ARE THE EXCLUSIVE PROPERTY OF Brightlink AV LTD. AND SHALL BE RETURNED TO THEM UPON REQUEST. THE DRAWING CONTAINS PROPRIETARY AND CONFIDENTIAL INFORMATION AND IS NOT TO BE REPRODUCED IN WHOLE OR IN PART OR DISCLOSED TO ANYONE ELSE WITHOUT THE EXPRESS WRITTEN CONSENT OF Brightlink AV LTD.

UNLESS OTHERWISE SPECIFIED:	NAME	DATE	Brightlink		
DIMENSIONS ARE IN INCHES	DRAWN	SL.	TITLE: LED Wall System 190"-9x6		
TOLERANCES:	CHECKED	TE.			
FRACTIONAL: ±1/64	ENG APPR.				
ANGULAR: MACH±.5°	MFG APPR.				
ONE PLACE DECIMAL ±0.1"	Q.A.	TE.	COMMENTS: 1. THIRD ANGLE PROJECTION		
TWO PLACE DECIMAL ±0.01"					
THREE PLACE DECIMAL ±0.005"			SIZE	DWG. NO.	REV
MACHINED SURFACE 125 μin.			C	BL-PS-COB-LED-227-9x6	
INTERPRET GEOMETRIC TOLERANCING PER ASME Y14.5M - 2009.			SCALE: 1:20	WEIGHT: 485	SHEET 1 OF 1
MATERIAL					
ASSEMBLY					
FINISH					
DO NOT SCALE DRAWING					

4

3

2

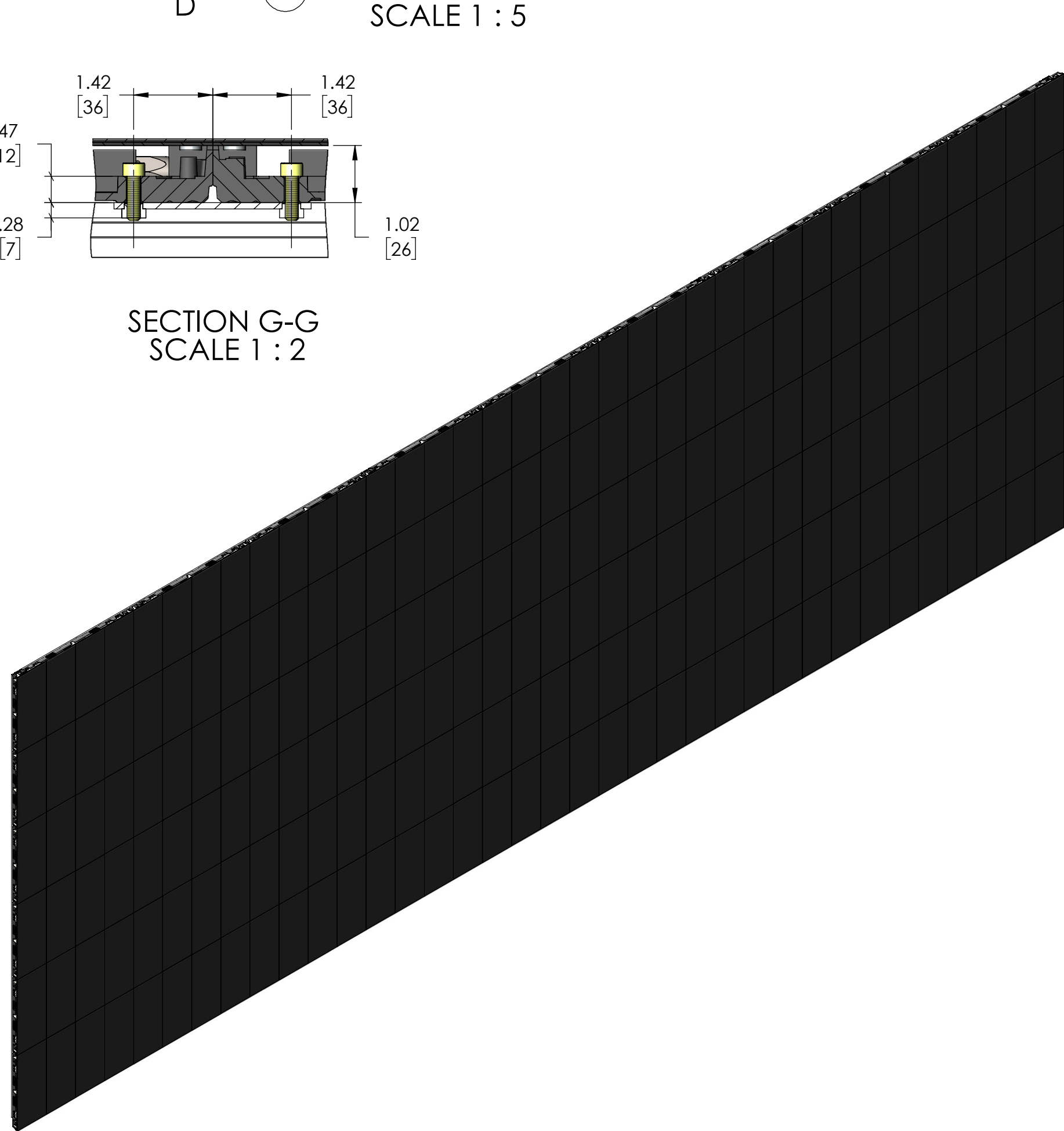
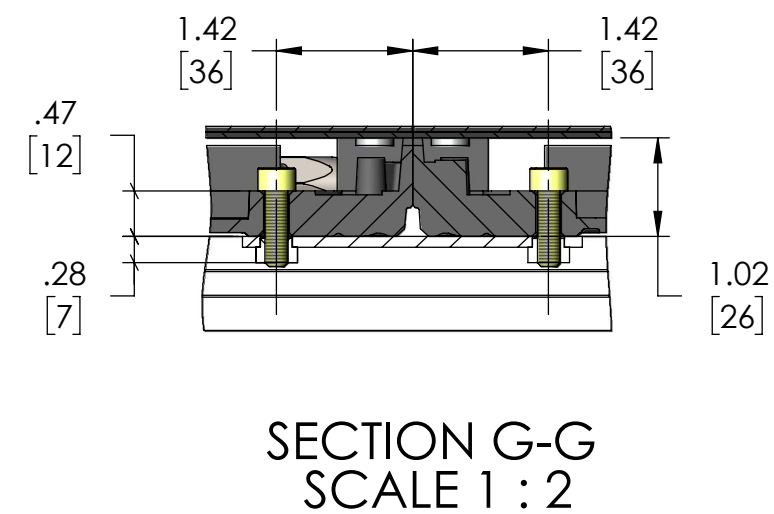
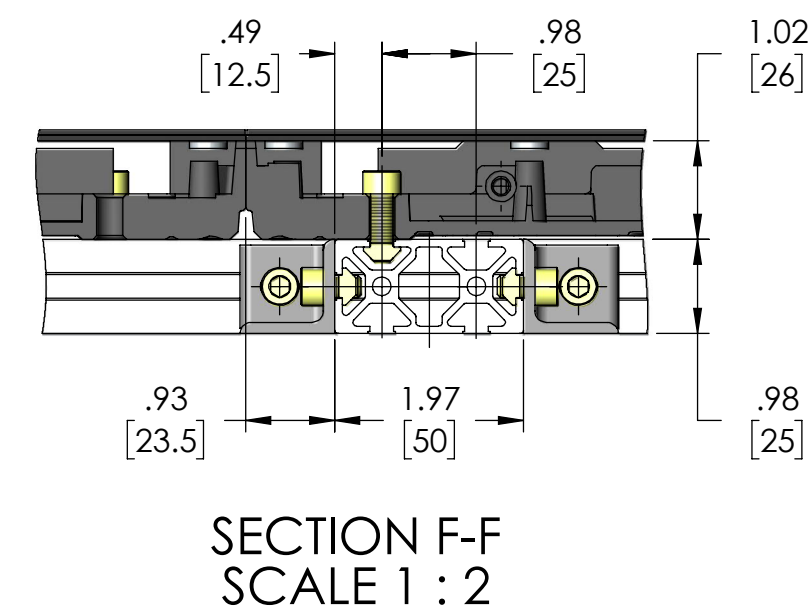
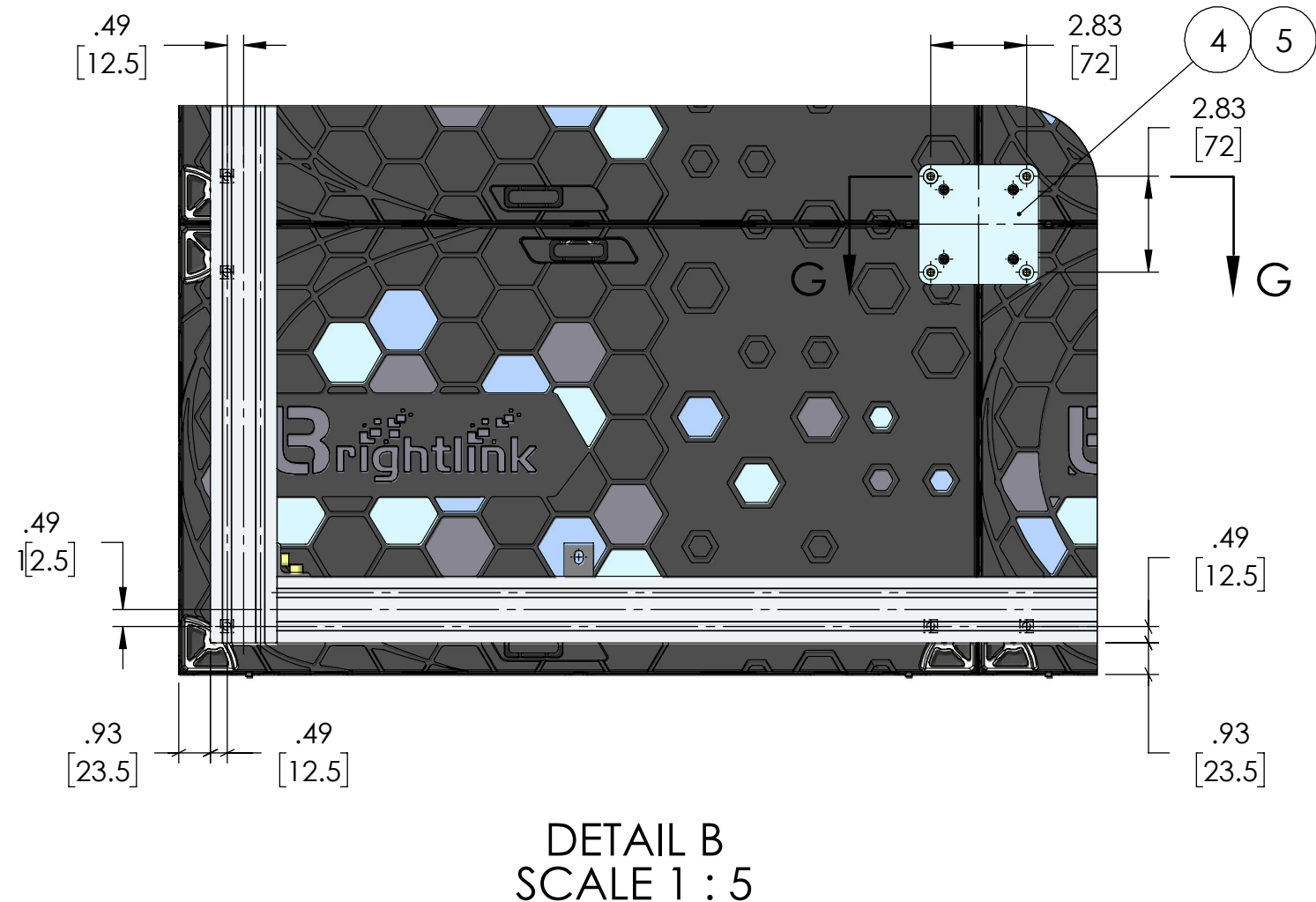
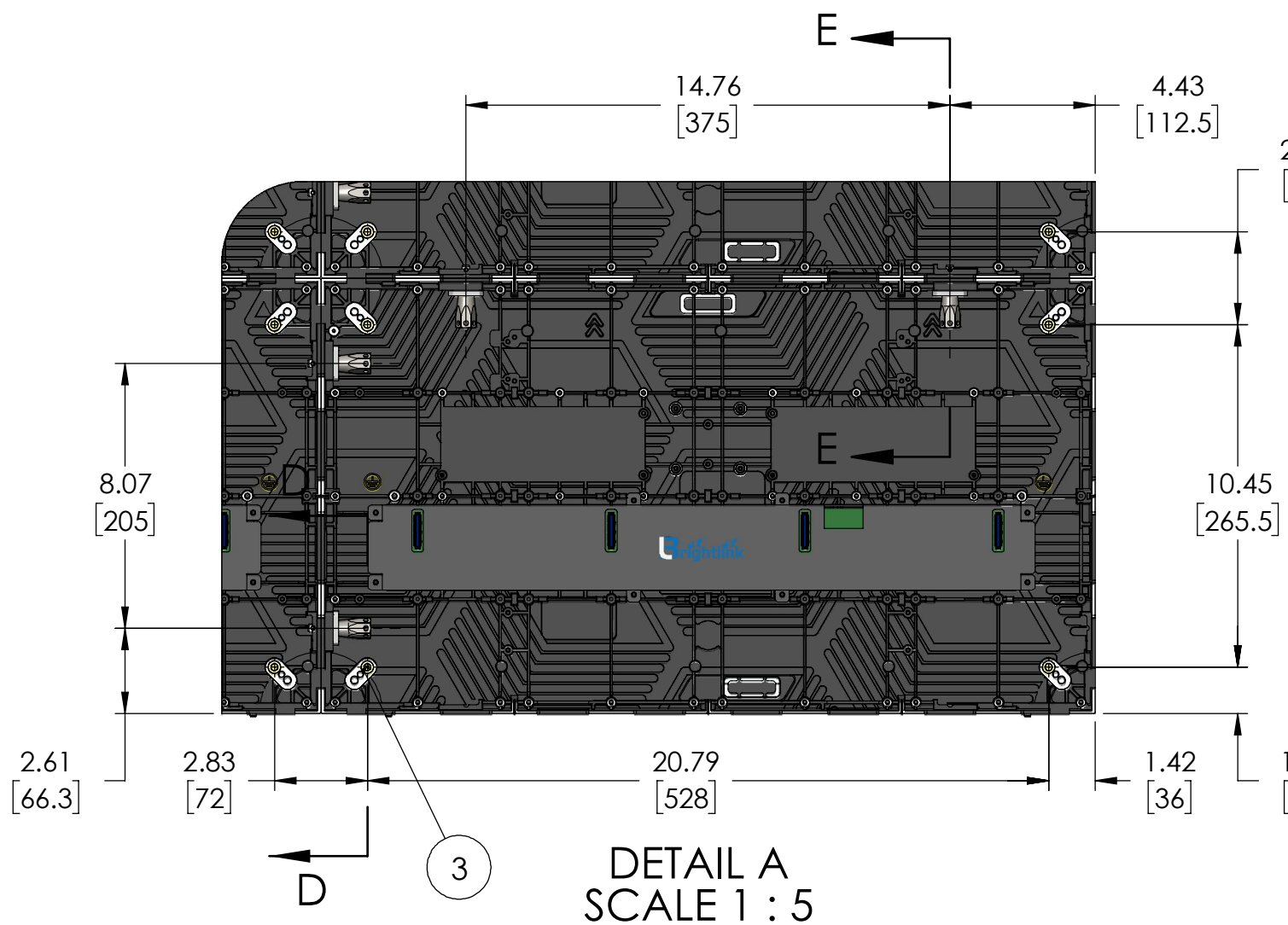
1

4

3

2

1



PROPRIETARY AND CONFIDENTIAL
THIS DRAWING AND THE INFORMATION AND TECHNICAL DATA CONTAINED HEREIN ARE THE EXCLUSIVE PROPERTY OF Brightlink AV LTD. AND SHALL BE RETURNED TO THEM UPON REQUEST. THE DRAWING CONTAINS PROPRIETARY AND CONFIDENTIAL INFORMATION AND IS NOT TO BE REPRODUCED IN WHOLE OR IN PART OR DISCLOSED TO ANYONE ELSE WITHOUT THE EXPRESS WRITTEN CONSENT OF Brightlink AV LTD.

UNLESS OTHERWISE SPECIFIED:		NAME	DATE
DIMENSIONS ARE IN INCHES		DRAWN	SL
TOLERANCES:		CHECKED	TE
FRACTIONAL: ± 1/64		ENG APPR.	
ANGULAR: MACH ± .5°		MFG APPR.	
ONE PLACE DECIMAL ± 0.1"		Q.A.	TE
TWO PLACE DECIMAL ± 0.01"		COMMENTS:	
THREE PLACE DECIMAL ± 0.005"		1. THIRD ANGLE PROJECTION	
MACHINED SURFACE 125 μin.			
INTERPRET GEOMETRIC TOLERANCING PER ASME Y14.5M - 2009.			
MATERIAL ASSEMBLY			
FINISH			
NEXT ASSY	USED ON		
APPLICATION		DO NOT SCALE DRAWING	

TITLE: LED Wall System 190"-9x6		
SIZE	DWG. NO.	REV
C	BL-PS-COB-LED-227-9x6	
SCALE: 1:16	WEIGHT: 485	SHEET 2 OF 2