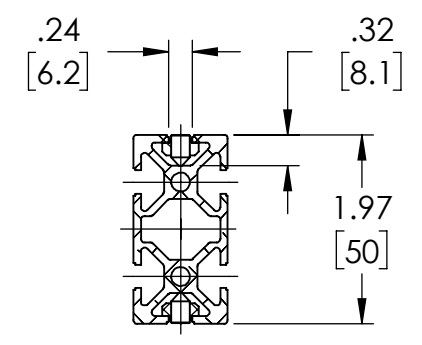
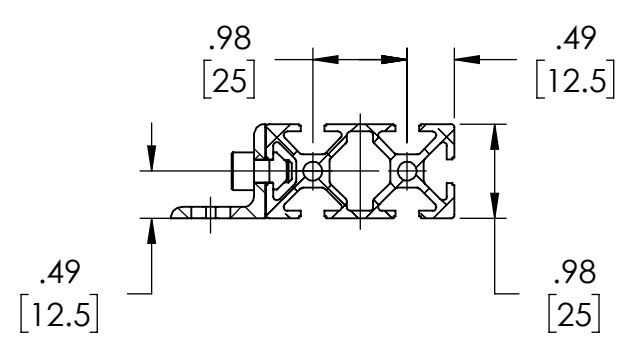


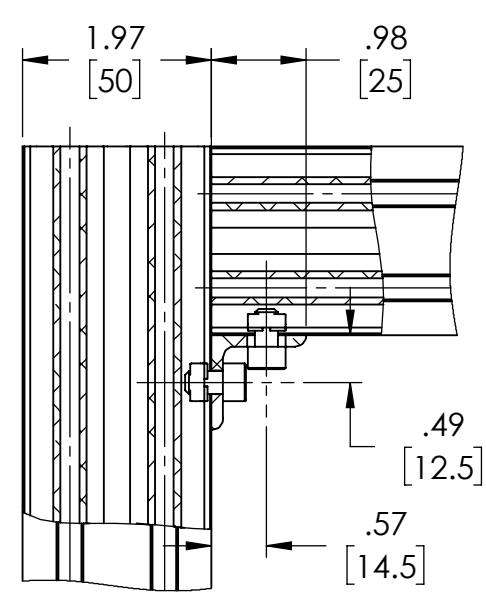
DETAIL E  
SCALE 1 : 2



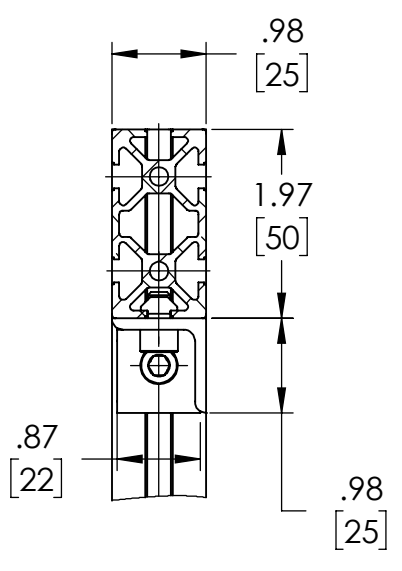
SECTION F-F  
SCALE 1 : 2



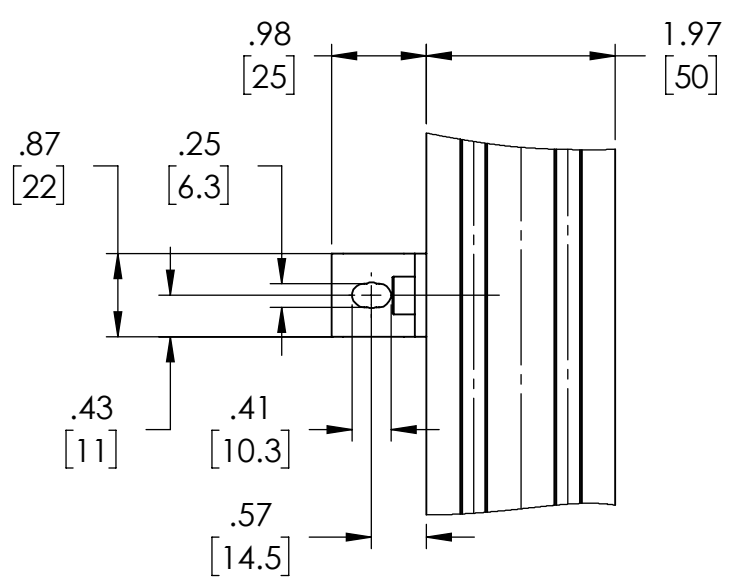
SECTION D-D  
SCALE 1 : 2



DETAIL A  
SCALE 1 : 2



SECTION B-B  
SCALE 1 : 2



DETAIL C  
SCALE 1 : 2

8		Screw/Nut	Fastening Kit M6 For T-Slotted Framing	0.02	62
7	6174	Bracket	Bracket For T-Slotted Framing	0.02	50
6		Connector	Inside Connector For T-Slotted Framing	0.04	2
5	L=89.19"/2265.5mm	Profile	T-Slotted Profile OB2550A	6.23	2
4	L=79.78"/2026.5mm	Profile	T-Slotted Profile OB2550A	5.58	2
3	L=91.16"/2315.5mm	Profile	T-Slotted Profile OB2550A	6.37	2
2	L=65.08"/1653mm	Profile	T-Slotted Profile OB2550A	4.55	1
1	L=45.28"/1150mm	Profile	T-Slotted Profile OB2550A	3.16	2
ITEM NO.	Part NO	Description	Material	Weight	Q-ty

**PROPRIETARY AND CONFIDENTIAL**  
THIS DRAWING AND THE INFORMATION AND TECHNICAL DATA CONTAINED HEREIN ARE THE EXCLUSIVE PROPERTY OF Brightlink AV LTD. AND SHALL BE RETURNED TO THEM UPON REQUEST. THE DRAWING CONTAINS PROPRIETARY AND CONFIDENTIAL INFORMATION AND IS NOT TO BE REPRODUCED IN WHOLE OR IN PART OR DISCLOSED TO ANYONE ELSE WITHOUT THE EXPRESS WRITTEN CONSENT OF Brightlink AV LTD.

UNLESS OTHERWISE SPECIFIED:		NAME		DATE	
DIMENSIONS ARE IN INCHES		DRAWN	SL.		
TOLERANCES:		CHECKED	TE.		
FRACTIONAL: ±1/64		ENG APPR.			
ANGULAR: MACH±.5°		MFG APPR.			
ONE PLACE DECIMAL ±0.1"		Q.A.	TE.		
TWO PLACE DECIMAL ±0.01"		COMMENTS:			
THREE PLACE DECIMAL ±0.005"		1. THIRD ANGLE PROJECTION			
MACHINED SURFACE 125 µin.					
INTERPRET GEOMETRIC TOLERANCING PER ASME Y14.5M - 2009.					
MATERIAL					
ASSEMBLY					
FINISH					
NEXT ASSY	USED ON				
APPLICATION	DO NOT SCALE DRAWING				

**Brightlink**  
TITLE: LED Wall Mounting Frame 190"-7x7  
SIZE DWG. NO. REV  
C BL-PS-COB-LED-190x7\_01  
SCALE: 1:15 WEIGHT: 49.16 SHEET 1 OF 2

NOTES:  
1. Dimensions are in inches/[mm].

4

3

2

1

D

D

C

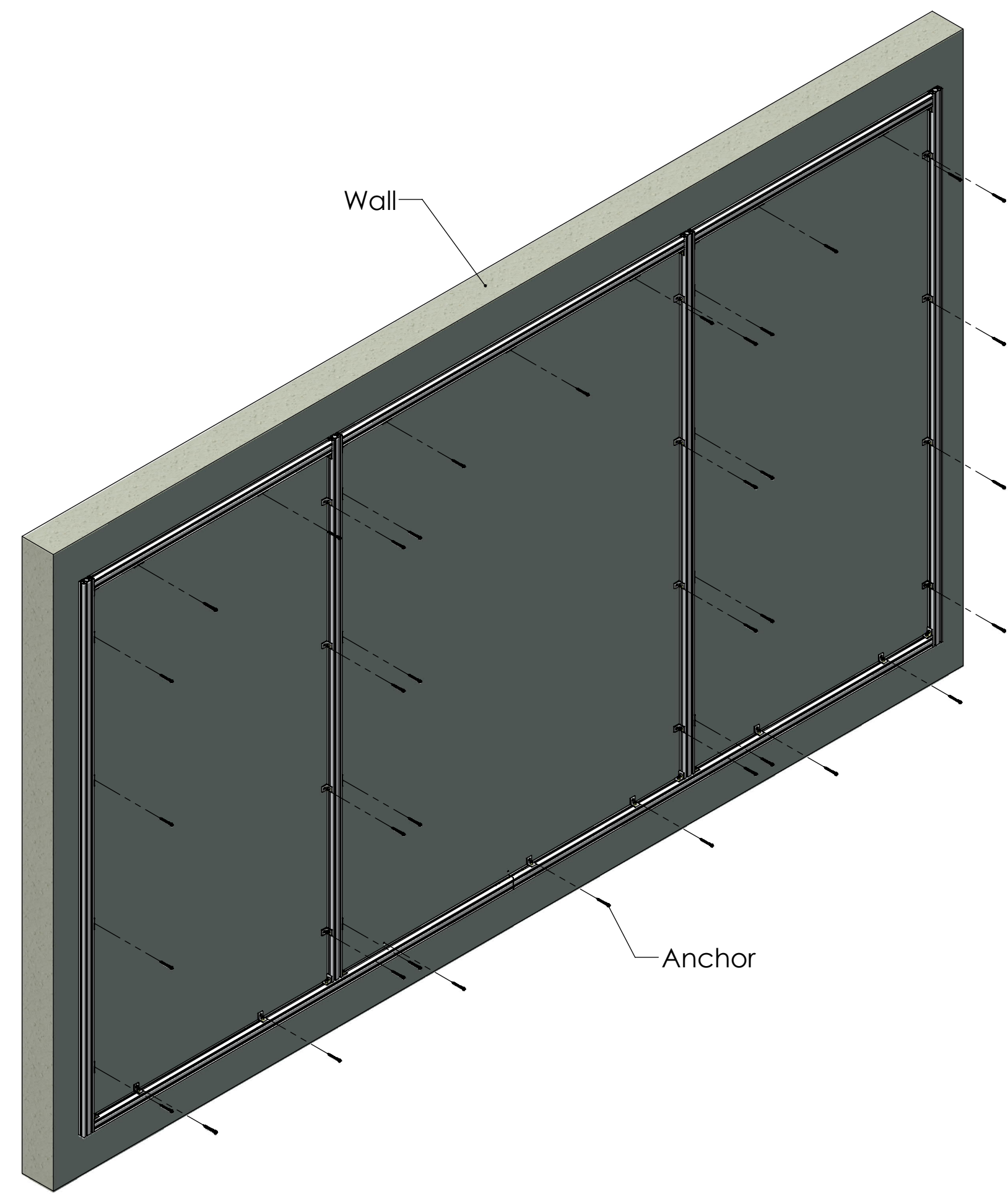
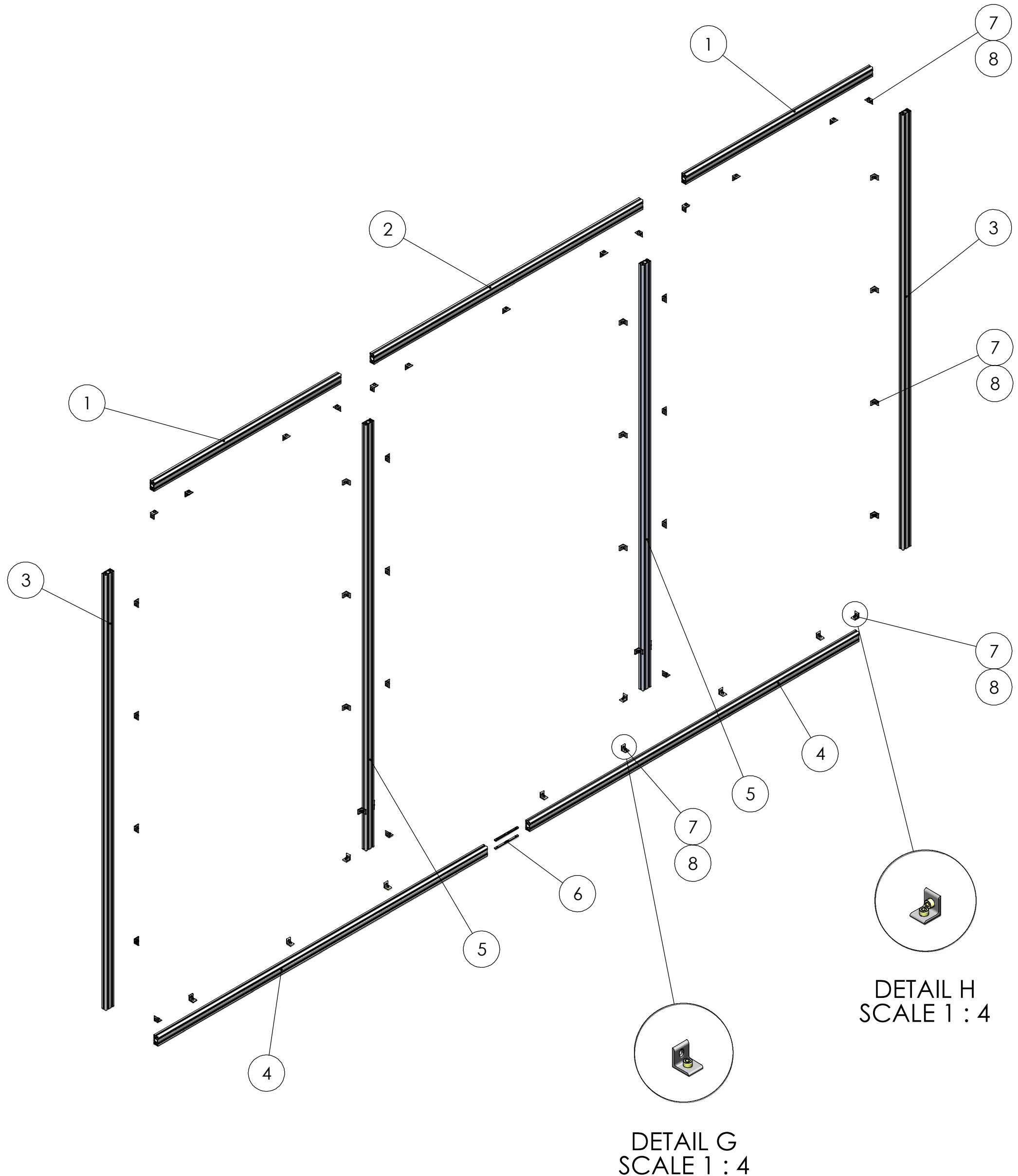
C

B

B

A

A



**PROPRIETARY AND CONFIDENTIAL**  
 THIS DRAWING AND THE INFORMATION AND TECHNICAL DATA CONTAINED HEREIN ARE THE EXCLUSIVE PROPERTY OF Brightlink AV LTD. AND SHALL BE RETURNED TO THEM UPON REQUEST. THE DRAWING CONTAINS PROPRIETARY AND CONFIDENTIAL INFORMATION AND IS NOT TO BE REPRODUCED IN WHOLE OR IN PART OR DISCLOSED TO ANYONE ELSE WITHOUT THE EXPRESS WRITTEN CONSENT OF Brightlink AV LTD.

UNLESS OTHERWISE SPECIFIED:		NAME	DATE
DIMENSIONS ARE IN INCHES		DRAWN	SL.
TOLERANCES:		CHECKED	TE.
FRACTIONAL: ± 1/64		ENG APPR.	
ANGULAR: MACH ± .5°		MFG APPR.	
ONE PLACE DECIMAL ± 0.1"		Q.A.	TE.
TWO PLACE DECIMAL ± 0.01"		COMMENTS:	
THREE PLACE DECIMAL ± 0.005"		1. THIRD ANGLE PROJECTION	
MACHINED SURFACE 125 µin.			
INTERPRET GEOMETRIC TOLERANCING PER ASME Y14.5M - 2009.			
MATERIAL ASSEMBLY			
FINISH			
NEXT ASSY	USED ON		
APPLICATION		DO NOT SCALE DRAWING	

<b>Brightlink</b>		
TITLE: LED Wall Mounting Frame 190"-7x7		
SIZE	DWG. NO.	REV
<b>C</b>	BL-PS-COB-LED-190-7x7_01	
SCALE: 1:16	WEIGHT: 49.16	SHEET 2 OF 2

4

3

2

1

4

3

2

1

D

D

C

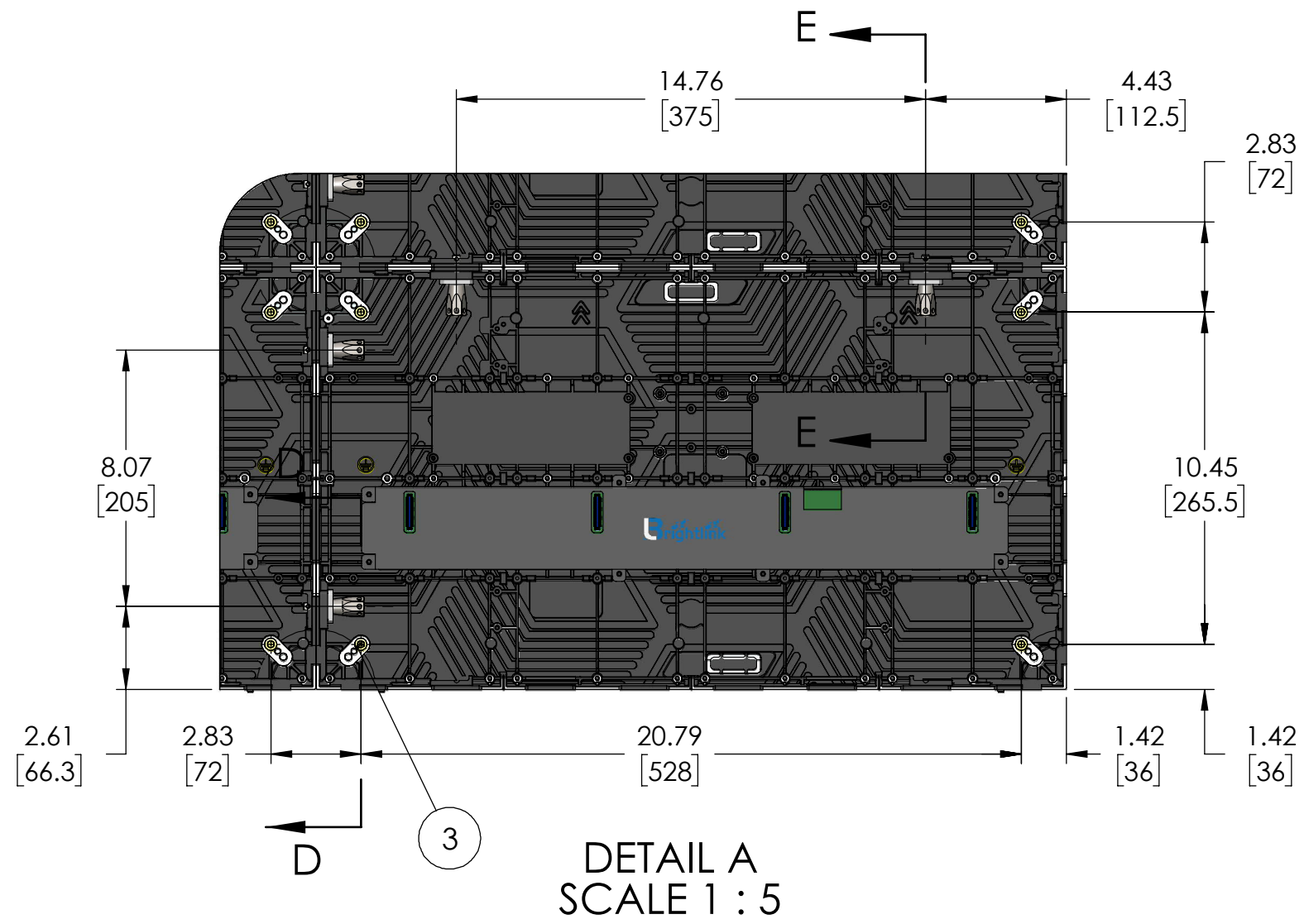
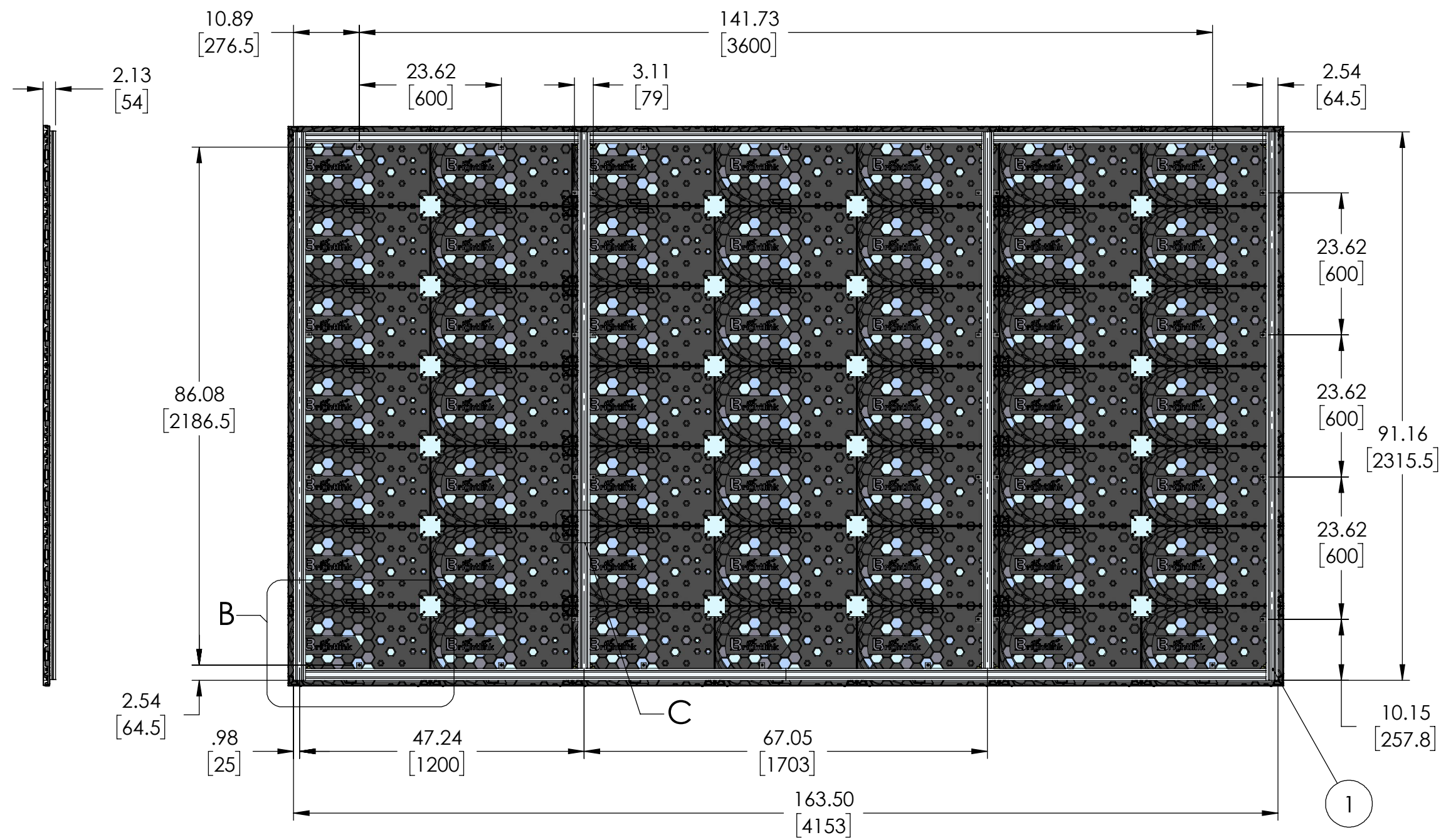
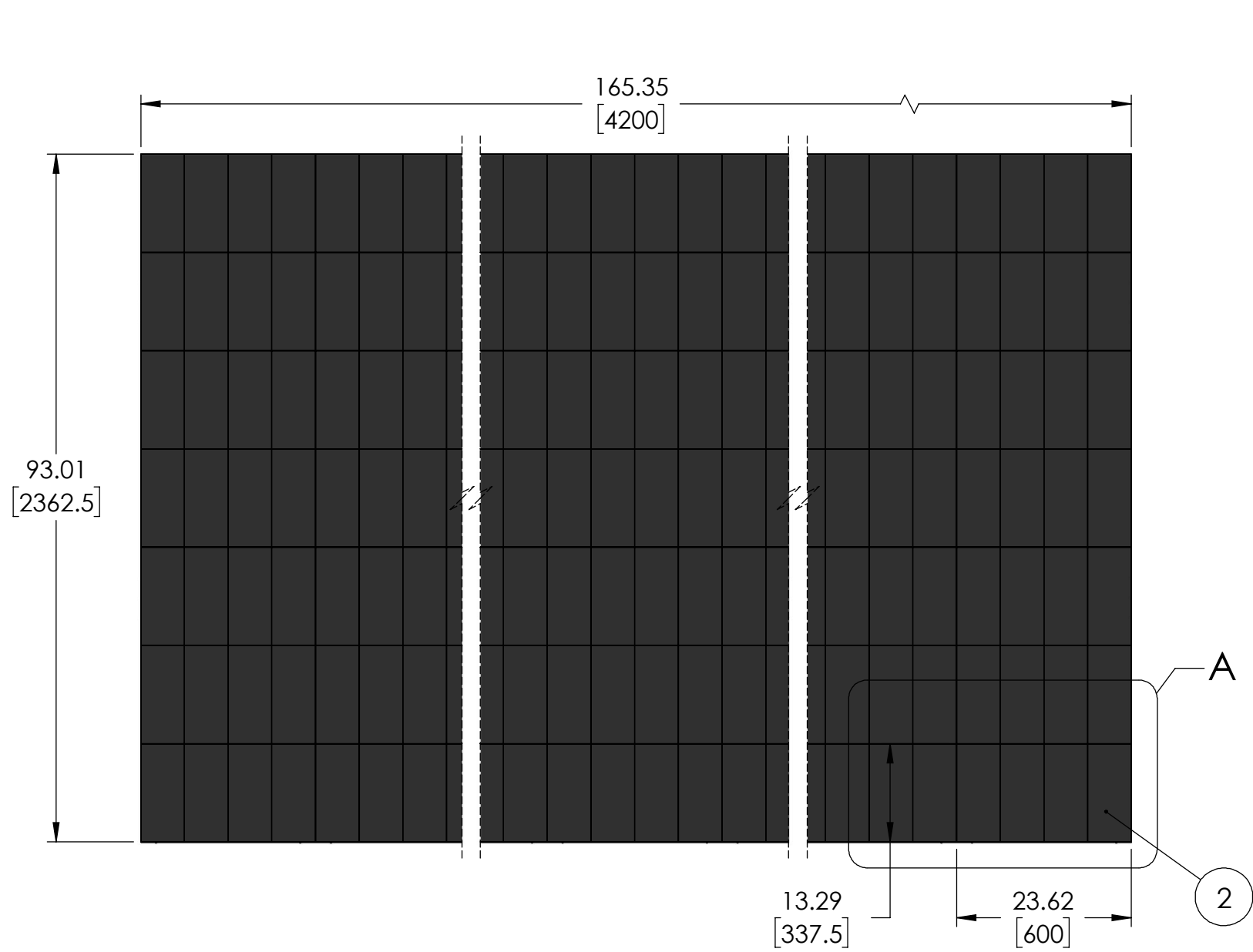
C

B

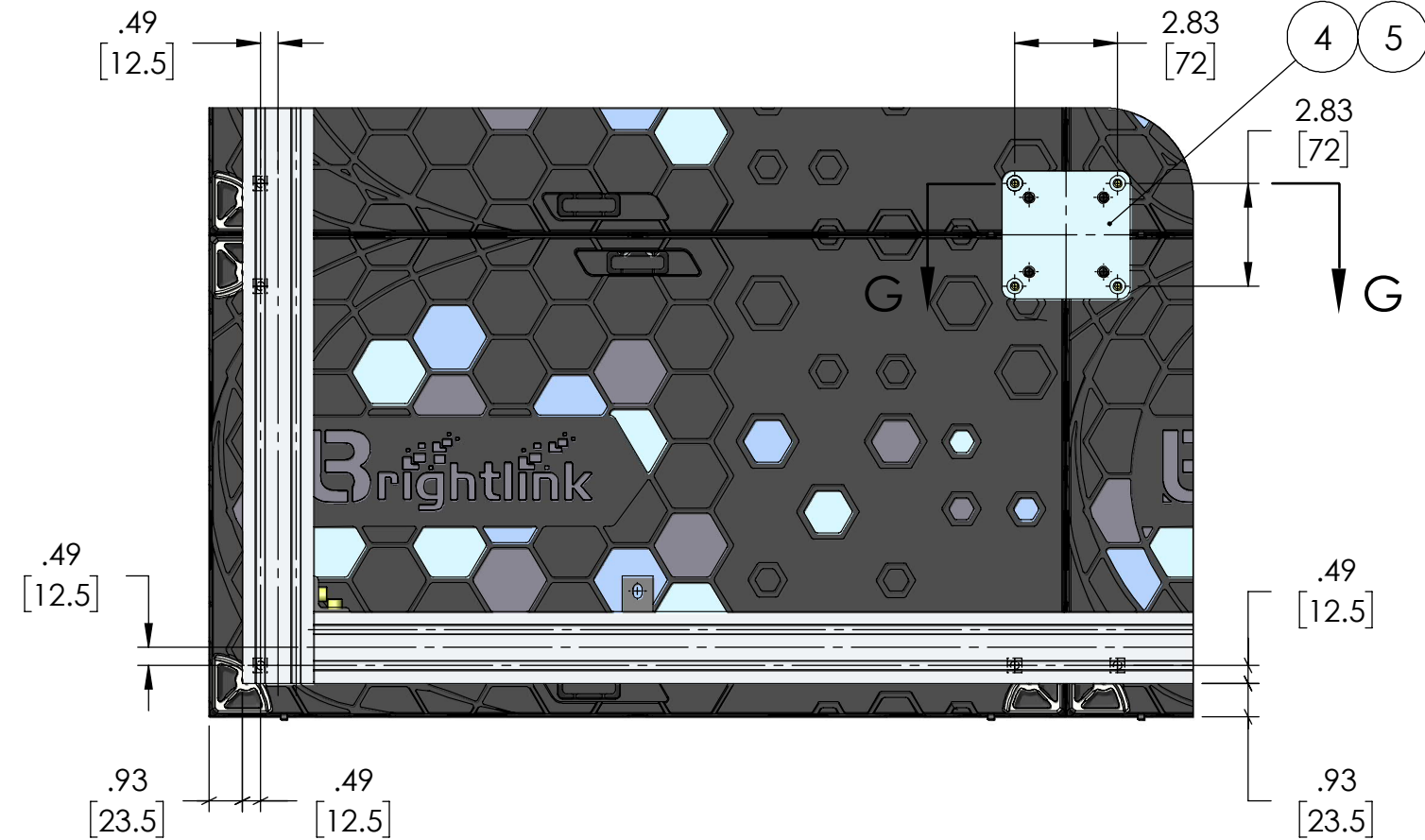
B

A

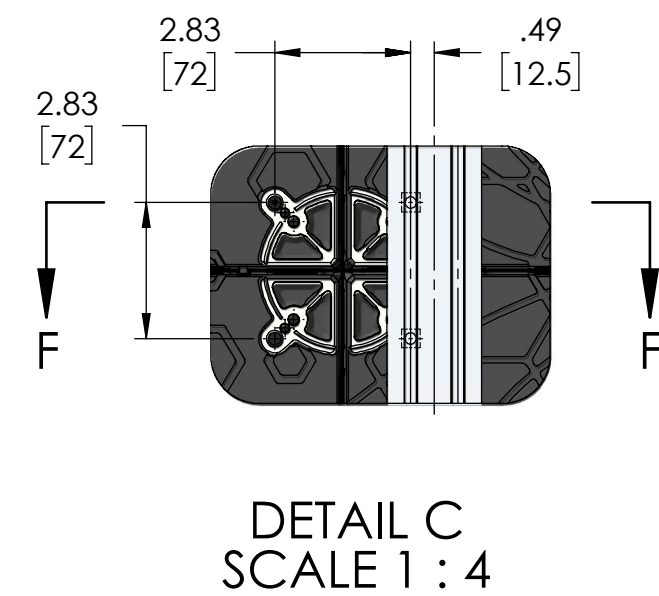
A



DETAIL A SCALE 1 : 5



DETAIL B SCALE 1 : 5



DETAIL C SCALE 1 : 4

NOTES:

1. Dimensions are in inches/[mm].
2. Cabinet installation begins from the bottom row.

ITEM NO.	Part NO	Description	Material	Weight	Q-ty
5		Screw	SHCS M6x20	0.017	96
4		Joint Plate	Mild Steel	0.42	24
3		Screw/Nut	Fastening Kit M6 For T-Slotted Framing	0.02	76
2	BL-PS-COB-LED-CABINET	LED Cabinet 600x337.5mm		7.72	49
1	BL-PS-COB-LED-190-7x7_01	LED Wall Mounting Frame 190"-7x7	ASSEMBLY	49.16	1

**PROPRIETARY AND CONFIDENTIAL**  
 THIS DRAWING AND THE INFORMATION AND TECHNICAL DATA CONTAINED HEREIN ARE THE EXCLUSIVE PROPERTY OF Brightlink AV LTD. AND SHALL BE RETURNED TO THEM UPON REQUEST. THE DRAWING CONTAINS PROPRIETARY AND CONFIDENTIAL INFORMATION AND IS NOT TO BE REPRODUCED IN WHOLE OR IN PART OR DISCLOSED TO ANYONE ELSE WITHOUT THE EXPRESS WRITTEN CONSENT OF Brightlink AV LTD.

UNLESS OTHERWISE SPECIFIED:	NAME	DATE
DIMENSIONS ARE IN INCHES		
TOLERANCES:		
FRACTIONAL: ±1/64	DRAWN	SL
ANGULAR: MACH±.5°	CHECKED	TE
ONE PLACE DECIMAL ±0.1"	ENG APPR.	
TWO PLACE DECIMAL ±0.01"	MFG APPR.	
THREE PLACE DECIMAL ±0.005"	Q.A.	TE
INTERPRET GEOMETRIC TOLERANCING PER ASME Y14.5M - 2009.	COMMENTS:	
MATERIAL	1. THIRD ANGLE PROJECTION	
FINISH		
ASSEMBLY		
APPLICATION	DO NOT SCALE DRAWING	

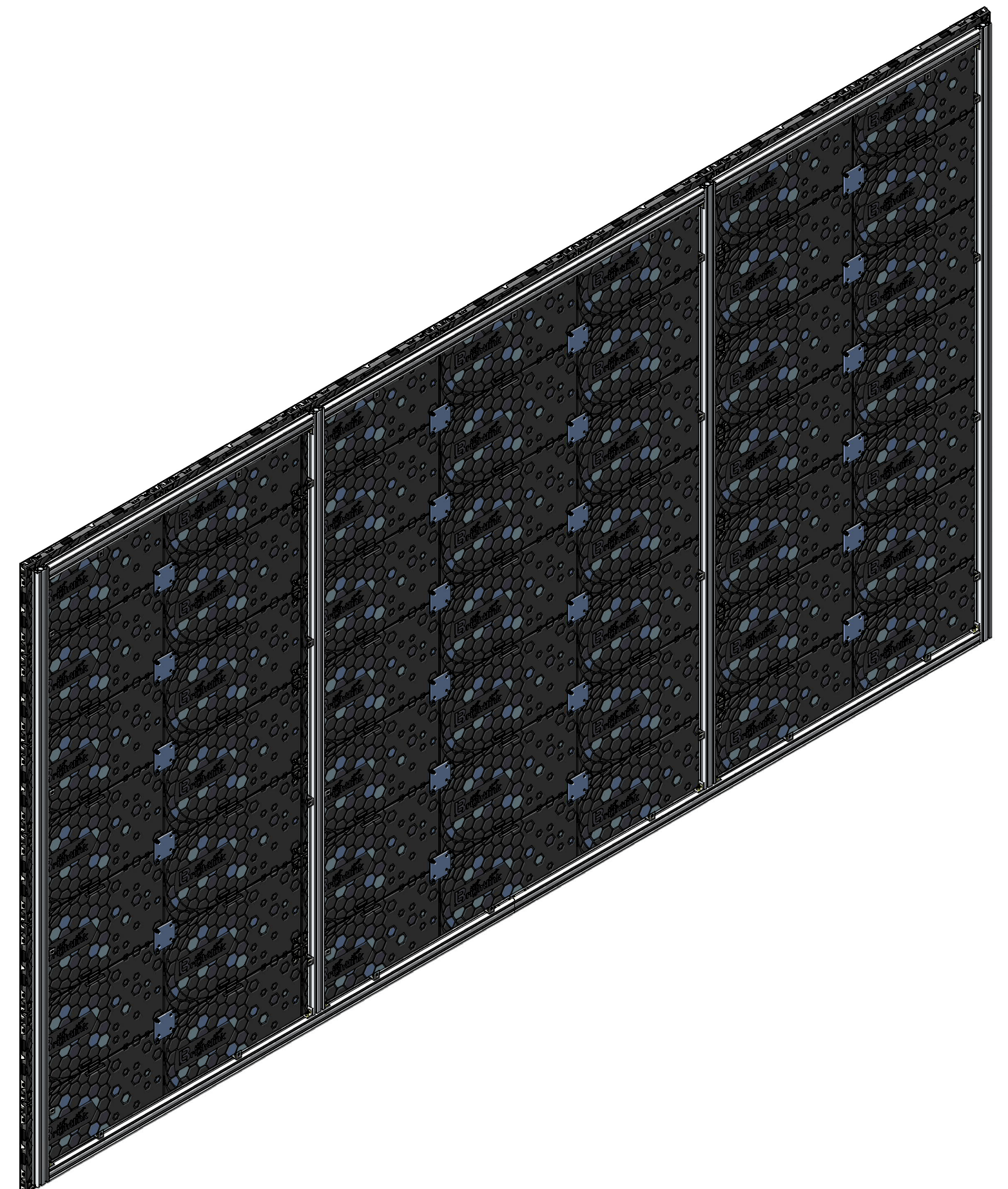
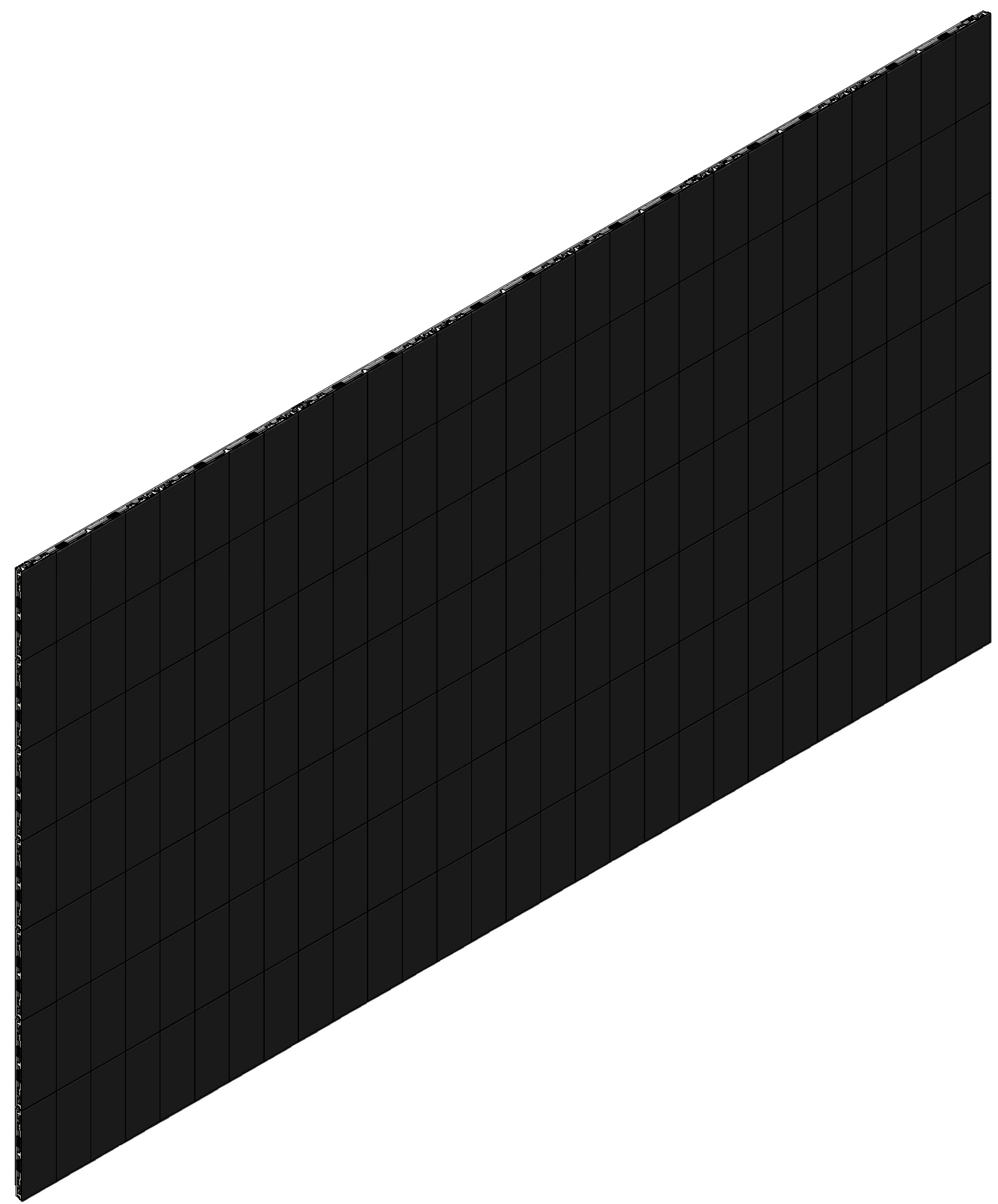
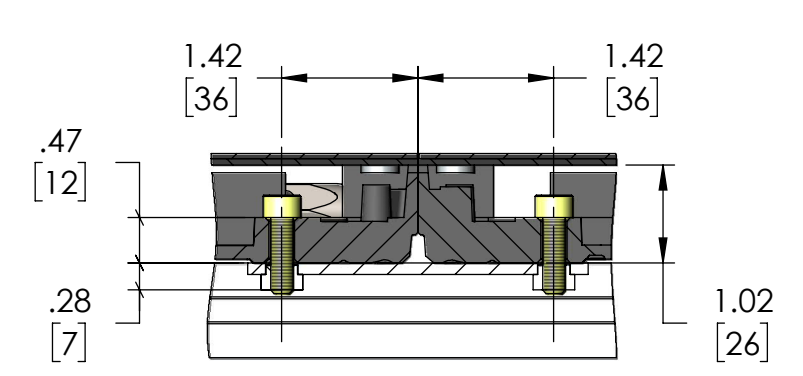
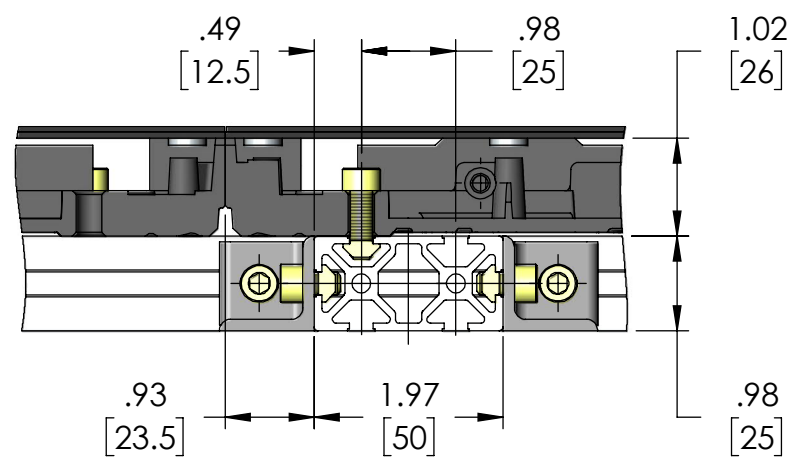
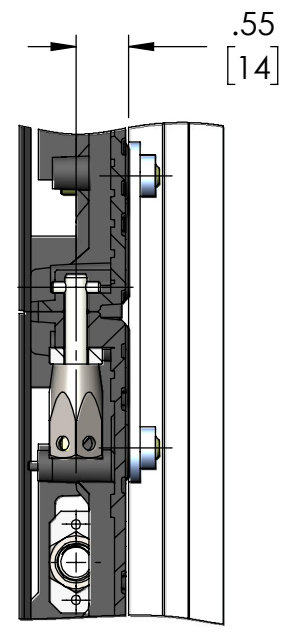
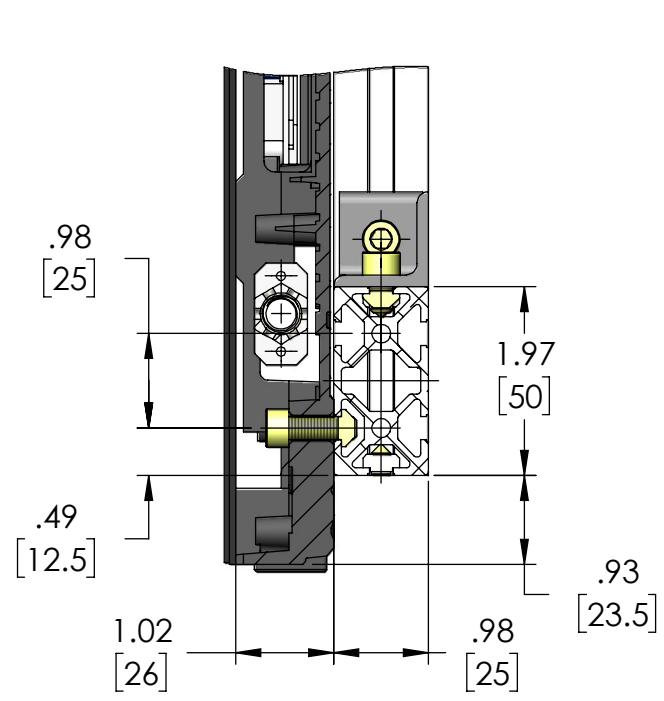
Brightlink		
TITLE:		
LED Wall System 190"-7x7		
SIZE	DWG. NO.	REV
C	BL-PS-COB-LED-190-7x7	
SCALE: 1:20	WEIGHT:441	SHEET 1 OF 2

4

3

2

1



**PROPRIETARY AND CONFIDENTIAL**  
THIS DRAWING AND THE INFORMATION AND TECHNICAL DATA CONTAINED HEREIN ARE THE EXCLUSIVE PROPERTY OF Brightlink AV LTD. AND SHALL BE RETURNED TO THEM UPON REQUEST. THE DRAWING CONTAINS PROPRIETARY AND CONFIDENTIAL INFORMATION AND IS NOT TO BE REPRODUCED IN WHOLE OR IN PART OR DISCLOSED TO ANYONE ELSE WITHOUT THE EXPRESS WRITTEN CONSENT OF Brightlink AV LTD.

		UNLESS OTHERWISE SPECIFIED:		DRAWN		NAME		DATE	
		DIMENSIONS ARE IN INCHES		SL.					
		TOLERANCES:		CHECKED		TE.		TITLE:	
		FRACTIONAL: ± 1/64		ENG APPR.				LED Wall System	
		ANGULAR: MACH ± .5°		MFG APPR.				190"- 7x7	
		ONE PLACE DECIMAL ± 0.1"		Q.A.		TE.		SIZE	
		TWO PLACE DECIMAL ± 0.01"		COMMENTS:		1. THIRD ANGLE PROJECTION		DWG. NO.	
		THREE PLACE DECIMAL ± 0.005"						C	
		MACHINED SURFACE 125 μin.						BL-PS-COB-LED-190-7x7	
		INTERPRET GEOMETRIC TOLERANCING PER ASME Y14.5M - 2009.						REV	
NEXT ASSY		USED ON		FINISH				SCALE: 1:15	
APPLICATION		DO NOT SCALE DRAWING						WEIGHT: 441	
								SHEET 2 OF 2	

