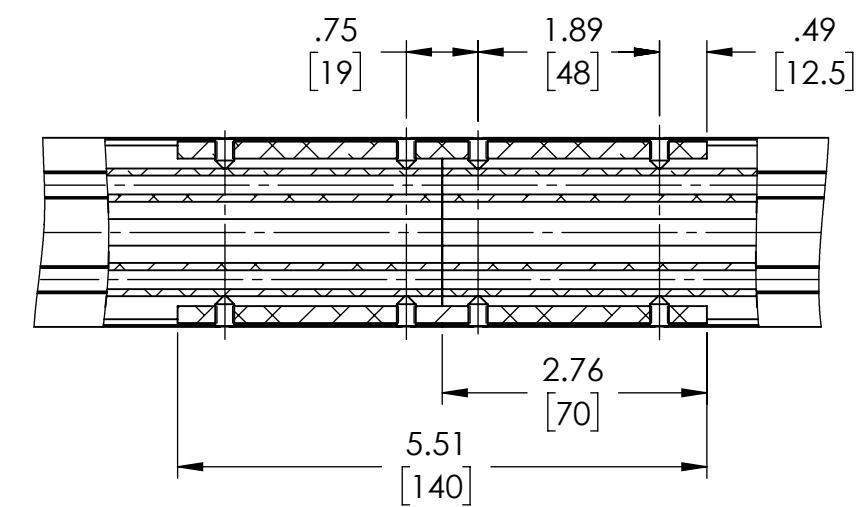
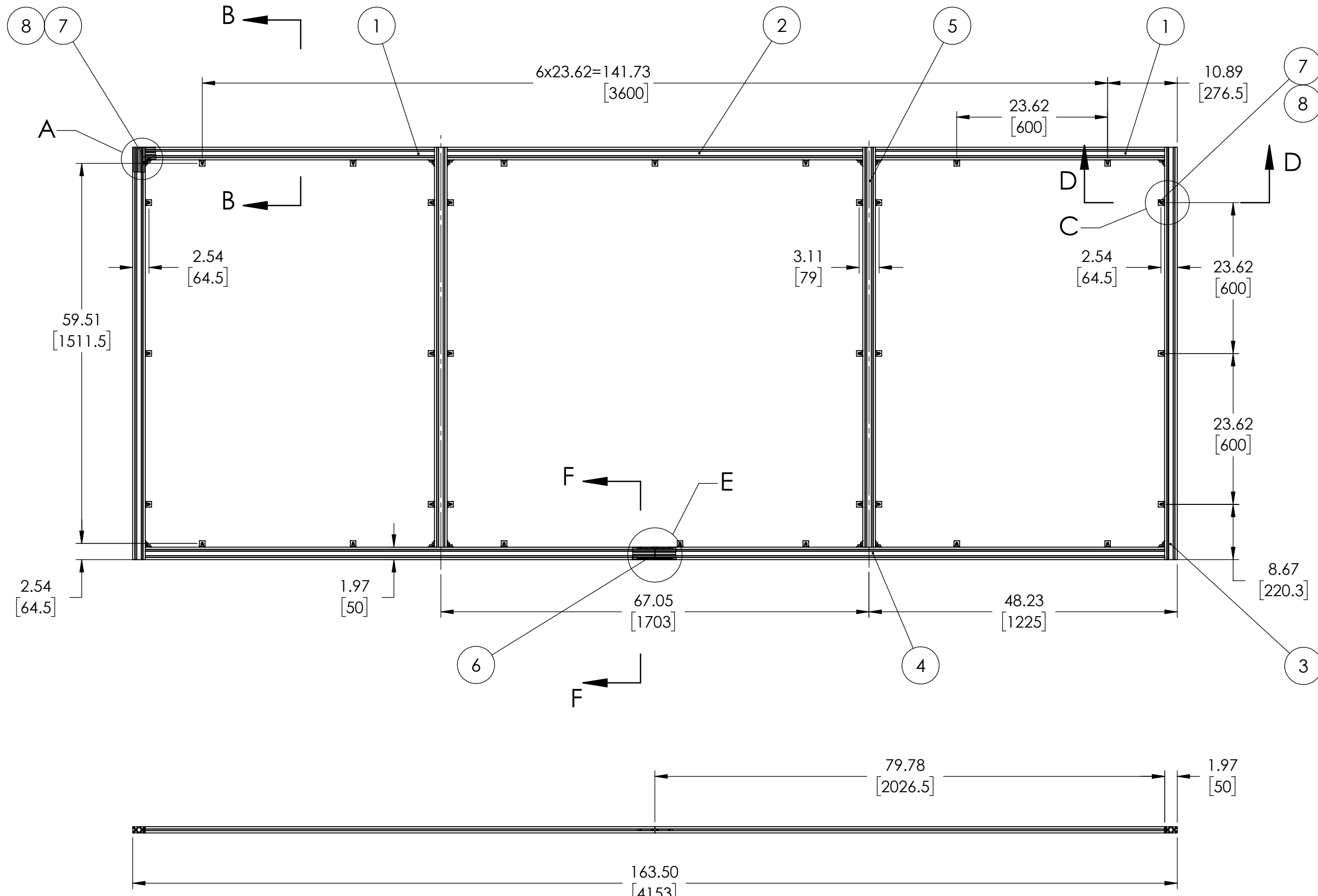


4

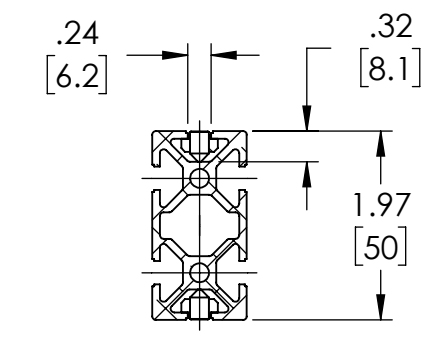
3

2

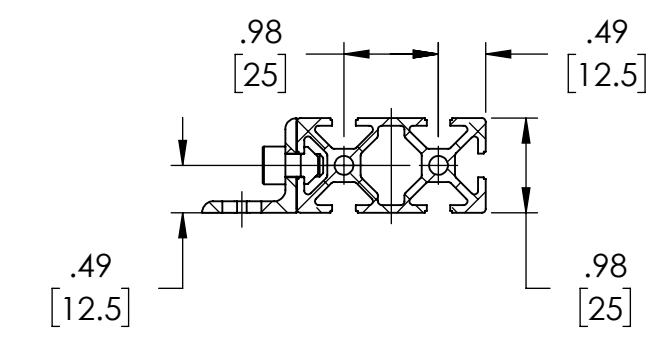
1



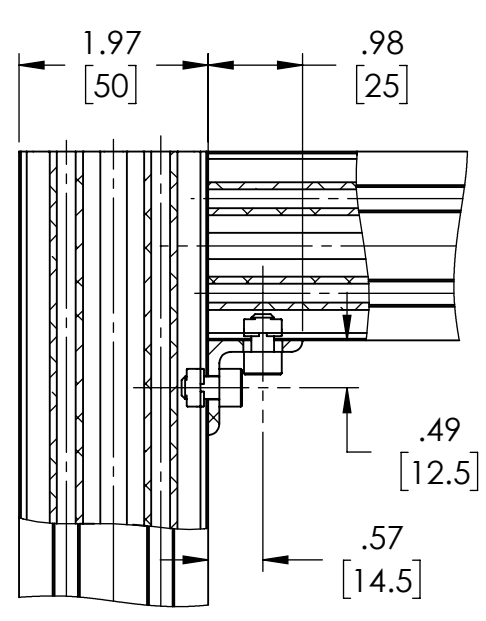
DETAIL E
SCALE 1 : 2



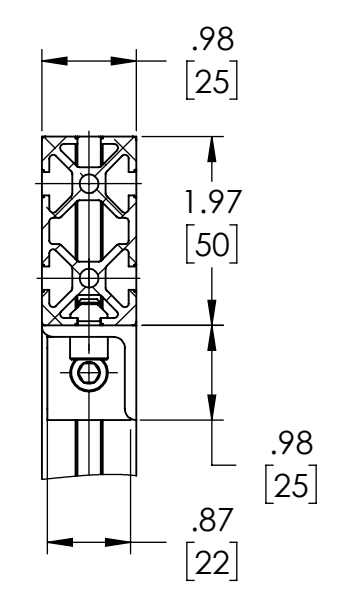
SECTION F-F
SCALE 1 : 2



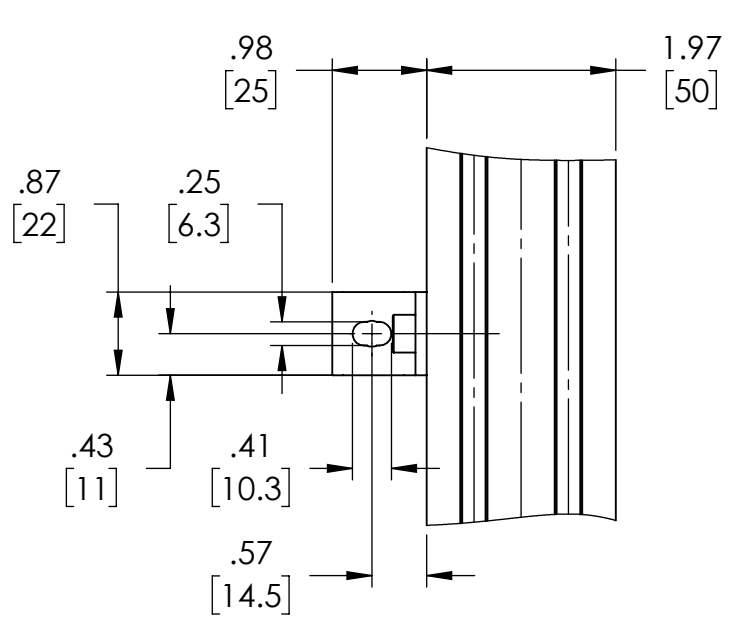
SECTION D-D
SCALE 1 : 2



DETAIL A
SCALE 1 : 2



SECTION B-B
SCALE 1 : 2



DETAIL C
SCALE 1 : 2

NOTES:
1. Dimensions are in inches/[mm].

PROPRIETARY AND CONFIDENTIAL
THIS DRAWING AND THE INFORMATION AND TECHNICAL DATA CONTAINED HEREIN ARE THE EXCLUSIVE PROPERTY OF Brightlink AV LTD. AND SHALL BE RETURNED TO THEM UPON REQUEST. THIS DRAWING CONTAINS PROPRIETARY AND CONFIDENTIAL INFORMATION AND IS NOT TO BE REPRODUCED IN WHOLE OR IN PART OR DISCLOSED TO ANYONE ELSE WITHOUT THE EXPRESS WRITTEN CONSENT OF Brightlink AV LTD.

| 8 | | Screw/Nut | Fastening Kit M6 For T-Slotted Framing | 0.02 | 56 |
|----------|-------------------|-------------|--|--------|------|
| 7 | 6174 | Bracket | Bracket For T-Slotted Framing | 0.02 | 44 |
| 6 | | Connector | Inside Connector For T-Slotted Framing | 0.04 | 2 |
| 5 | L=62.62"/1590.5mm | Profile | T-Slotted Profile OB2550A | 4.38 | 2 |
| 4 | L=79.78"/2026.5mm | Profile | T-Slotted Profile OB2550A | 5.58 | 2 |
| 3 | L=64.59"/1640.5mm | Profile | T-Slotted Profile OB2550A | 4.51 | 2 |
| 2 | L=65.08"/1653mm | Profile | T-Slotted Profile OB2550A | 4.55 | 1 |
| 1 | L=45.28"/1150mm | Profile | T-Slotted Profile OB2550A | 3.16 | 2 |
| ITEM NO. | Part NO | Description | Material | Weight | Q-ty |

| | | | | | | |
|---|--|---------------------------|------|--|---------------|--|
| UNLESS OTHERWISE SPECIFIED: | | NAME | DATE | | | |
| DIMENSIONS ARE IN INCHES | | DRAWN | SL | | | TITLE: LED Wall Mounting Frame 178"-7x5 |
| TOLERANCES: | | CHECKED | TE | | | |
| FRACTIONAL: ±1/64 | | ENG APPR. | | | | |
| ANGULAR: MACH±.5° | | MFG APPR. | | | | |
| ONE PLACE DECIMAL ±0.1" | | Q.A. | TE | SIZE DWG. NO. REV C BL-PS-COB-LED-178-7x5_01 | | |
| TWO PLACE DECIMAL ±0.01" | | COMMENTS: | | | | |
| THREE PLACE DECIMAL ±0.005" | | 1. THIRD ANGLE PROJECTION | | | | |
| MACHINED SURFACE 125 μin. | | | | | | |
| INTERPRET GEOMETRIC TOLERANCING PER ASME Y14.5M - 2009. | | | | SCALE: 1:15 | WEIGHT: 41.53 | |
| MATERIAL | | | | SHEET 1 OF 2 | | |
| FINISH | | | | | | |
| NEXT ASSY | | | | | | |
| USED ON | | | | | | |
| APPLICATION | | | | | | |
| | | DO NOT SCALE DRAWING | | | | |

4

3

2

1

4

3

2

1

D

D

C

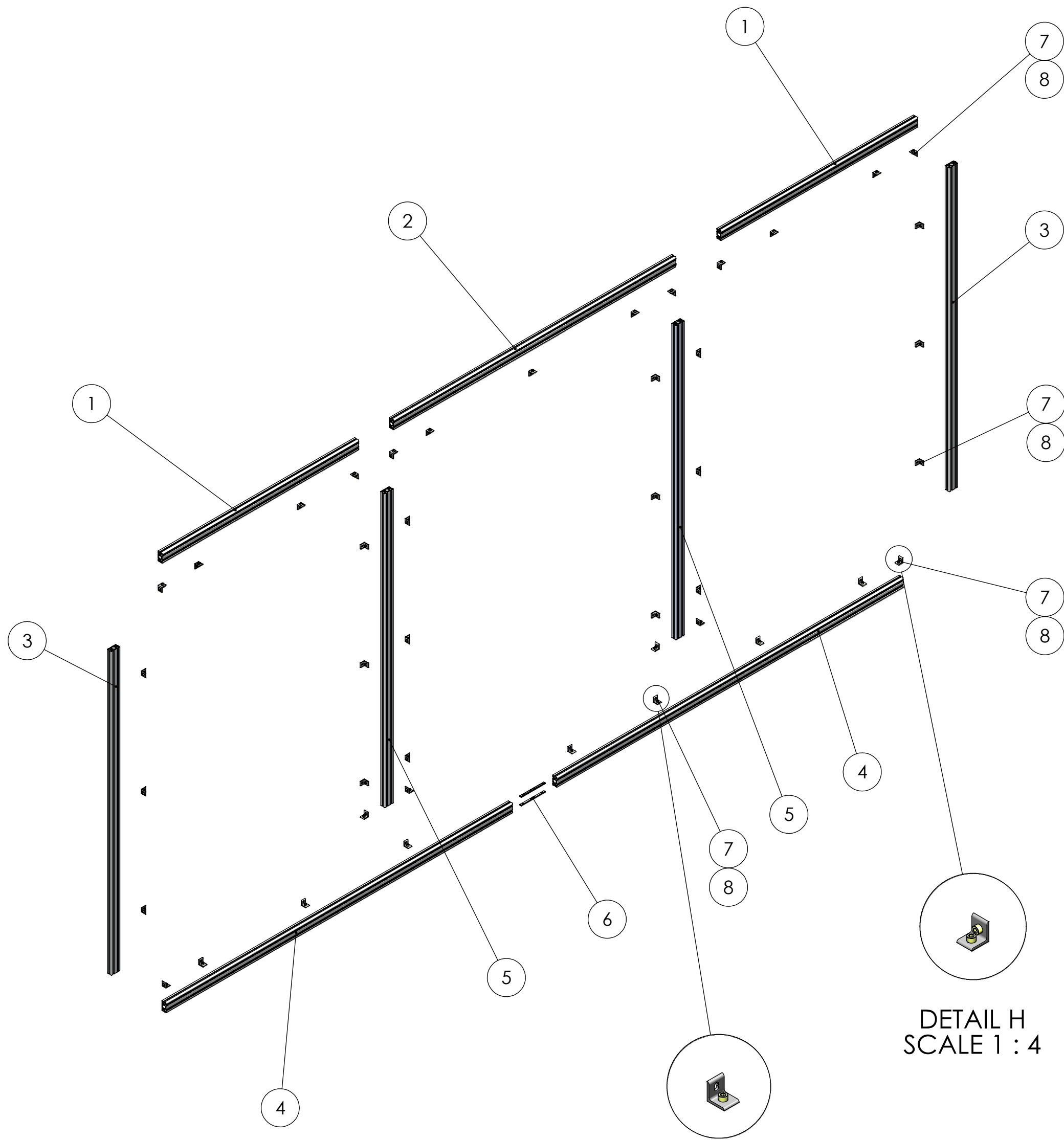
C

B

B

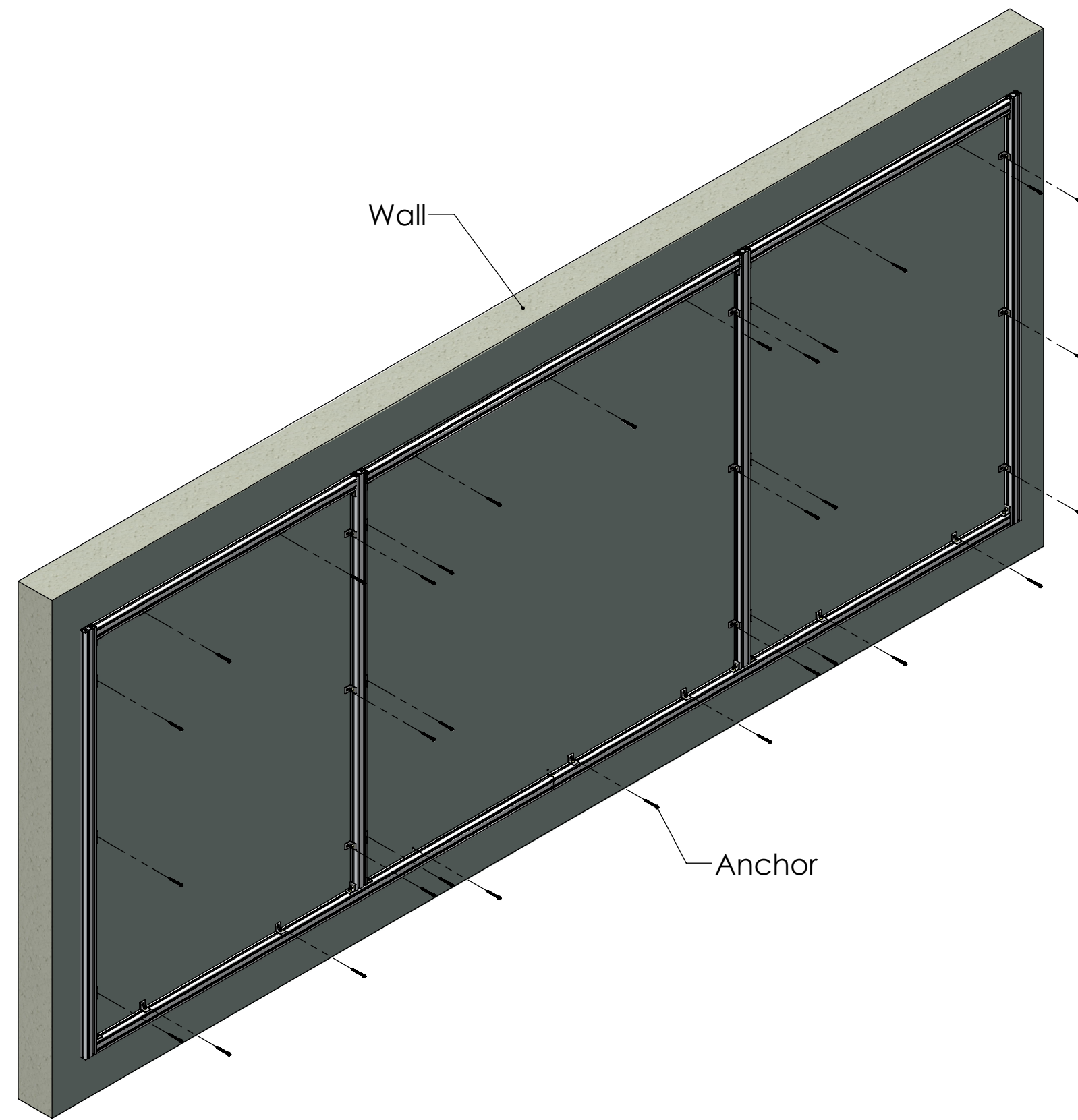
A

A



DETAIL G
SCALE 1 : 4

DETAIL H
SCALE 1 : 4



PROPRIETARY AND CONFIDENTIAL
 THIS DRAWING AND THE INFORMATION AND TECHNICAL DATA CONTAINED HEREIN ARE THE EXCLUSIVE PROPERTY OF Brightlink AV LTD. AND SHALL BE RETURNED TO THEM UPON REQUEST. THIS DRAWING CONTAINS PROPRIETARY AND CONFIDENTIAL INFORMATION AND IS NOT TO BE REPRODUCED IN WHOLE OR IN PART OR DISCLOSED TO ANYONE ELSE WITHOUT THE EXPRESS WRITTEN CONSENT OF Brightlink AV LTD.

| | | | | | |
|-----------|---------|---|---------------------------|------|------|
| | | UNLESS OTHERWISE SPECIFIED: | | NAME | DATE |
| | | DIMENSIONS ARE IN INCHES | DRAWN | SL | |
| | | TOLERANCES: | CHECKED | TE | |
| | | FRACTIONAL: ±1/64 | ENG APPR. | | |
| | | ANGULAR: MACH±.5° | MFG APPR. | | |
| | | ONE PLACE DECIMAL ±0.1" | Q.A. | TE | |
| | | TWO PLACE DECIMAL ±0.01" | COMMENTS: | | |
| | | THREE PLACE DECIMAL ±0.005" | 1. THIRD ANGLE PROJECTION | | |
| | | MACHINED SURFACE 125 µin. | | | |
| | | INTERPRET GEOMETRIC TOLERANCING PER ASME Y14.5M - 2009. | | | |
| | | MATERIAL | | | |
| | | ASSEMBLY | | | |
| | | FINISH | | | |
| NEXT ASSY | USED ON | APPLICATION | | | |
| | | DO NOT SCALE DRAWING | | | |

| | | |
|---|--------------------------|--------------|
| Brightlink | | |
| TITLE: LED Wall Mounting Frame 178"-7x5 | | |
| SIZE | DWG. NO. | REV |
| C | BL-PS-COB-LED-178-7x5_01 | |
| SCALE: 1:16 | WEIGHT: 41.53 | SHEET 2 OF 2 |

4

3

2

1

4

3

2

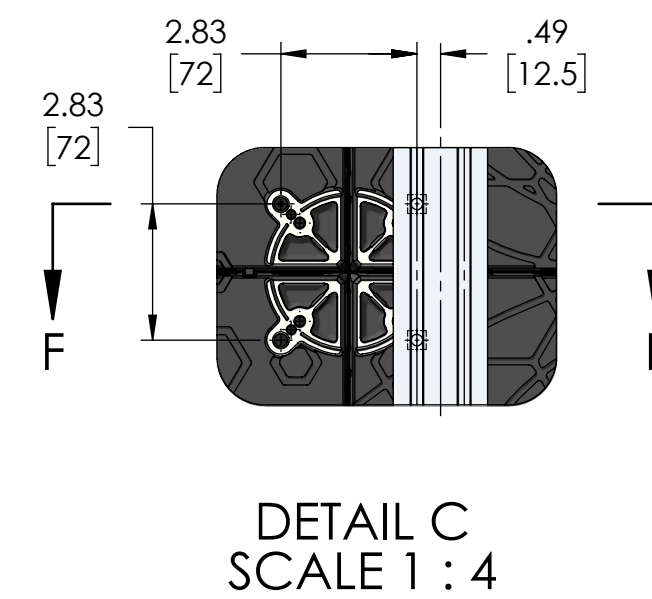
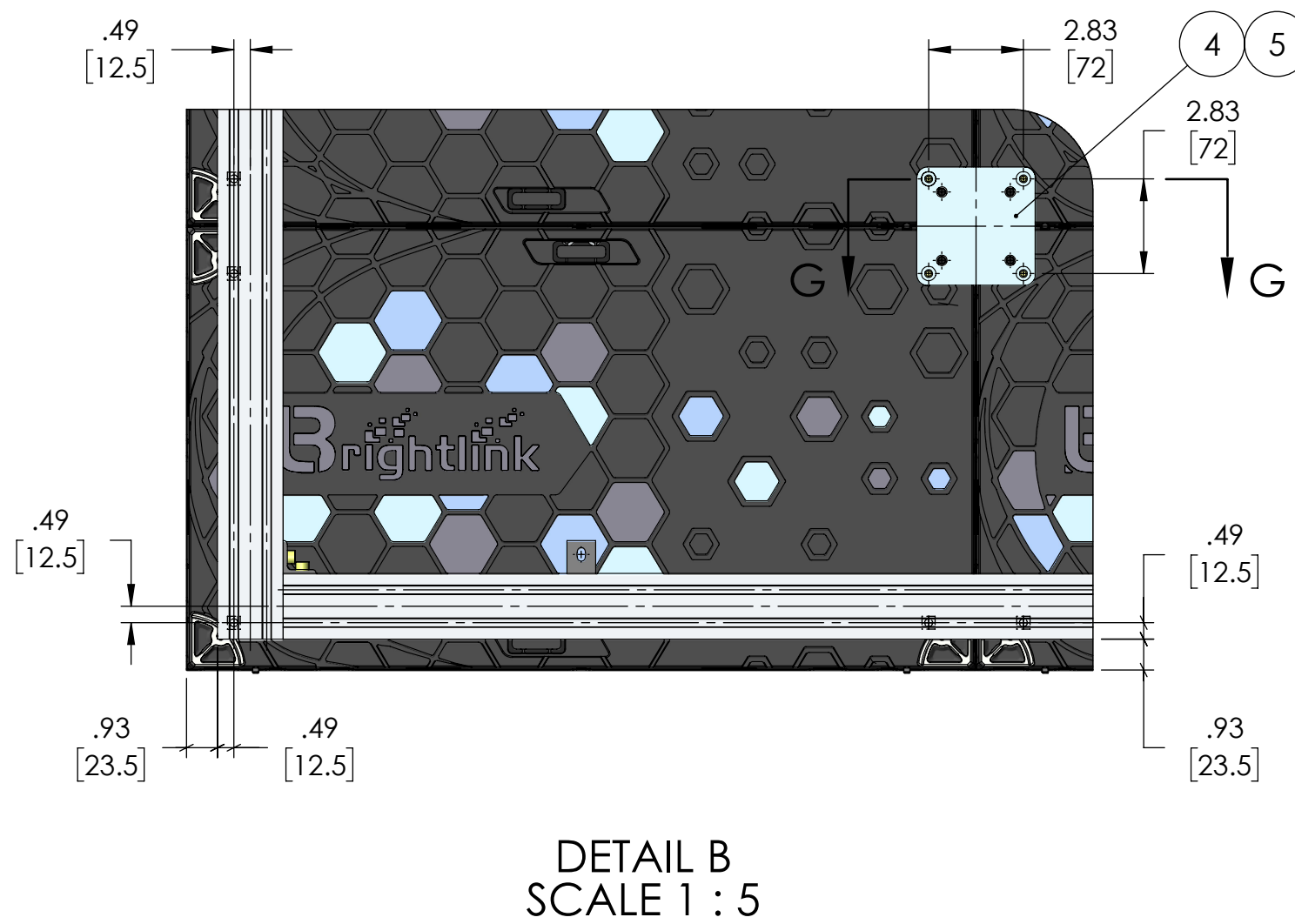
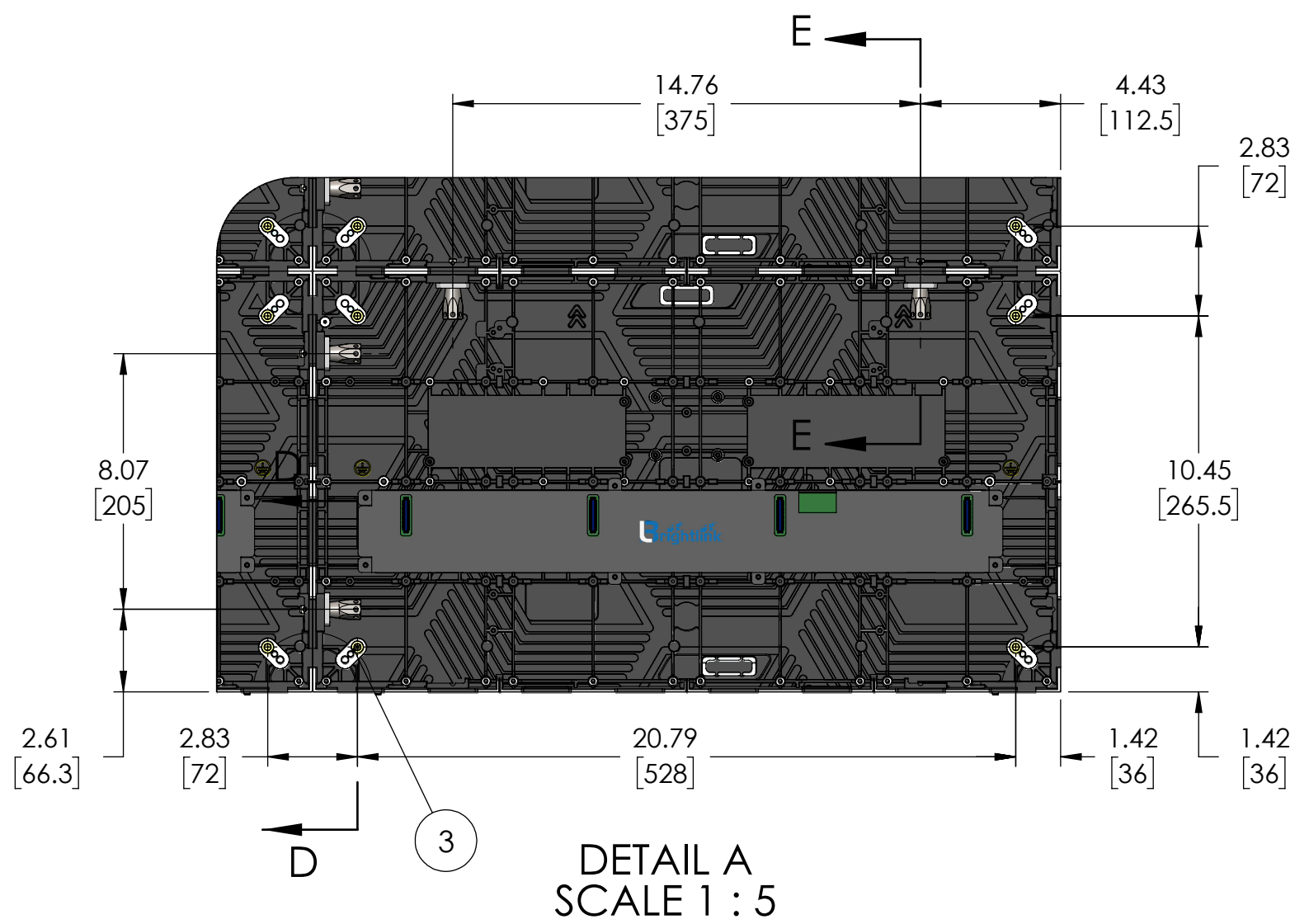
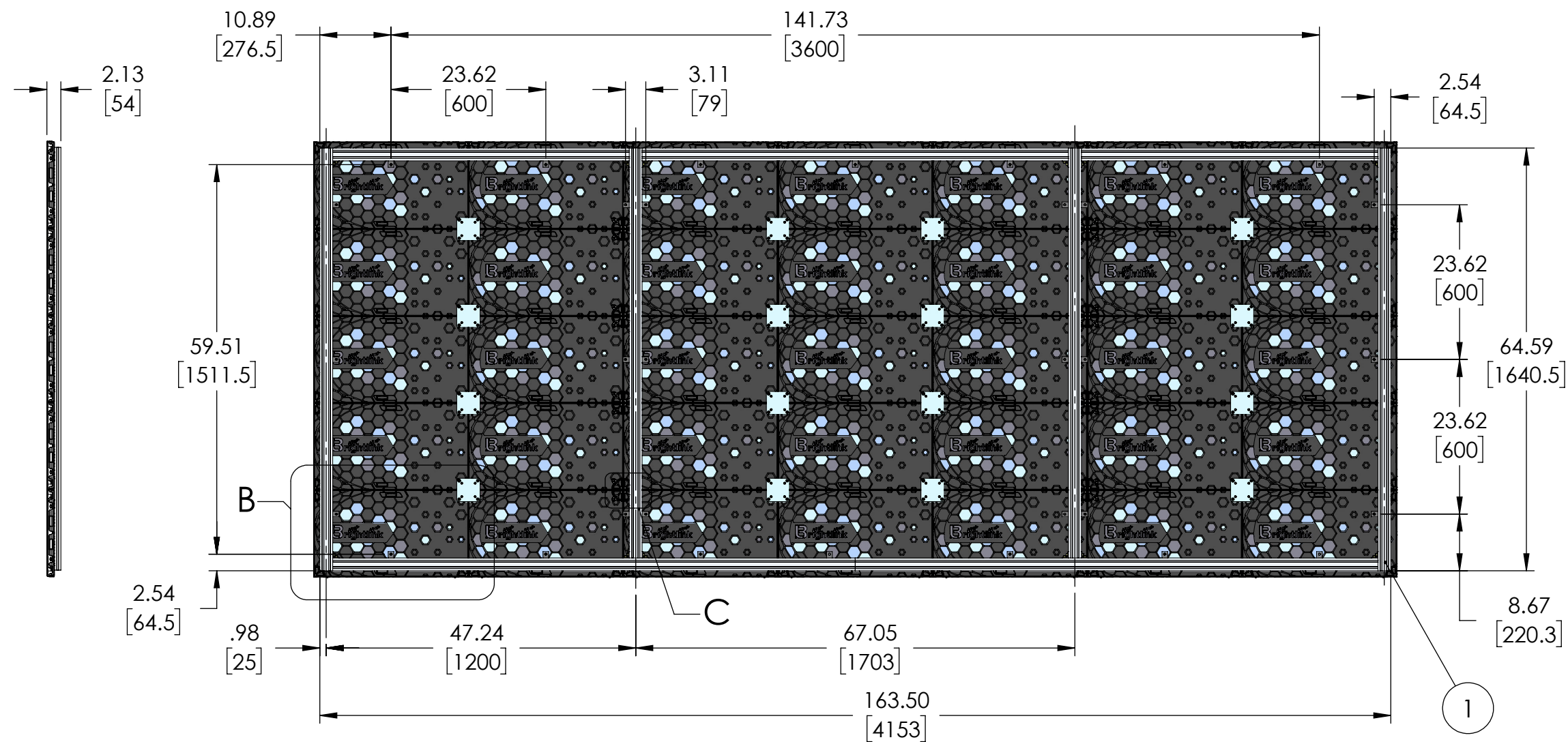
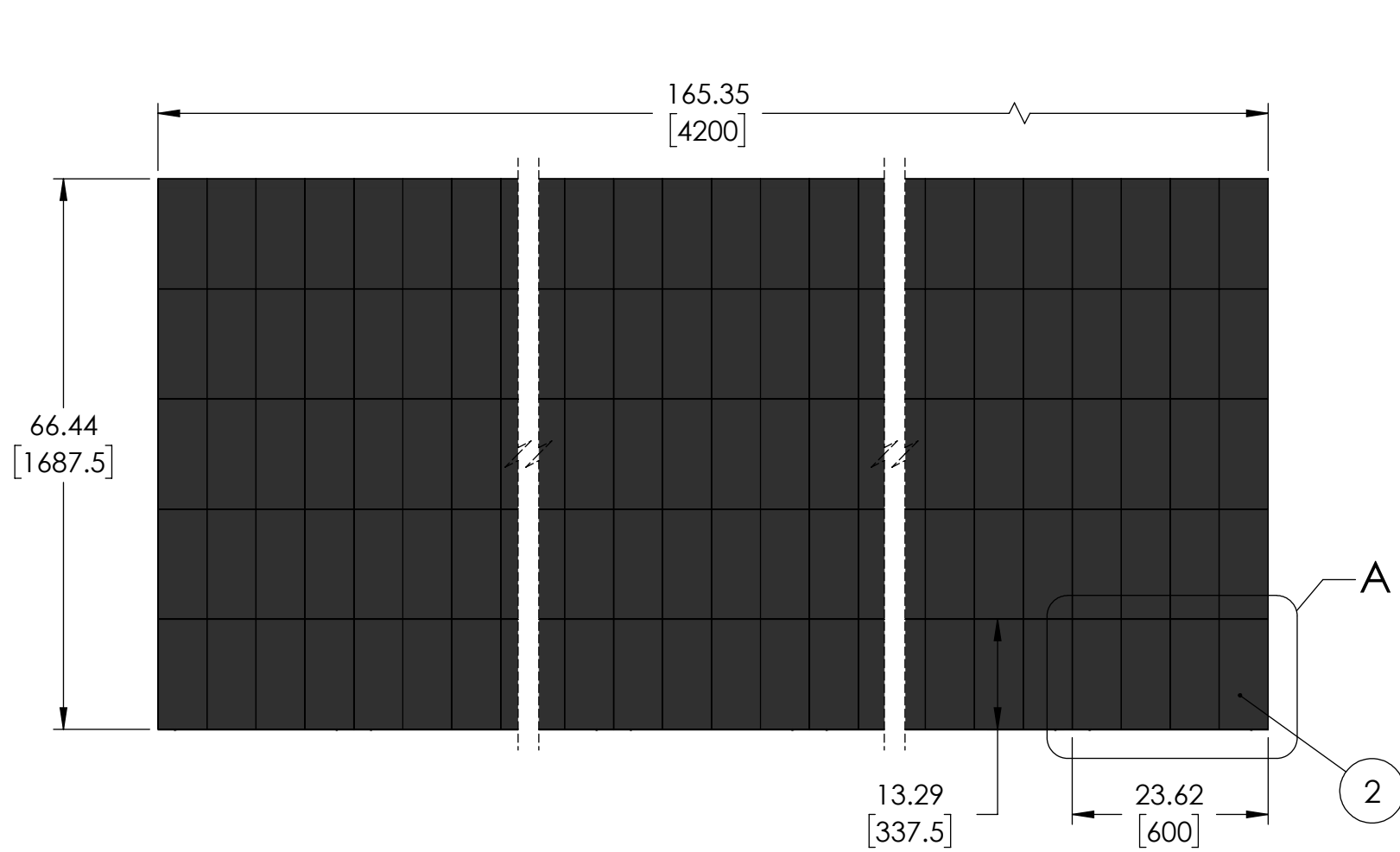
1

D

C

B

A



NOTES:

- 1. Dimensions are in inches/[mm].
- 2. Cabinet installation begins from the bottom row.

| ITEM NO. | Part NO | Description | Material | Weight | Q-ty |
|----------|--------------------------|----------------------------------|--|--------|------|
| 5 | | Screw | SHCS M6x20 | 0.017 | 64 |
| 4 | | Joint Plate | Mild Steel | 0.42 | 16 |
| 3 | | Screw/Nut | Fastening Kit M6 For T-Slotted Framing | 0.02 | 60 |
| 2 | BL-PS-COB-LED-CABINET | LED Cabinet 600x337.5mm | | 7.72 | 35 |
| 1 | BL-PS-COB-LED-178-7x5_01 | LED Wall Mounting Frame 178"-7x5 | ASSEMBLY | 41.53 | 1 |

PROPRIETARY AND CONFIDENTIAL
THIS DRAWING AND THE INFORMATION AND TECHNICAL DATA CONTAINED HEREIN ARE THE EXCLUSIVE PROPERTY OF Brightlink AV LTD AND SHALL BE RETURNED TO THEM UPON REQUEST. THIS DRAWING CONTAINS PROPRIETARY AND CONFIDENTIAL INFORMATION AND IS NOT TO BE REPRODUCED IN WHOLE OR IN PART OR DISCLOSED TO ANYONE ELSE WITHOUT THE EXPRESS WRITTEN CONSENT OF Brightlink AV LTD.

| UNLESS OTHERWISE SPECIFIED: | NAME | DATE |
|--|---------------------------|------|
| DIMENSIONS ARE IN INCHES | DRAWN | SL |
| TOLERANCES: | CHECKED | TE. |
| FRACTIONAL: ±1/64 | ENG APPR. | |
| ANGULAR: MACH±.5° | MFG APPR. | |
| ONE PLACE DECIMAL: ±0.1" | Q.A. | TE. |
| TWO PLACE DECIMAL: ±0.01" | COMMENTS: | |
| THREE PLACE DECIMAL: ±0.005" | 1. THIRD ANGLE PROJECTION | |
| MACHINED SURFACE: 125 µin. | | |
| INTERPRET GEOMETRIC TOLERANCING PER: ASME Y14.5M - 2009. | | |
| MATERIAL: ASSEMBLY | | |
| FINISH: | | |
| APPLICATION: | | |
| DO NOT SCALE DRAWING | | |

| Brightlink | | |
|---------------------------------------|-----------------------|--------------|
| TITLE: LED Wall System 178"-7x5 | | |
| SIZE | DWG. NO. | REV |
| C | BL-PS-COB-LED-178-7x5 | |
| SCALE: 1:20 | WEIGHT:321 | SHEET 1 OF 2 |

4

3

2

1

D

C

B

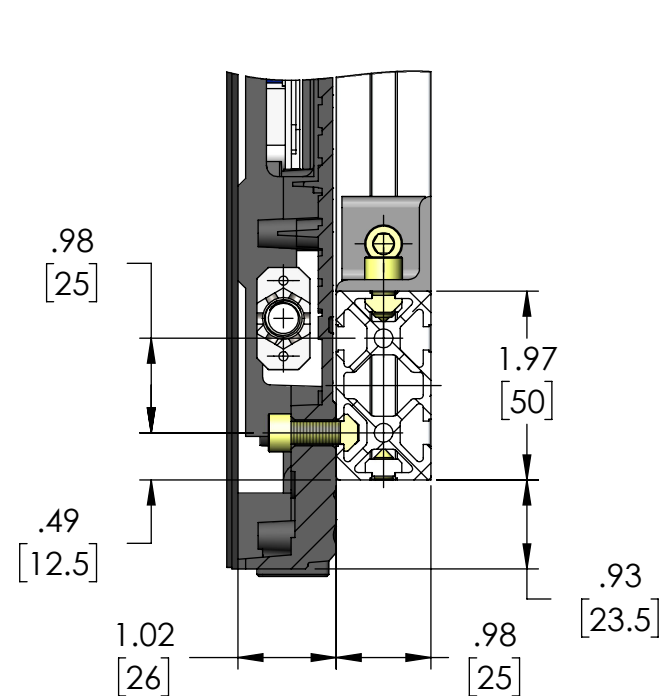
A

4

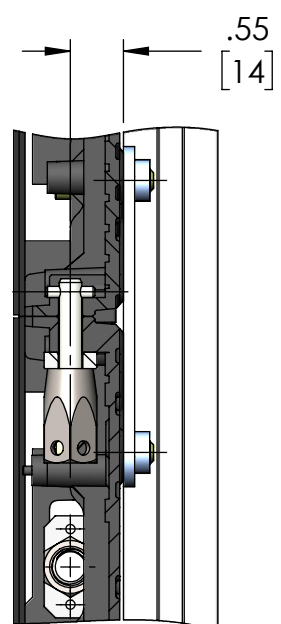
3

2

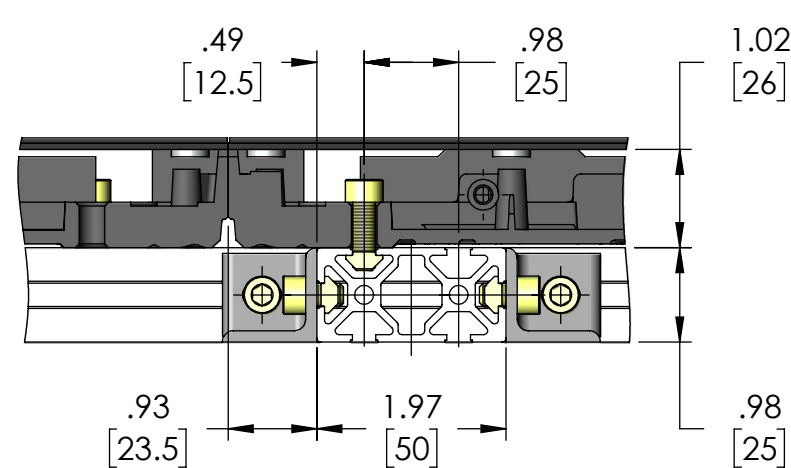
1



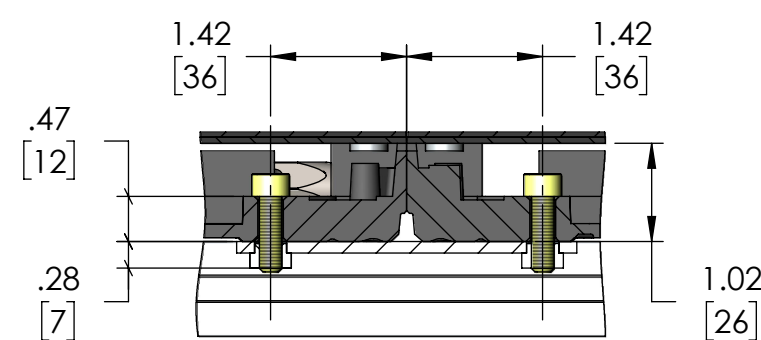
SECTION D-D
SCALE 1 : 2



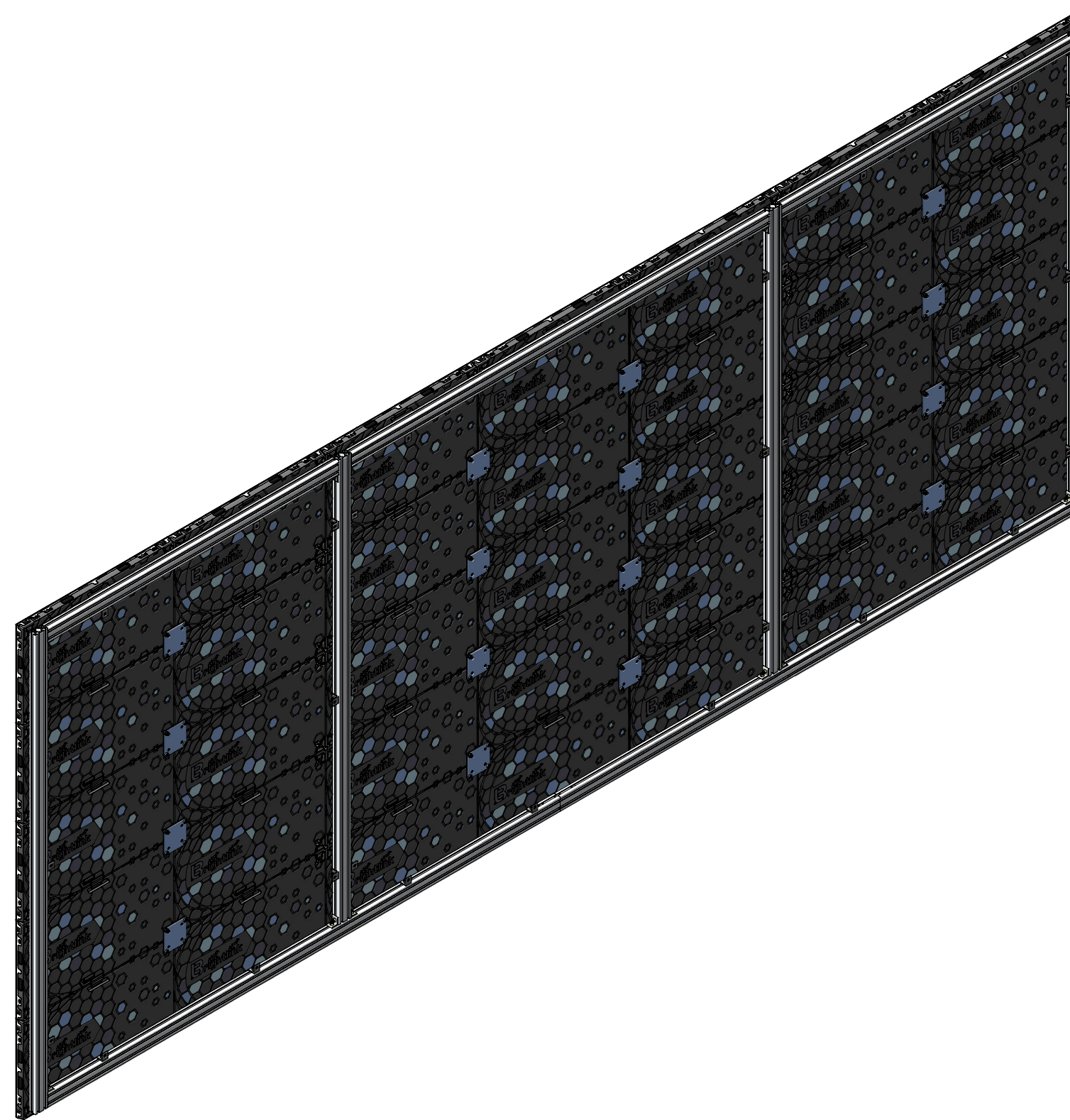
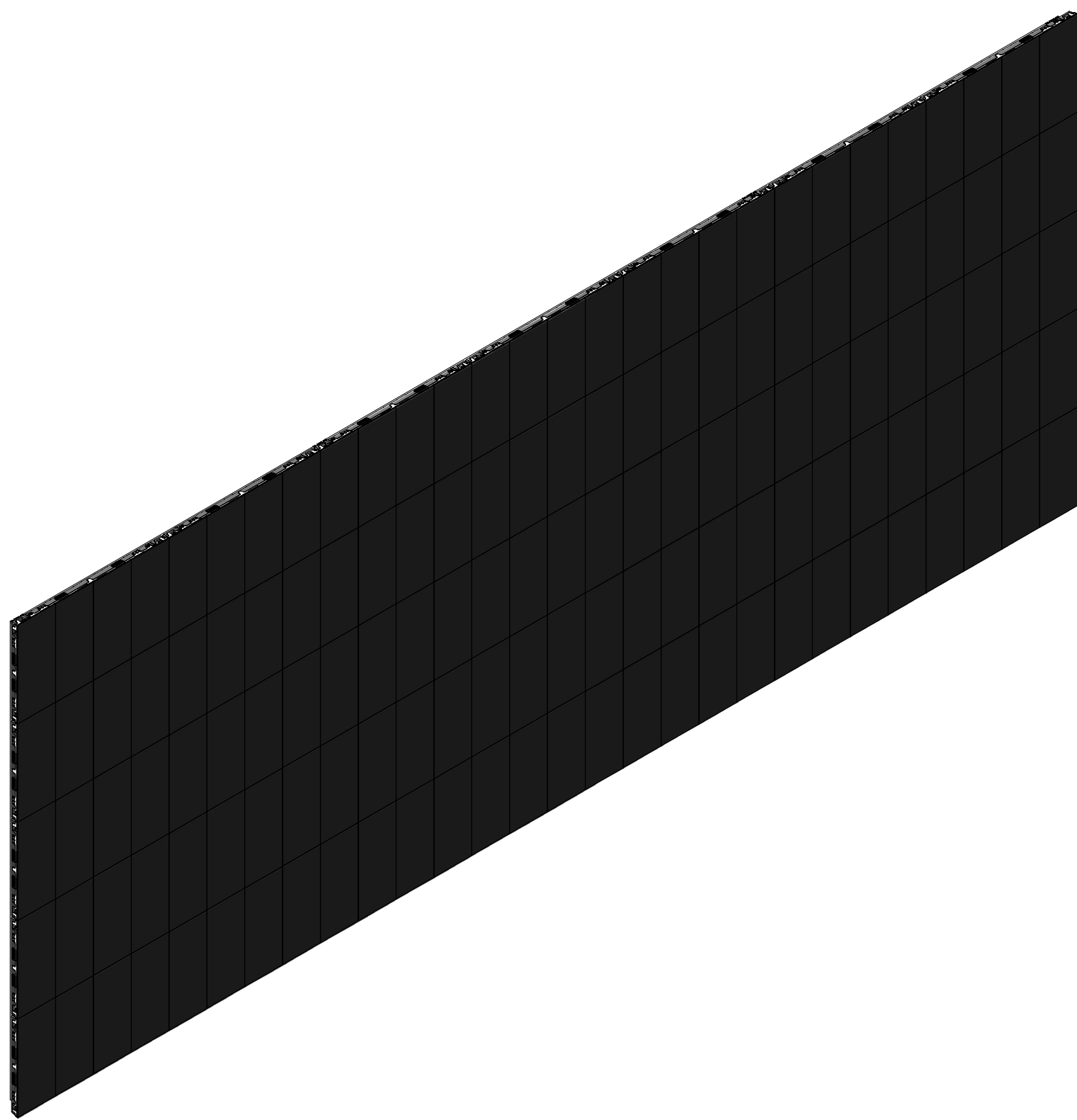
SECTION E-E
SCALE 1 : 2



SECTION F-F
SCALE 1 : 2



SECTION G-G
SCALE 1 : 2



2. Cabinet installation begins from the bottom row.

PROPRIETARY AND CONFIDENTIAL
THIS DRAWING AND THE INFORMATION AND TECHNICAL DATA CONTAINED HEREIN ARE THE EXCLUSIVE PROPERTY OF Brightlink AV LTD. AND SHALL BE RETURNED TO THEM UPON REQUEST. THIS DRAWING CONTAINS PROPRIETARY AND CONFIDENTIAL INFORMATION AND IS NOT TO BE REPRODUCED IN WHOLE OR IN PART OR DISCLOSED TO ANYONE ELSE WITHOUT THE EXPRESS WRITTEN CONSENT OF Brightlink AV LTD.

| | | | |
|---|----------------------|---------------------------|------|
| UNLESS OTHERWISE SPECIFIED: | | NAME | DATE |
| DIMENSIONS ARE IN INCHES | | DRAWN | SL |
| TOLERANCES: | | CHECKED | TE |
| FRACTIONAL: ±1/64 | | ENG APPR. | |
| ANGULAR: MACH±.5° | | MFG APPR. | |
| ONE PLACE DECIMAL ±0.1" | | Q.A. | TE |
| TWO PLACE DECIMAL ±0.01" | | COMMENTS: | |
| THREE PLACE DECIMAL ±0.005" | | 1. THIRD ANGLE PROJECTION | |
| MACHINED SURFACE 125 µin. | | | |
| INTERPRET GEOMETRIC TOLERANCING PER ASME Y14.5M - 2009. | | | |
| MATERIAL | ASSEMBLY | | |
| FINISH | | | |
| NEXT ASSY | USED ON | | |
| APPLICATION | DO NOT SCALE DRAWING | | |

| | | |
|---------------------------------------|-----------------------|--------------|
| | | |
| TITLE: LED Wall System 178"-7x5 | | |
| SIZE | DWG. NO. | REV |
| C | BL-PS-COB-LED-178-7x5 | |
| SCALE: 1:20 | WEIGHT:321 | SHEET 2 OF 2 |

4

3

2

1

D

D

C

C

B

B

A

A