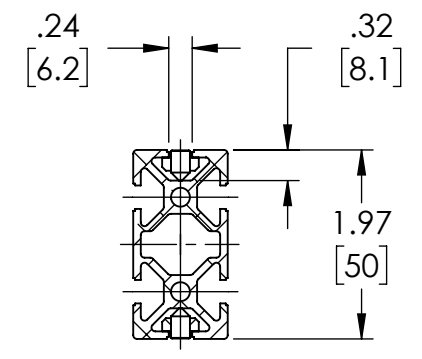
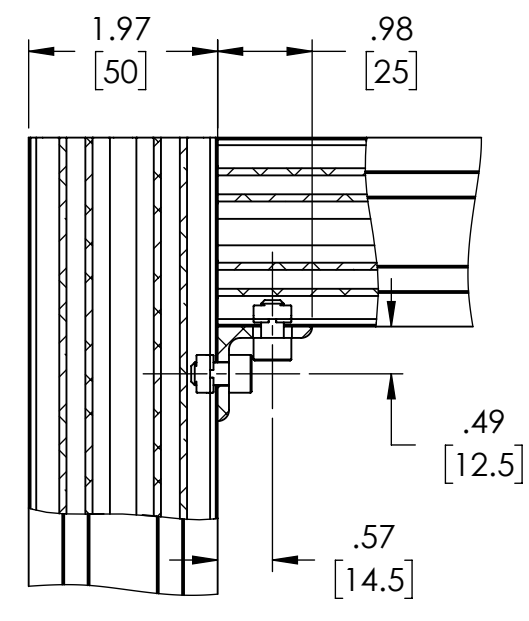


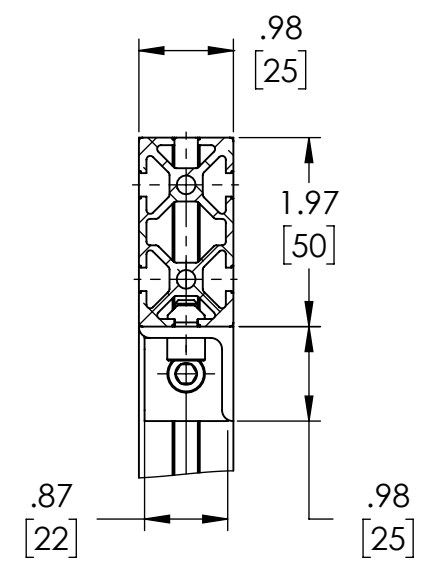
DETAIL E
SCALE 1 : 2



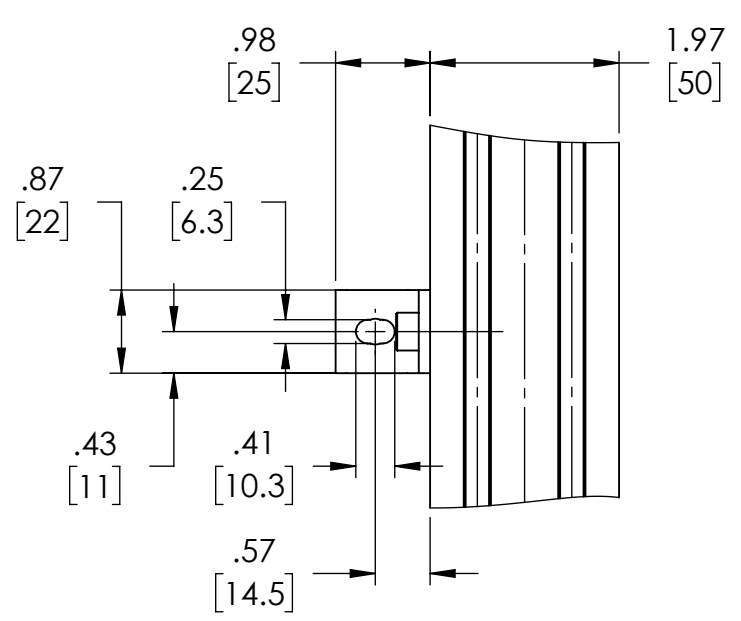
SECTION F-F
SCALE 1 : 2



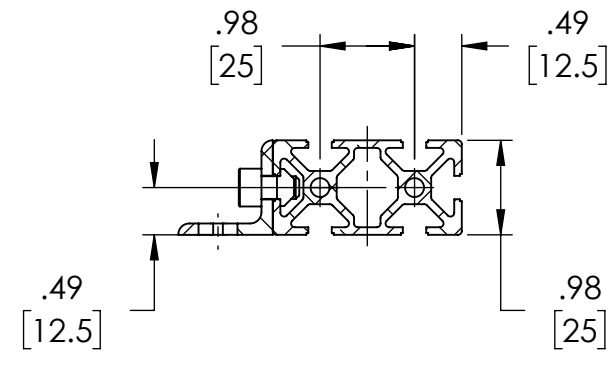
DETAIL A
SCALE 1 : 2



SECTION B-B
SCALE 1 : 2



DETAIL C
SCALE 1 : 2



SECTION D-D
SCALE 1 : 2

ITEM NO.	Part NO	Description	Material	Weight	Q-ty
8		Screw/Nut	Fastening Kit M6 For T-Slotted Framing	0.02	54
7	6174	Bracket	Bracket For T-Slotted Framing	0.02	42
6		Connector	Inside Connector For T-Slotted Framing	0.04	2
5	L=75.91"/1928mm	Profile	T-Slotted Profile OB2550A	5.31	2
4	L=67.97"/1726.5mm	Profile	T-Slotted Profile OB2550A	4.75	2
3	L=77.87"/1978mm	Profile	T-Slotted Profile OB2550A	5.44	2
2	L=49.09"/1247mm	Profile	T-Slotted Profile OB2550A	3.43	1
1	L=41.46"/1053mm	Profile	T-Slotted Profile OB2550A	2.90	2

PROPRIETARY AND CONFIDENTIAL
THIS DRAWING AND THE INFORMATION AND TECHNICAL DATA CONTAINED HEREIN ARE THE EXCLUSIVE PROPERTY OF Brightlink AV LTD. AND SHALL BE RETURNED TO THEM UPON REQUEST. THIS DRAWING CONTAINS PROPRIETARY AND CONFIDENTIAL INFORMATION AND IS NOT TO BE REPRODUCED IN WHOLE OR IN PART OR DISCLOSED TO ANYONE ELSE WITHOUT THE EXPRESS WRITTEN CONSENT OF Brightlink AV LTD.

UNLESS OTHERWISE SPECIFIED:		NAME	DATE
DIMENSIONS ARE IN INCHES		DRAWN	SL
TOLERANCES:		CHECKED	TE
FRACTIONAL: ±1/64		ENG APPR.	
ANGULAR: MACH ±.5°		MFG APPR.	
ONE PLACE DECIMAL ±0.1"		Q.A.	TE
TWO PLACE DECIMAL ±0.01"		COMMENTS:	
THREE PLACE DECIMAL ±0.005"		1. THIRD ANGLE PROJECTION	
MACHINED SURFACE 125 μin.			
INTERPRET GEOMETRIC TOLERANCING PER ASME Y14.5M - 2009.			
MATERIAL			
ASSEMBLY			
FINISH			
NEXT ASSY	USED ON		
APPLICATION		DO NOT SCALE DRAWING	

Brightlink

TITLE: LED Wall Mounting Frame 163"-6x6

SIZE DWG. NO. REV
C BL-PS-COB-LED-163-6x6_01

SCALE: 1:15 WEIGHT: 41.88 SHEET 1 OF 2

NOTES:
1. Dimensions are in inches/[mm].

D

D

C

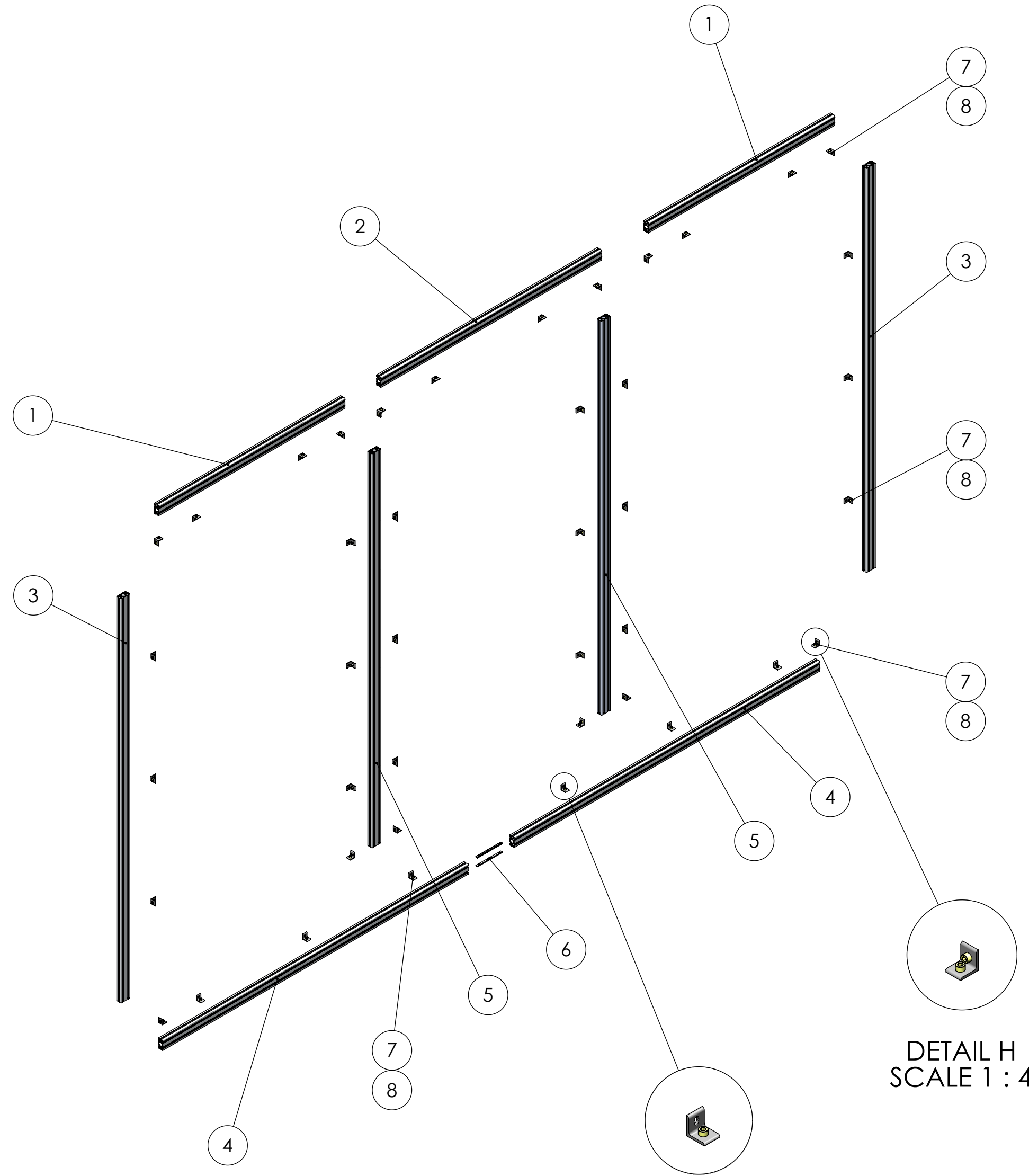
C

B

B

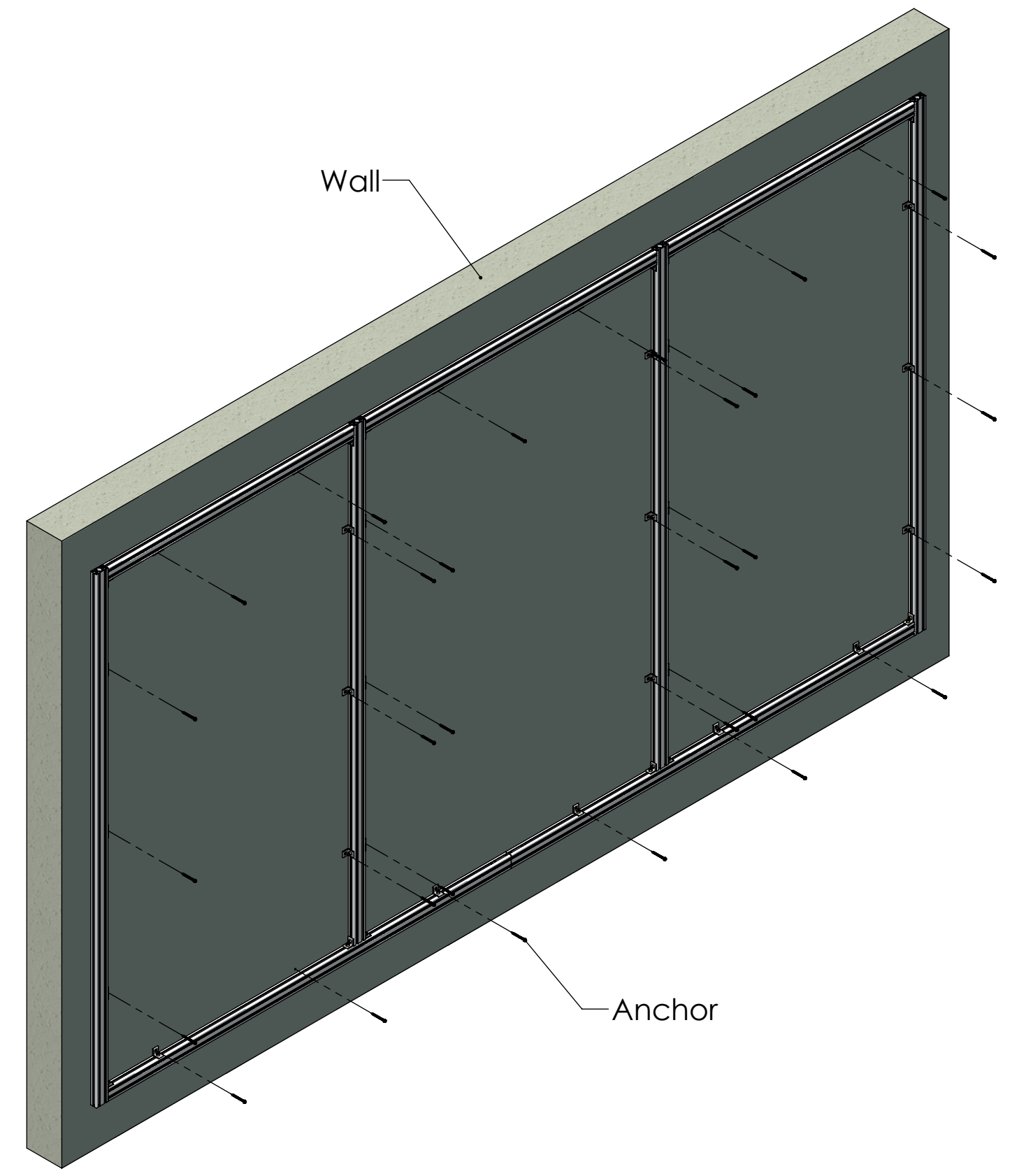
A

A



DETAIL G
SCALE 1 : 4

DETAIL H
SCALE 1 : 4



PROPRIETARY AND CONFIDENTIAL
THIS DRAWING AND THE INFORMATION AND TECHNICAL DATA CONTAINED HEREIN ARE THE EXCLUSIVE PROPERTY OF Brightlink AV LTD. AND SHALL BE RETURNED TO THEM UPON REQUEST. THIS DRAWING CONTAINS PROPRIETARY AND CONFIDENTIAL INFORMATION AND IS NOT TO BE REPRODUCED IN WHOLE OR IN PART OR DISCLOSED TO ANYONE ELSE WITHOUT THE EXPRESS WRITTEN CONSENT OF Brightlink AV LTD.

		UNLESS OTHERWISE SPECIFIED:		NAME	DATE
		DIMENSIONS ARE IN INCHES		DRAWN	SL
		TOLERANCES:		CHECKED	TE
		FRACTIONAL: ±1/64		ENG APPR.	
		ANGULAR: MACH ±.5°		MFG APPR.	
		ONE PLACE DECIMAL ±0.1"		Q.A.	TE
		TWO PLACE DECIMAL ±0.01"		COMMENTS:	
		THREE PLACE DECIMAL ±0.005"		1. THIRD ANGLE PROJECTION	
		MACHINED SURFACE 125 µin.			
		INTERPRET GEOMETRIC TOLERANCING PER ASME Y14.5M - 2009.			
NEXT ASSY		USED ON		FINISH	
APPLICATION		DO NOT SCALE DRAWING			
			Brightlink		
			TITLE: LED Wall Mounting Frame 163"-6x6		
SIZE	DWG. NO.	REV			
C	BL-PS-COB-LED-163-6x6_01				
SCALE: 1:16		WEIGHT: 41.88		SHEET 2 OF 2	

4

3

2

1

4

3

2

1

D

D

C

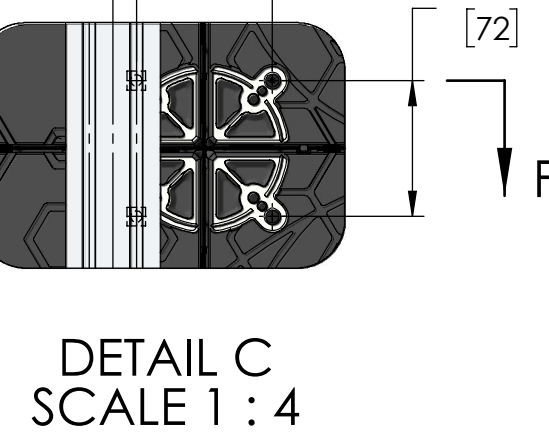
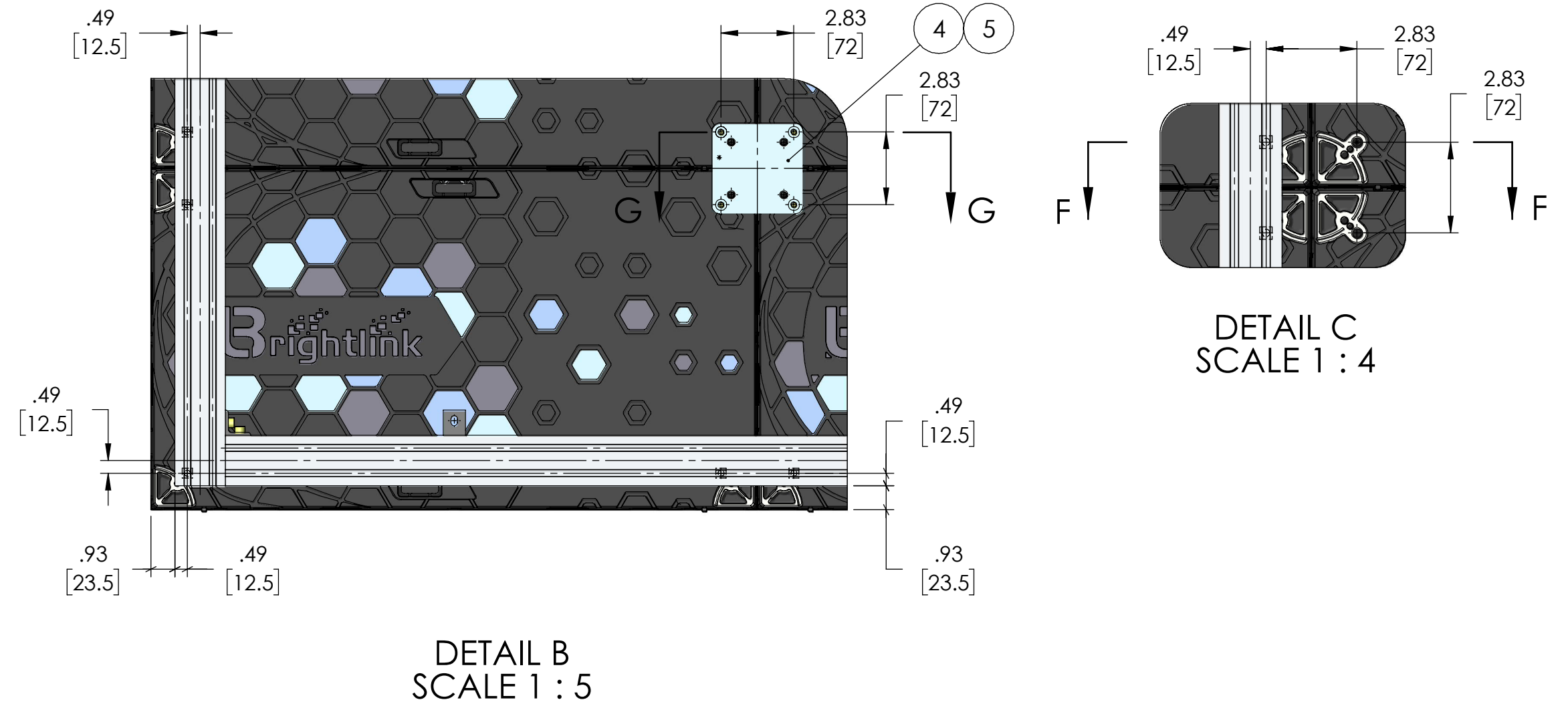
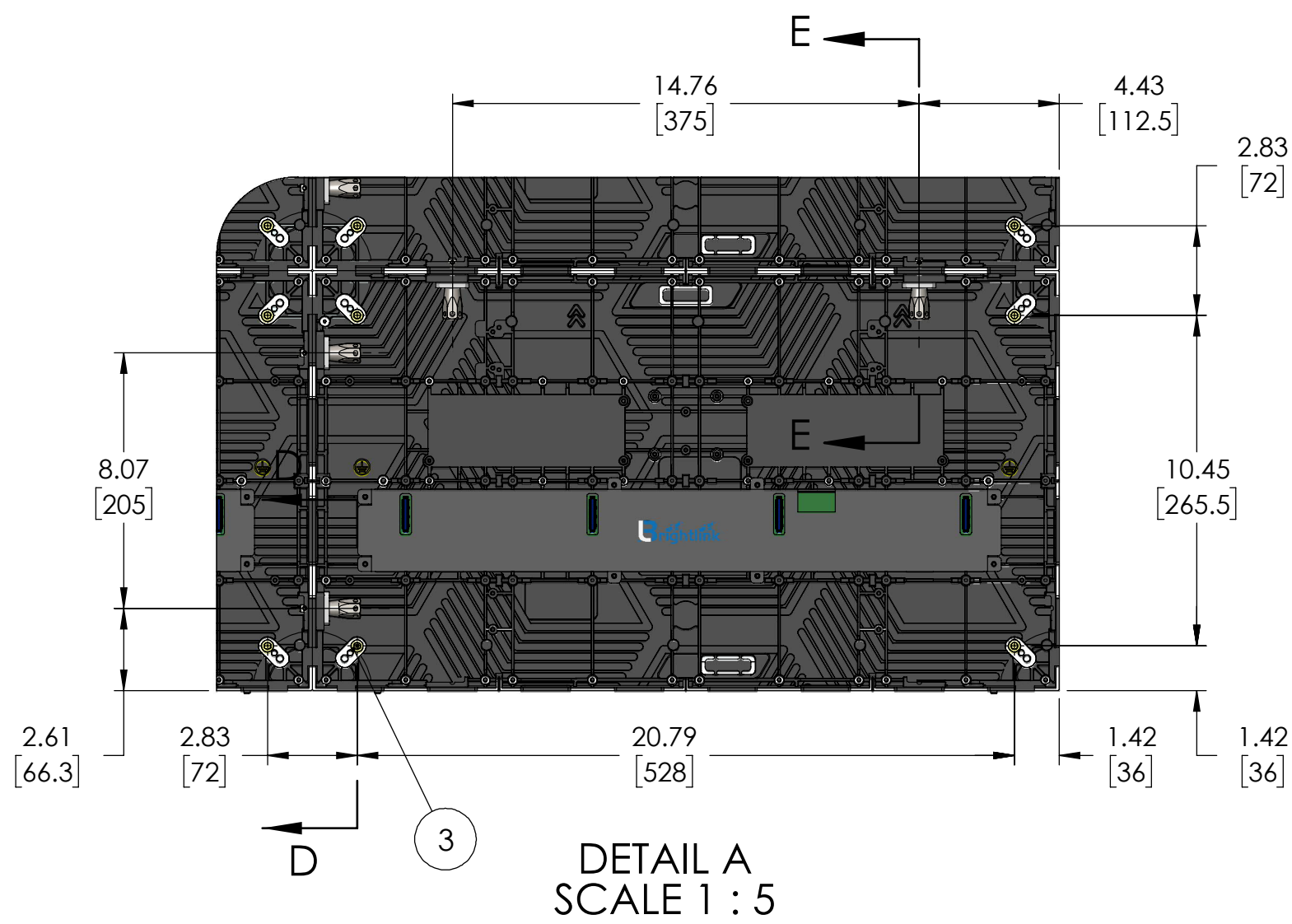
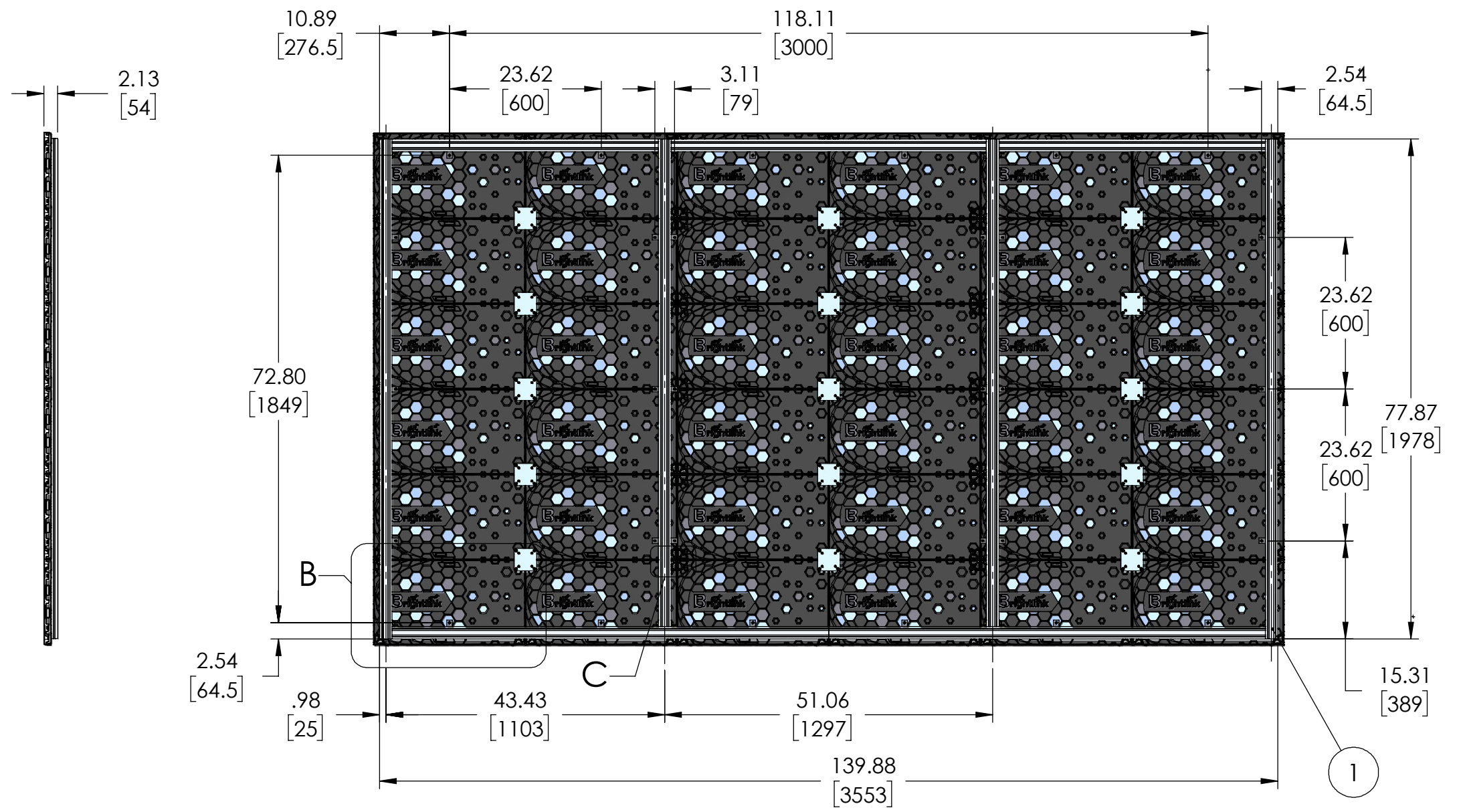
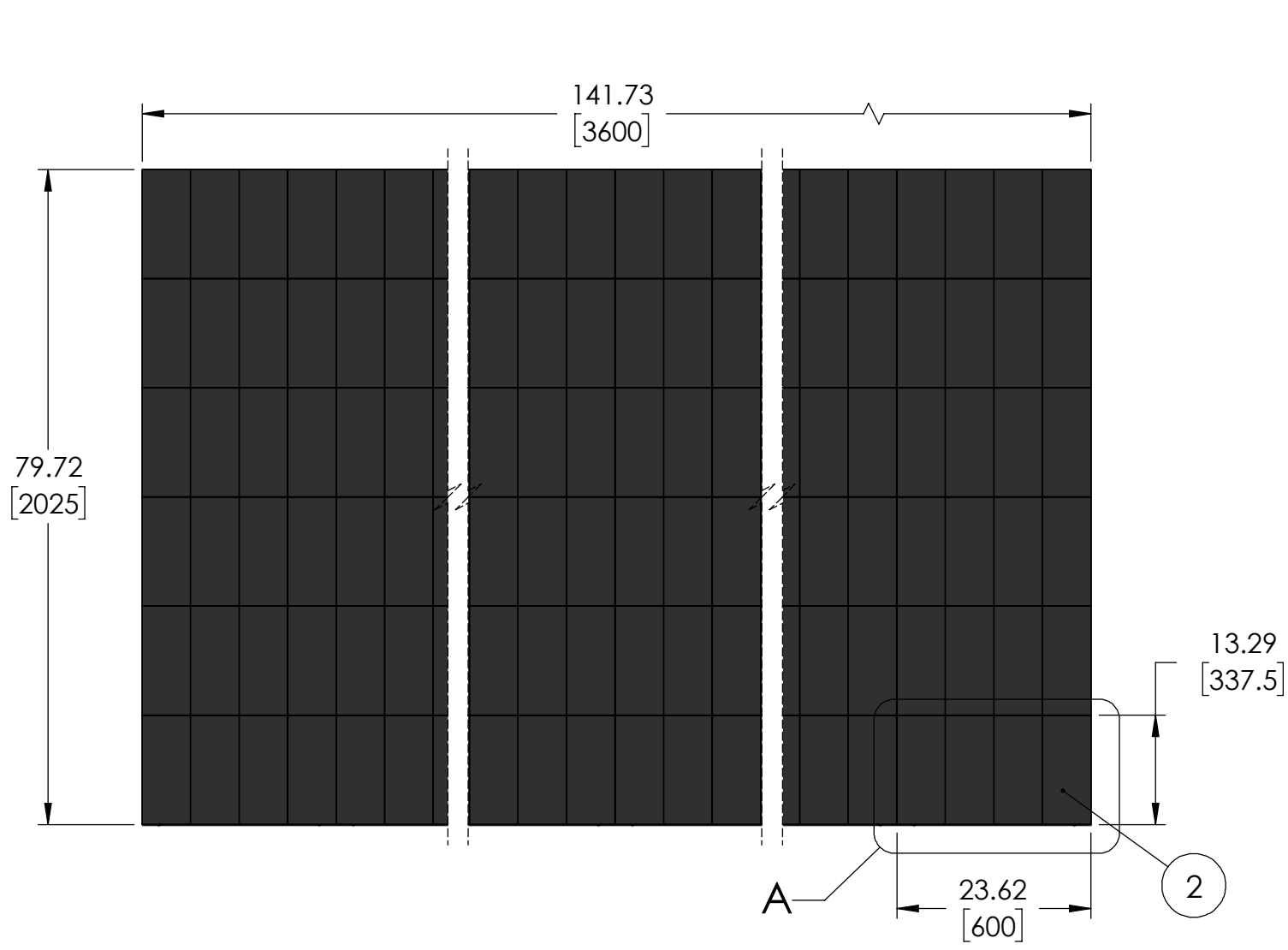
C

B

B

A

A



- NOTES:
- Dimensions are in inches/[mm].
 - Cabinet installation begins from the bottom row.

ITEM NO.	Part NO	Description	Material	Weight	Q-ty
5		Screw	SHCS M6x20	0.017	60
4		Joint Plate	Mild Steel	0.42	15
3		Screw/Nut	Fastening Kit M6 For T-Slotted Framing	0.02	64
2	BL-PS-COB-LED-CABINET	LED Cabinet 600x337.5mm		7.72	36
1	BL-PS-COB-LED-163-6x6_01	LED Wall Mounting Frame 163"-6x6	ASSEMBLY	41.88	1

PROPRIETARY AND CONFIDENTIAL
 THIS DRAWING AND THE INFORMATION AND TECHNICAL DATA CONTAINED HEREIN ARE THE EXCLUSIVE PROPERTY OF Brightlink AV LTD. AND SHALL BE RETURNED TO THEM UPON REQUEST. THE DRAWING CONTAINS PROPRIETARY AND CONFIDENTIAL INFORMATION AND IS NOT TO BE REPRODUCED IN WHOLE OR IN PART OR DISCLOSED TO ANYONE ELSE WITHOUT THE EXPRESS WRITTEN CONSENT OF Brightlink AV LTD.

UNLESS OTHERWISE SPECIFIED:	NAME	DATE
DIMENSIONS ARE IN INCHES	SL.	
TOLERANCES:	TE.	
FRACTIONAL: ±1/64		
ANGULAR: MACH±.5°		
ONE PLACE DECIMAL: ±0.1"		
TWO PLACE DECIMAL: ±0.01"		
THREE PLACE DECIMAL: ±0.005"		
MACHINED SURFACE: 125 μin.		
INTERPRET GEOMETRIC TOLERANCING PER ASME Y14.5M - 2009.	Q.A.	TE.
MATERIAL: ASSEMBLY	COMMENTS:	
FINISH:	1. THIRD ANGLE PROJECTION	
NEXT ASSY:		
USED ON:		
APPLICATION:	DO NOT SCALE DRAWING	

Brightlink

TITLE: LED Wall System 163"-6x6

SIZE DWG. NO. REV
C BL-PS-COB-LED-163-6x6

SCALE: 1:20 WEIGHT:328 SHEET 1 OF 2

4

3

2

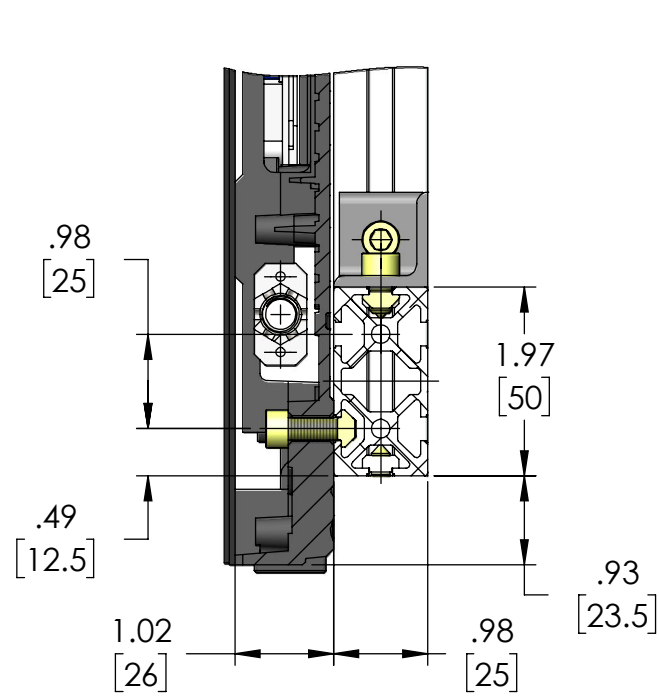
1

4

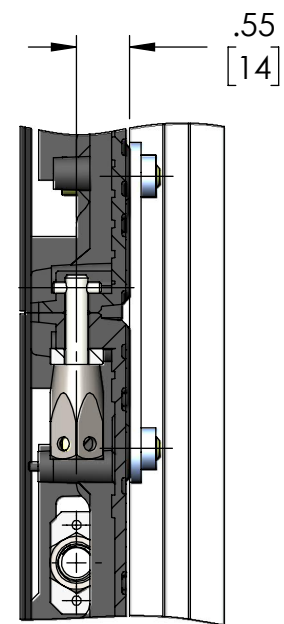
3

2

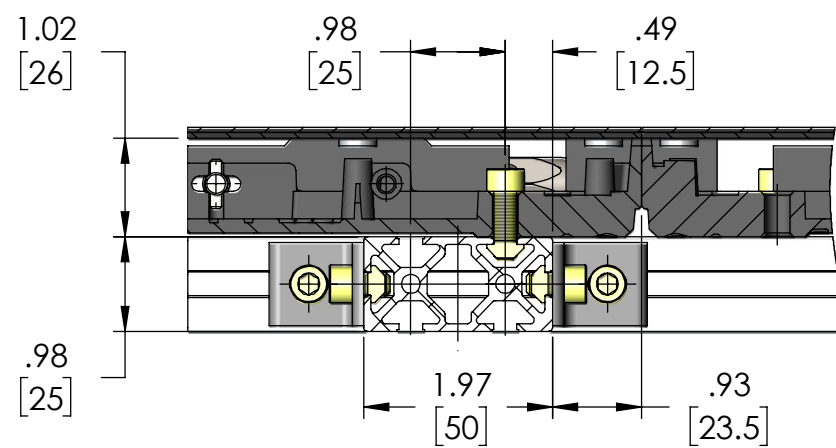
1



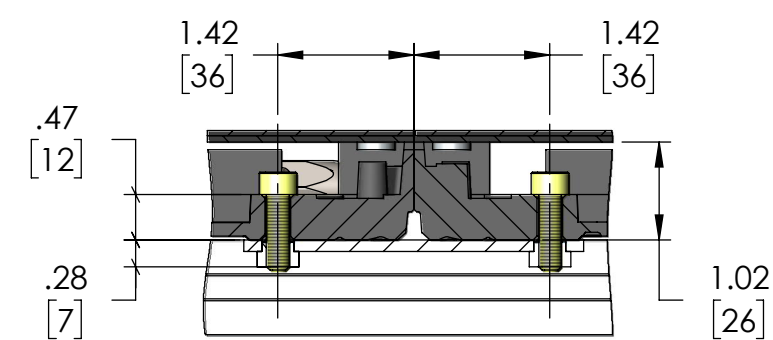
SECTION D-D
SCALE 1 : 2



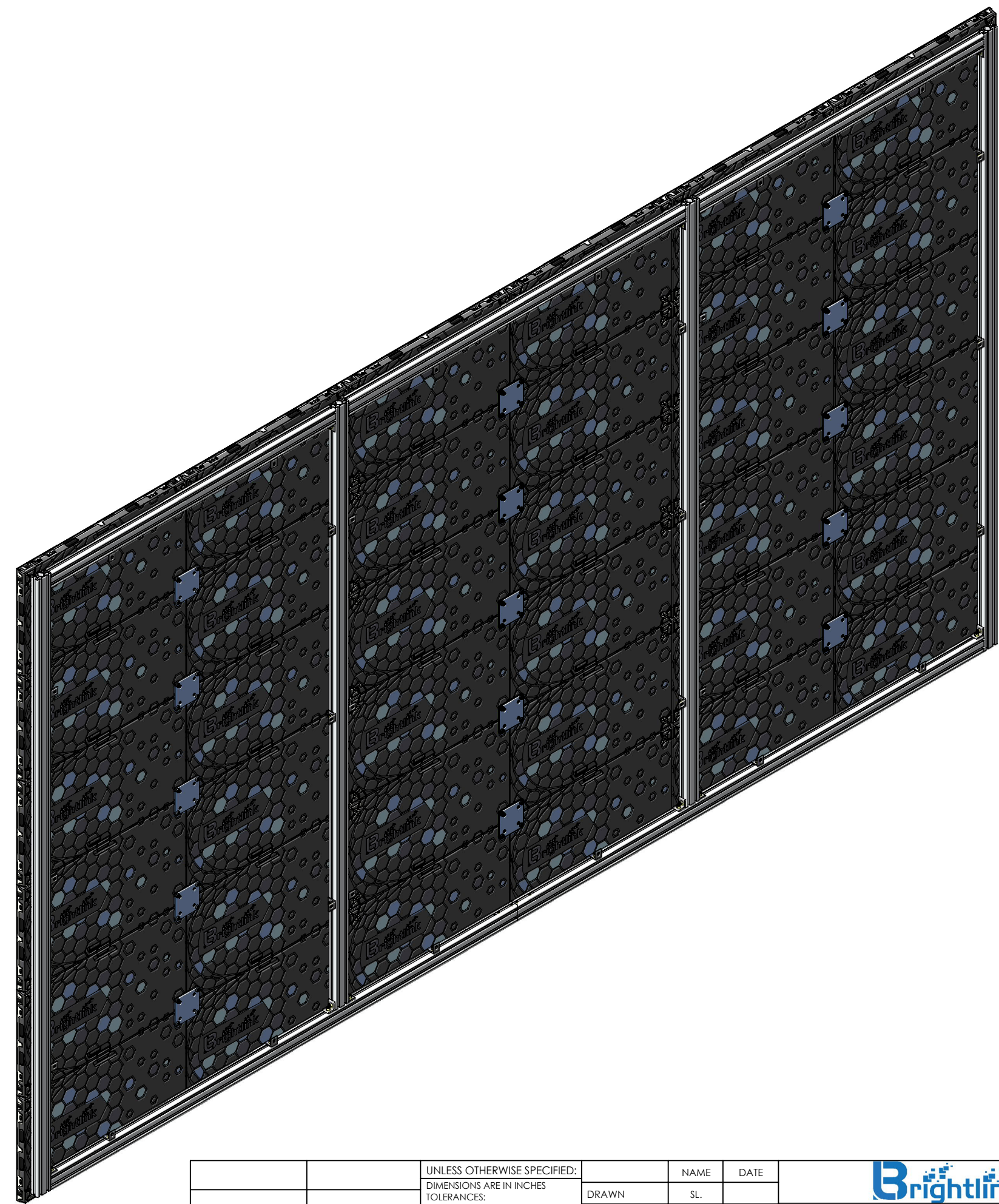
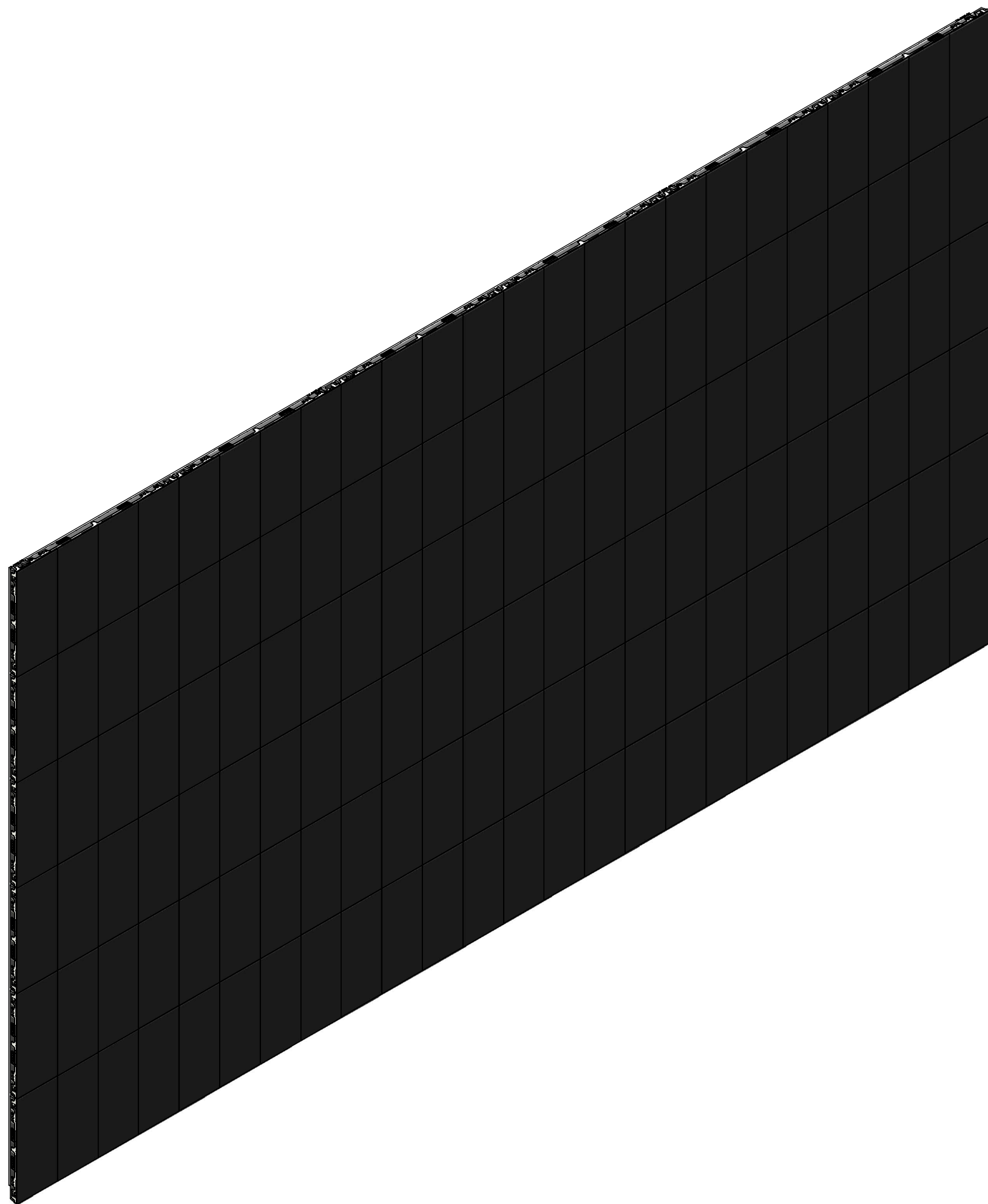
SECTION E-E
SCALE 1 : 2



SECTION F-F
SCALE 1 : 2



SECTION G-G
SCALE 1 : 2



PROPRIETARY AND CONFIDENTIAL
 THIS DRAWING AND THE INFORMATION AND TECHNICAL DATA CONTAINED HEREIN ARE THE EXCLUSIVE PROPERTY OF Brightlink AV LTD. AND SHALL BE RETURNED TO THEM UPON REQUEST. THE DRAWING CONTAINS PROPRIETARY AND CONFIDENTIAL INFORMATION AND IS NOT TO BE REPRODUCED IN WHOLE OR IN PART OR DISCLOSED TO ANYONE ELSE WITHOUT THE EXPRESS WRITTEN CONSENT OF Brightlink AV LTD.

		UNLESS OTHERWISE SPECIFIED:		NAME	DATE
		DIMENSIONS ARE IN INCHES		DRAWN	SL.
		TOLERANCES:		CHECKED	TE.
		FRACTIONAL: ± 1/64		ENG APPR.	
		ANGULAR: MACH ± .5°		MFG APPR.	
		ONE PLACE DECIMAL: ± 0.1"		Q.A.	TE.
		TWO PLACE DECIMAL: ± 0.01"		COMMENTS:	
		THREE PLACE DECIMAL: ± 0.005"		1. THIRD ANGLE PROJECTION	
		MACHINED SURFACE: 125 μm			
		INTERPRET GEOMETRIC TOLERANCING PER ASME Y14.5M - 2009.			
NEXT ASSY	USED ON	MATERIAL ASSEMBLY			
APPLICATION		FINISH			
		DO NOT SCALE DRAWING			

TITLE: LED Wall System 163"-6x6		
SIZE C	DWG. NO. BL-PS-COB-LED-163-6x6	REV
SCALE: 1:12	WEIGHT: 328	SHEET 2 OF 2

4

3

2

1

D

D

C

C

B

B

A

A