

SECTION A-A
SCALE 1:1

DETAIL B
SCALE 1:2

DETAIL C
SCALE 1:2

NOTES:
1. Dimensions are in inches/[mm].

PROPRIETARY AND CONFIDENTIAL
THIS DRAWING AND THE INFORMATION AND TECHNICAL DATA CONTAINED HEREIN ARE THE EXCLUSIVE PROPERTY OF Brightlink AV LTD AND SHALL BE RETURNED TO THEM UPON REQUEST. THE DRAWING CONTAINS PROPRIETARY AND CONFIDENTIAL INFORMATION AND IS NOT TO BE REPRODUCED IN WHOLE OR IN PART OR DISCLOSED TO ANYONE ELSE WITHOUT THE EXPRESS WRITTEN CONSENT OF Brightlink AV LTD.

1	L=39.35"/999.50mm	Mounting Profile	AL 6061	2.19	30
ITEM NO.	Part NO	Description	Material	Weight	Q-ty

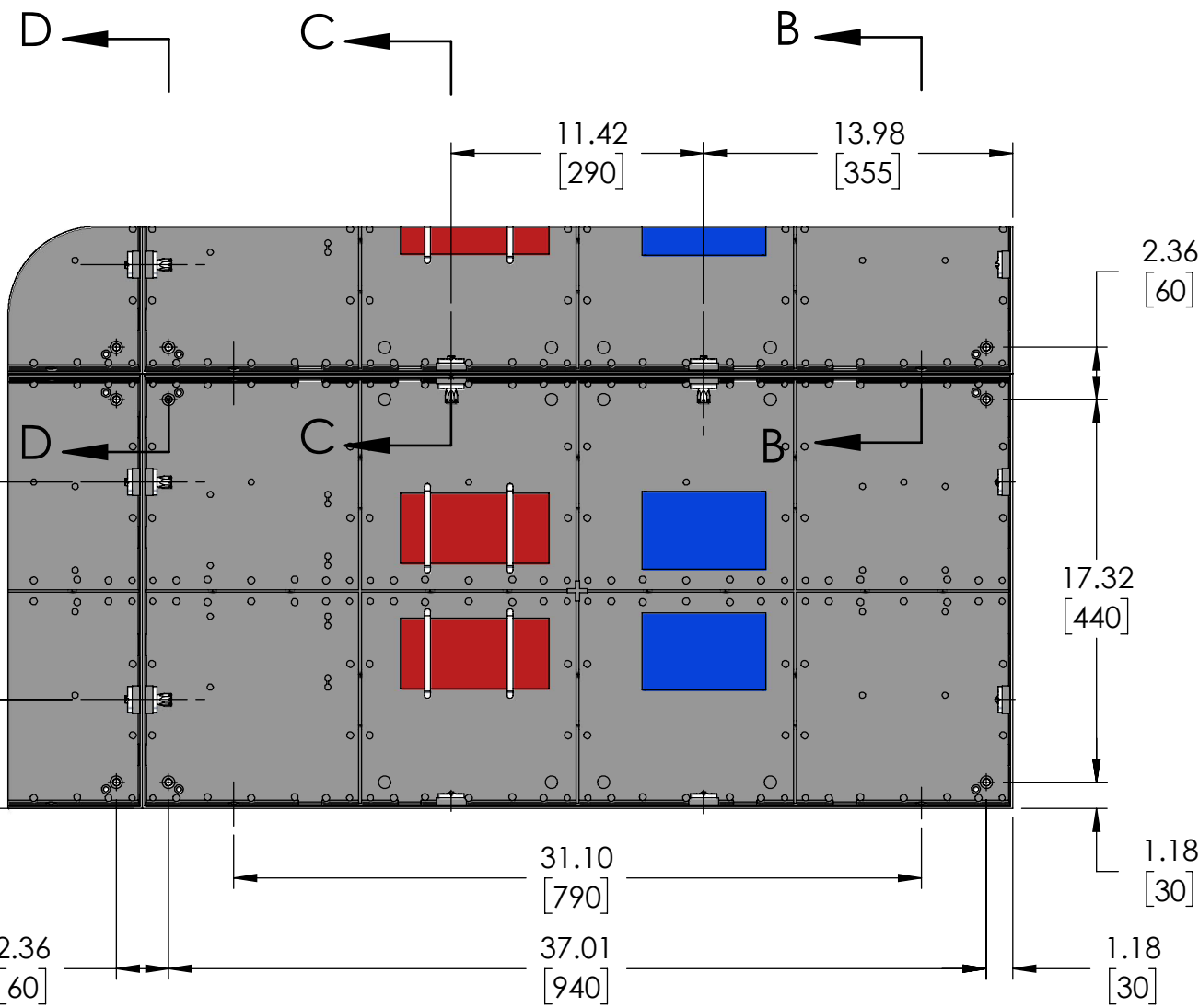
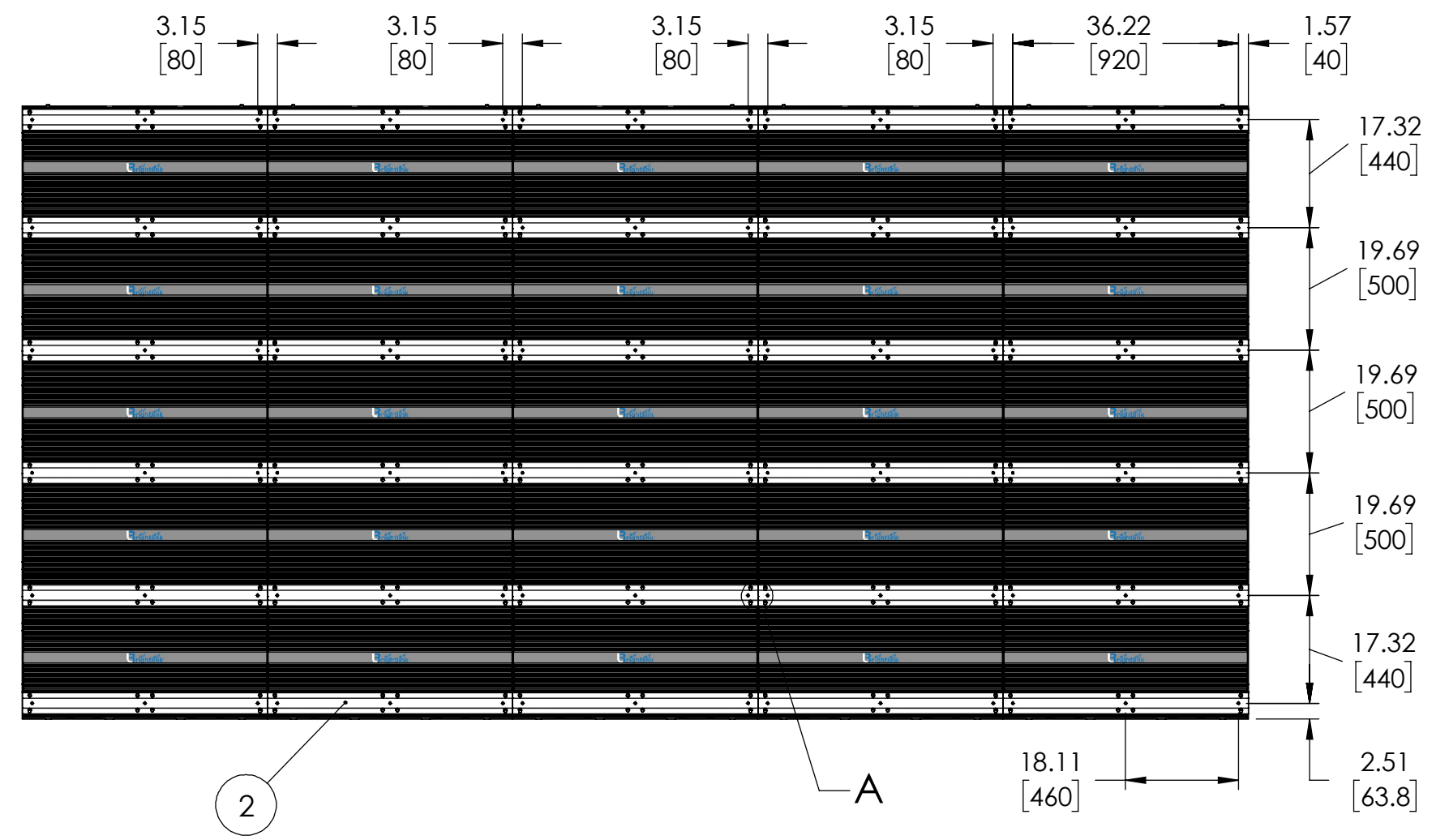
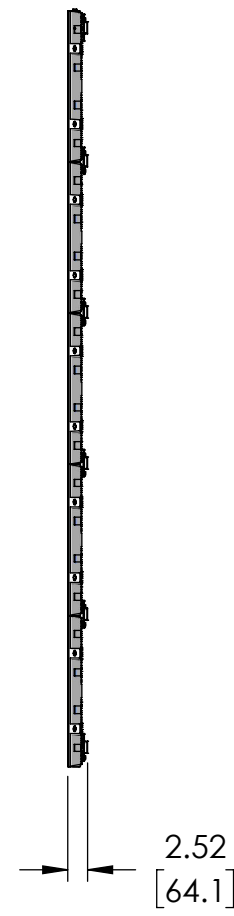
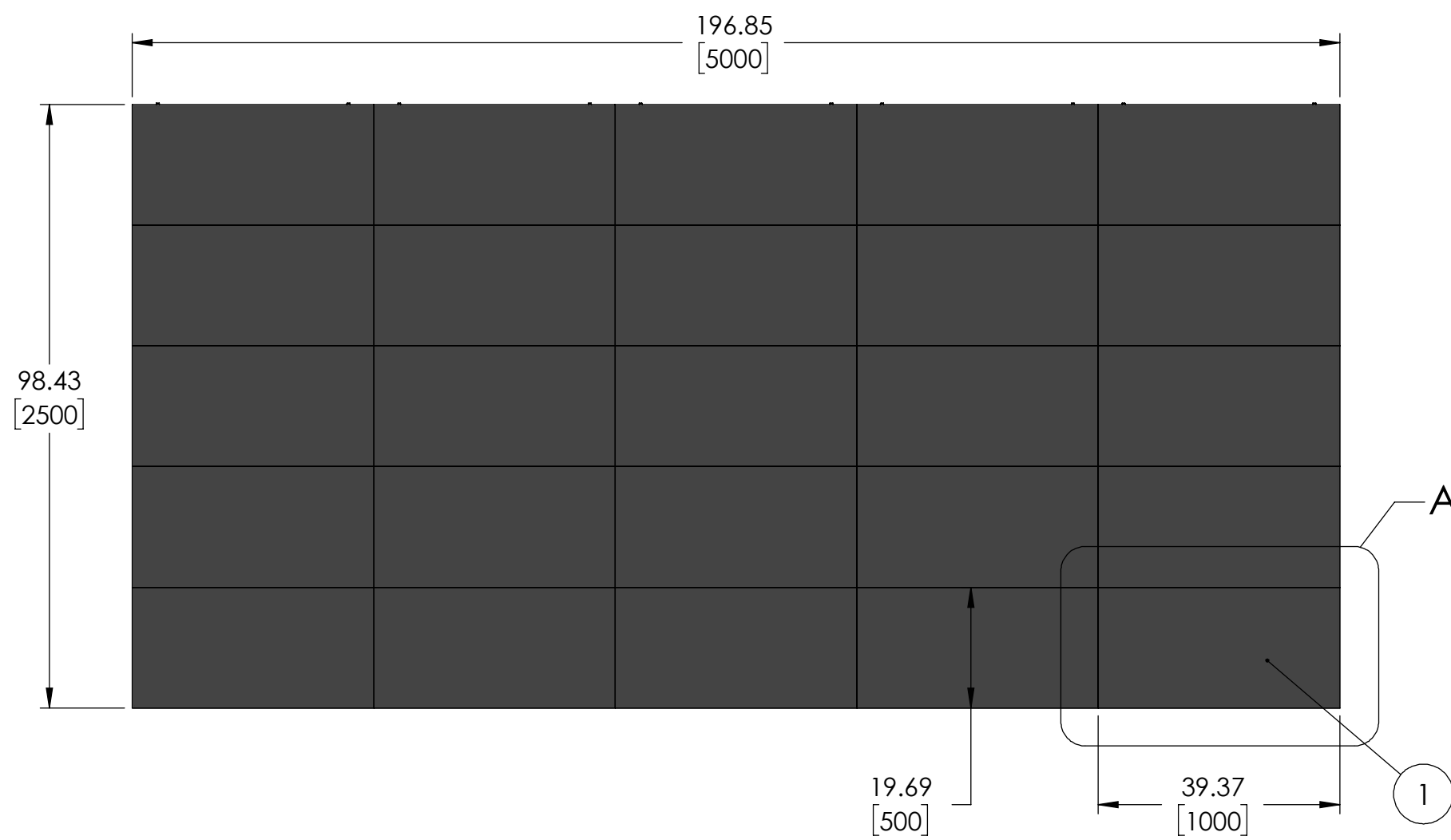
UNLESS OTHERWISE SPECIFIED: DIMENSIONS ARE IN INCHES TOLERANCES: FRACTIONAL: ±1/64 ANGULAR: MACH±.5° ONE PLACE DECIMAL: ±0.1" TWO PLACE DECIMAL: ±0.01" THREE PLACE DECIMAL: ±0.005" MACHINED SURFACE: 125 μin. INTERPRET GEOMETRIC TOLERANCING PER ASME Y14.5M - 2009.		DRAWN	SL	NAME	DATE
MATERIAL: ASSEMBLY		CHECKED	TE.	TITLE: LED Wall Mounting Profiles Installation 5X25M	
FINISH		ENG APPR.		SIZE DWG. NO. REV	
NEXT ASSY		MFG APPR.		C BL-LED-5X25M_01	
APPLICATION		Q.A.	TE.	SCALE: 1:12 WEIGHT: 65.69 SHEET 1 OF 1	
		COMMENTS: 1. THIRD ANGLE PROJECTION			

4

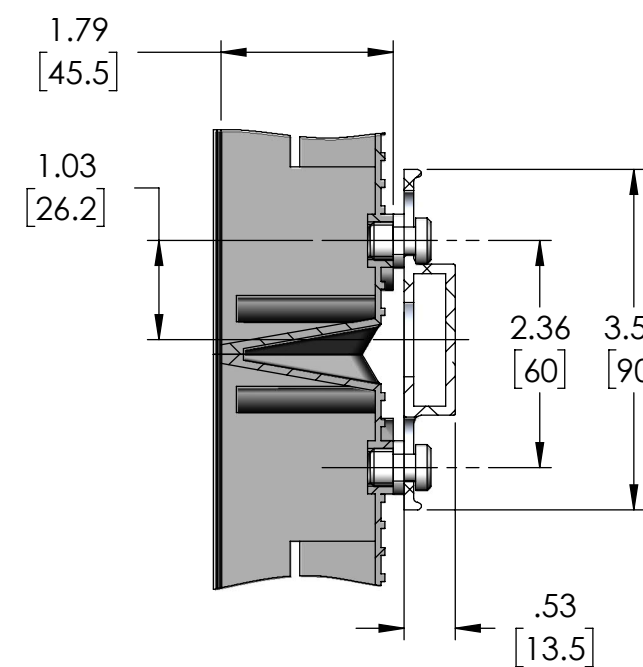
3

2

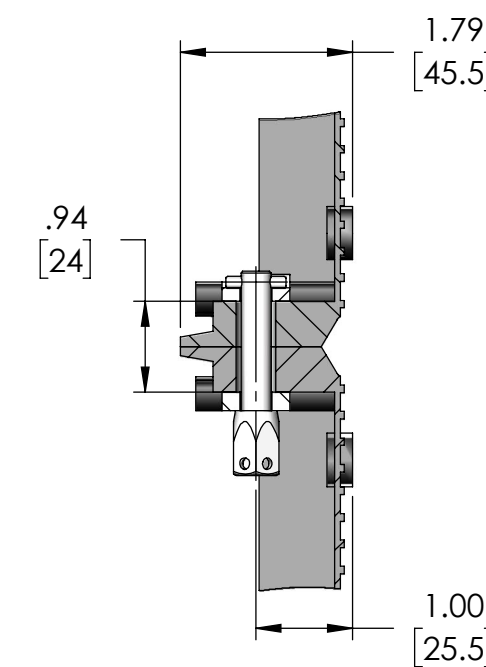
1



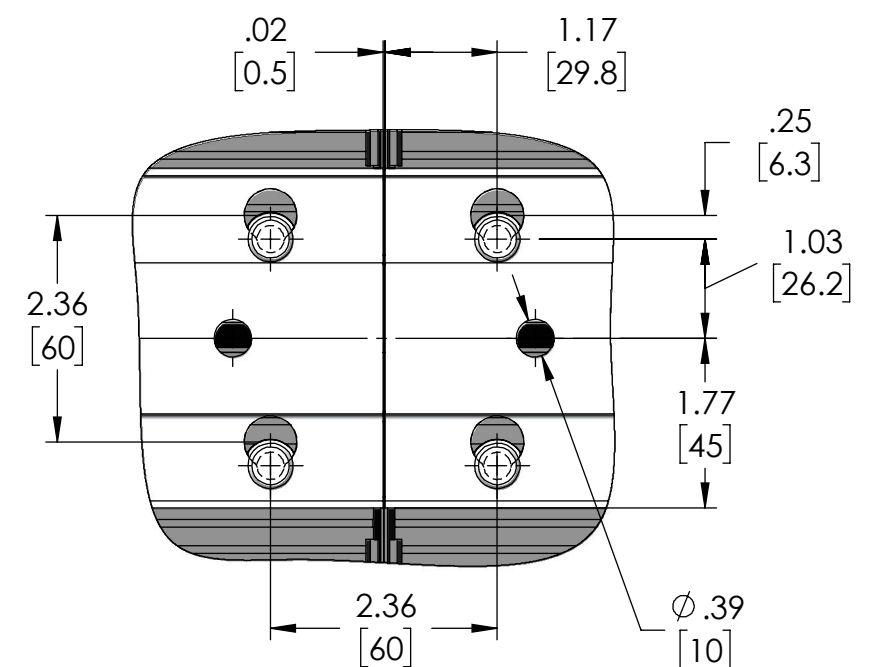
DETAIL A
SCALE 1 : 8
LED MODULES ARE NOT SHOWN



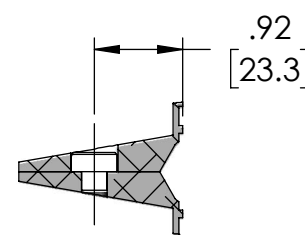
SECTION D-D
SCALE 1 : 2



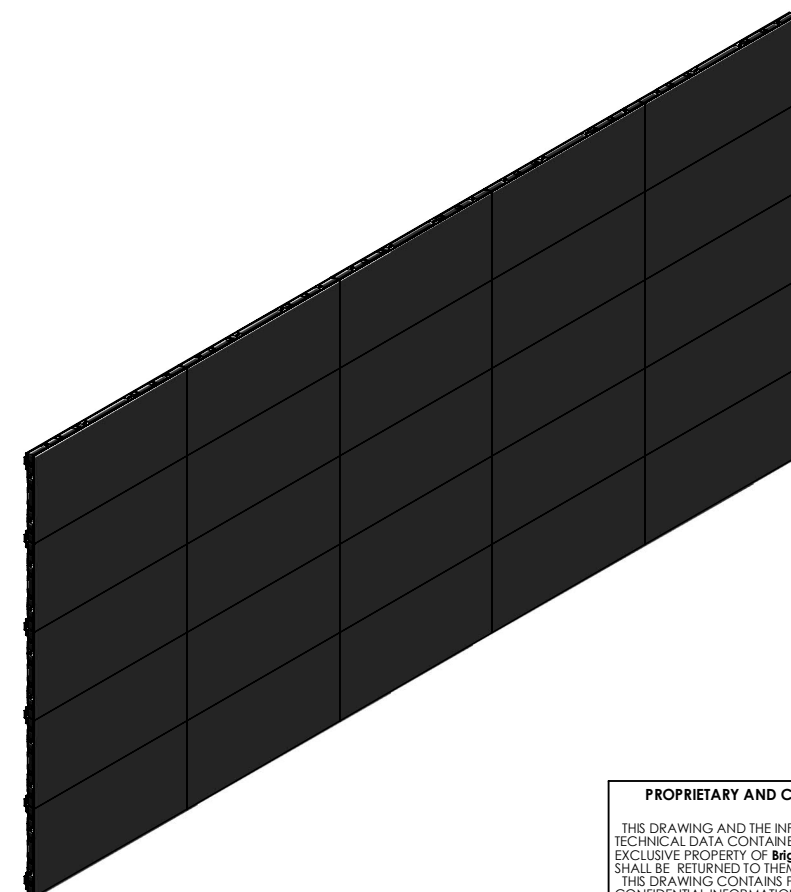
SECTION C-C
SCALE 1 : 2



DETAIL A
SCALE 1 : 2



SECTION B-B
SCALE 1 : 2



NOTES:

1. Dimensions are in inches/[mm].
2. TV installation begins from the bottom row.

ITEM NO.	Part NO	Description	Material	Weight	Q-ty
2	BL-LED-5X25M_01	LED Wall Mounting Profiles Installation 5X25M	ASSEMBLY	65.7	1
1	BL-LED-CABINET-1000X500MM	LED Cabinet 1000x500mm		14.88	25

UNLESS OTHERWISE SPECIFIED:		NAME	DATE
DIMENSIONS ARE IN INCHES		DRAWN	SL
TOLERANCES:		CHECKED	TE
FRACTIONAL: ±1/64		ENG APPR.	
ANGULAR: MACH±.5°		MFG APPR.	
ONE PLACE DECIMAL: ±0.1"		Q.A.	TE
TWO PLACE DECIMAL: ±0.01"		COMMENTS:	
THREE PLACE DECIMAL: ±0.005"		1. THIRD ANGLE PROJECTION	
MACHINED SURFACE: 125 μin.		TITLE:	
INTERPRET GEOMETRIC TOLERANCING PER ASME Y14.5M - 2009.		Brightlink	
MATERIAL: ASSEMBLY		LED Wall System 5X25M-2.6MM	
FINISH:		SIZE DWG. NO.	
NEXT ASSY		C BL-LED-5X25M-2.6MM	
USED ON:		REV	
APPLICATION:		SCALE: 1:25 WEIGHT: 437.7 SHEET 1 OF 1	
DO NOT SCALE DRAWING			

PROPRIETARY AND CONFIDENTIAL
THIS DRAWING AND THE INFORMATION AND TECHNICAL DATA CONTAINED HEREIN ARE THE EXCLUSIVE PROPERTY OF Brightlink AV LTD AND SHALL BE RETURNED TO THEM UPON REQUEST. THE DRAWING CONTAINS PROPRIETARY AND CONFIDENTIAL INFORMATION AND IS NOT TO BE REPRODUCED IN WHOLE OR IN PART OR DISCLOSED TO ANYONE ELSE WITHOUT THE EXPRESS WRITTEN CONSENT OF Brightlink AV LTD.

4

3

2

1

D

D

Wall

Anchor

C

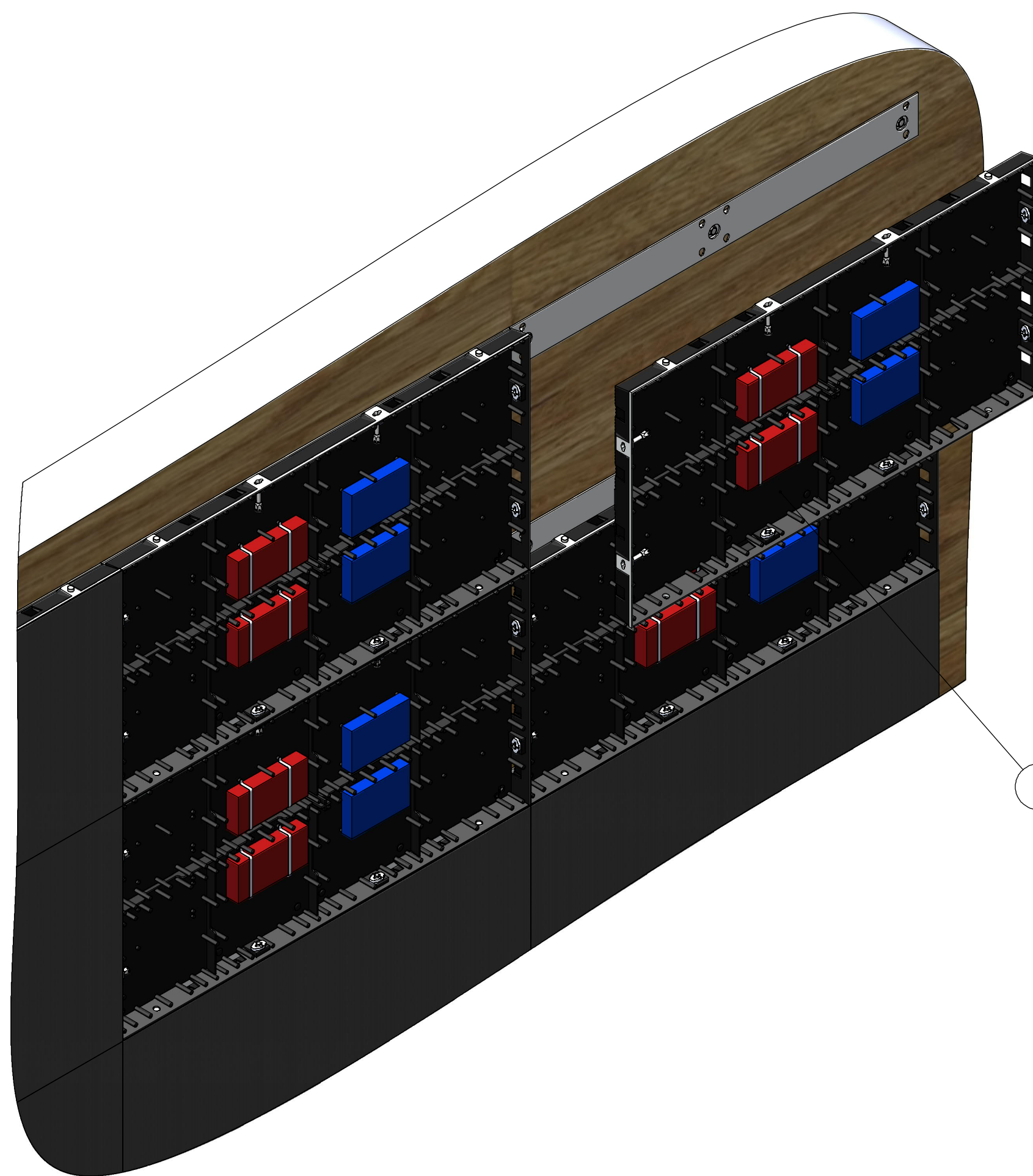
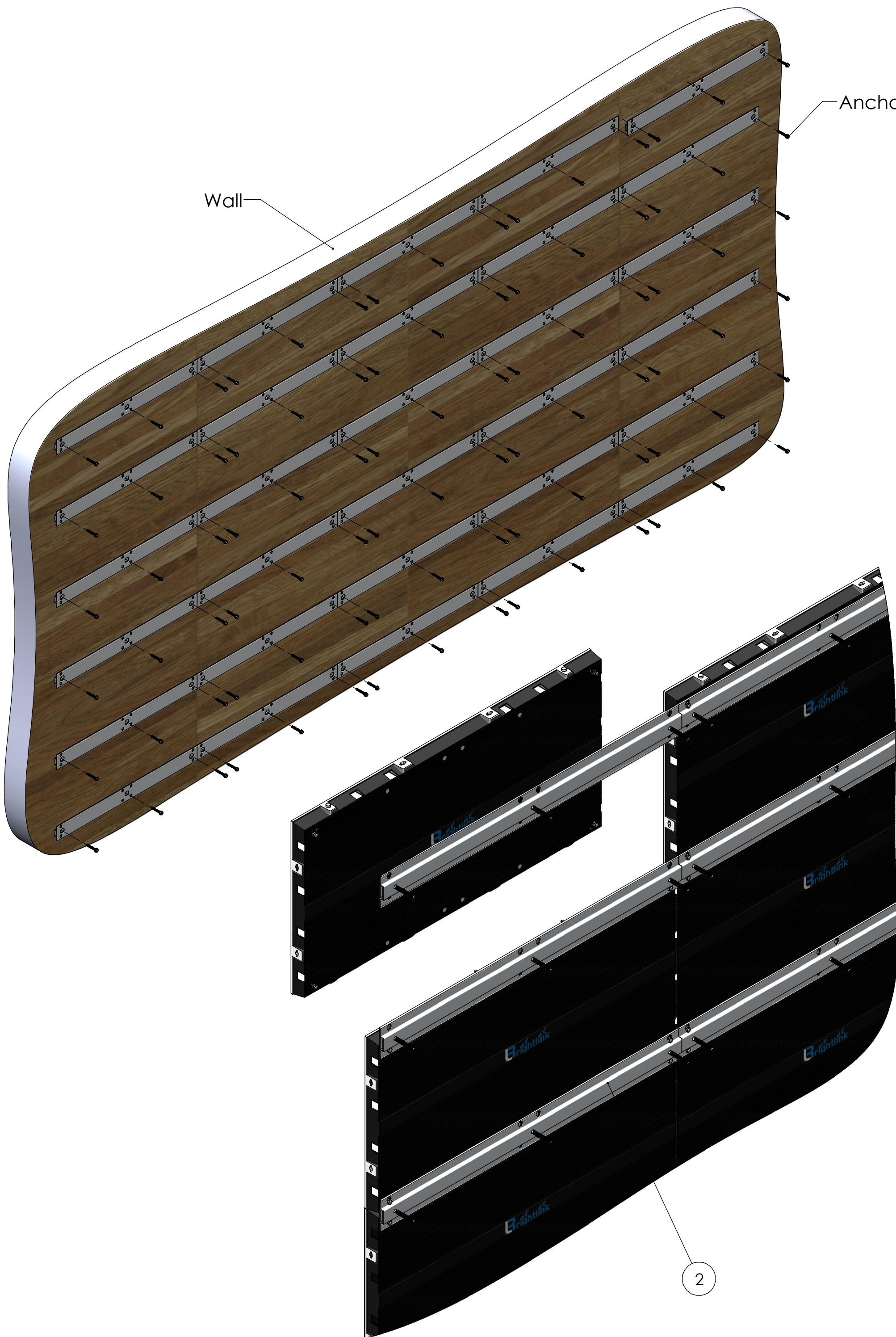
C

B

B

A

A



PROPRIETARY AND CONFIDENTIAL
 THIS DRAWING AND THE INFORMATION AND TECHNICAL DATA CONTAINED HEREIN ARE THE EXCLUSIVE PROPERTY OF Brightlink AV LTD. AND SHALL BE RETURNED TO THEM UPON REQUEST. THE DRAWING CONTAINS PROPRIETARY AND CONFIDENTIAL INFORMATION AND IS NOT TO BE REPRODUCED IN WHOLE OR IN PART OR DISCLOSED TO ANYONE ELSE WITHOUT THE EXPRESS WRITTEN CONSENT OF Brightlink AV LTD.

		UNLESS OTHERWISE SPECIFIED:		NAME	DATE
		DIMENSIONS ARE IN INCHES		DRAWN	SL
		TOLERANCES:		CHECKED	TE
		FRACTIONAL: ± 1/64		ENG APPR.	
		ANGULAR: MACH ± .5°		MFG APPR.	
		ONE PLACE DECIMAL: ± 0.1"		Q.A.	TE
		TWO PLACE DECIMAL: ± 0.01"		COMMENTS:	
		THREE PLACE DECIMAL: ± 0.005"		1. THIRD ANGLE PROJECTION	
		MACHINED SURFACE: 125 µm			
		INTERPRET GEOMETRIC TOLERANCING PER ASME Y14.5M - 2009.			
		MATERIAL: ASSEMBLY			
		FINISH:			
NEXT ASSY	USED ON				
APPLICATION		DO NOT SCALE DRAWING			

		TITLE:	
		LED Wall System 5X25M-2.6MM Installation Layout	
SIZE	DWG. NO.	REV	
C			
SCALE:	WEIGHT: 5203.45	SHEET 1 OF 1	

4

3

2

1